

# OPERATION MANUAL

---

MARINE ENGINES

***JH***

**3JH5E**

**3JH5AE**

**4JH5E**

**4JH4-TE**

**4JH4-HTE**

**en** English

**YANMAR**

**California  
Proposition 65 Warning**

Diesel engine exhaust and some of its constituents are known to the state of California to cause cancer, birth defects, and other reproductive harm.

**Disclaimers:**

All information, illustrations and specifications in this manual are based on the latest information available at the time of publishing. The illustrations used in this manual are intended as representative reference views only. Moreover, because of our continuous product improvement policy, we may modify information, illustrations and/or specifications to explain and/or exemplify a product, service or maintenance improvement. We reserve the right to make any change at any time without notice. Yanmar and **YANMAR** are registered trademarks of YANMAR CO., LTD. in Japan, the United States and/or other countries.

**All Rights Reserved:**

No part of this publication may be reproduced or used in any form by any means - graphic, electronic, or mechanical, including photocopying, recording, taping, or information storage and retrieval systems - without the written permission of YANMAR CO., LTD.

Please review and comply with the applicable laws and regulations of the international export control regimes at the territory or country where the product and manual are intended to be imported and used.

|                  |       |   |
|------------------|-------|---|
| OPERATION MANUAL | MODEL | 3JH5E, 3JH5AE, 4JH5E, 4JH4-TE, 4JH4-HTE |
|                  | CODE  | 0AJHM-EN0025                            |

# TABLE OF CONTENTS

---

|  | Page |
|--|------|
| <b>INTRODUCTION</b> .....  | 1    |
| JH SERIES EMISSION CONTROL SYSTEM<br>WARRANTY-USA, THE ENVIRONMENTAL<br>PROTECTION AGENCY (EPA) ONLY ..... | 2    |
| RECORD OF OWNERSHIP .....  | 3    |
| <b>SAFETY</b> .....  | 5    |
| <b>SAFETY PRECAUTIONS</b> .....  | 6    |
| General Information .....  | 6    |
| Before You Operate .....   | 6    |
| During Operation and Maintenance .....   | 6    |
| <b>LOCATION OF SAFETY DECALS</b> .....   | 10   |
| <b>PRODUCT OVERVIEW</b> .....  | 15   |
| <b>YANMAR JH SERIES FEATURES AND<br/>    APPLICATIONS</b> .....  | 15   |
| New Engine Break-In .....  | 16   |
| <b>COMPONENT IDENTIFICATION</b> .....  | 17   |
| Right Side (Viewed from Flywheel)<br>- 3JH5E / 3JH5AE .....  | 17   |
| Left Side (Viewed from Flywheel)<br>- 3JH5E / 3JH5AE .....   | 17   |
| Right Side (Viewed from Flywheel) - 4JH5E .....  | 18   |
| Left Side (Viewed from Flywheel) - 4JH5E .....   | 18   |
| Right Side (Viewed from Flywheel) - 4JH4-TE ..   | 19   |
| Left Side (Viewed from Flywheel) - 4JH4-TE ..  | 19   |
| Right Side (Viewed from Flywheel) - 4JH4-HTE   | 20   |
| Left Side (Viewed from Flywheel) - 4JH4-HTE ..   | 20   |

# TABLE OF CONTENTS

---

|  |           |
|--|-----------|
| NAMEPLATES .....                         | 21        |
| FUNCTION OF MAJOR COMPONENTS.....        | 22        |
| CONTROL EQUIPMENT.....                   | 23        |
| Instrument Panel (Optional) .....        | 23        |
| Single-Lever Remote Control Handle ..... | 31        |
| <b>BEFORE YOU OPERATE .....</b>          | <b>33</b> |
| INTRODUCTION.....                        | 33        |
| SAFETY PRECAUTIONS.....                  | 33        |
| DIESEL FUEL.....                         | 34        |
| Diesel Fuel Specifications .....         | 34        |
| Filling the Fuel Tank.....               | 37        |
| Bleeding the Fuel System .....           | 38        |
| ENGINE OIL .....                         | 39        |
| Engine Oil Specifications .....          | 39        |
| Engine Oil Viscosity .....               | 40        |
| Checking the Engine Oil.....             | 40        |
| Adding Engine Oil .....                  | 40        |
| MARINE GEAR OR SAIL DRIVE OIL .....      | 41        |
| Marine Gear Oil Specifications.....      | 41        |
| Sail Drive Oil Specifications .....      | 41        |
| Checking Marine Gear Oil.....            | 42        |
| Adding Marine Gear Oil.....              | 42        |
| Checking and Adding Sail Drive Oil ..... | 42        |
| ENGINE COOLANT .....                     | 43        |
| Engine Coolant Specifications .....      | 43        |
| Coolant (Closed Cooling System).....     | 43        |
| Checking and Adding Coolant.....         | 44        |
| CRANKING THE ENGINE.....                 | 47        |
| <b>ENGINE OPERATION.....</b>             | <b>49</b> |
| INTRODUCTION.....                        | 49        |
| SAFETY PRECAUTIONS.....                  | 49        |
| STARTING THE ENGINE .....                | 51        |
| If the Engine Fails to Start.....        | 52        |
| Starting at Low Temperatures.....        | 52        |
| After the Engine has Started .....       | 53        |
| REMOTE CONTROL HANDLE OPERATION.....     | 54        |
| Acceleration and Deceleration .....      | 54        |
| Shifting the Engine .....                | 54        |
| Switching to Trolling (KMH4A Only).....  | 54        |
| CAUTIONS DURING OPERATION.....           | 55        |

|  |    |
|--|----|
| SHUTTING DOWN THE ENGINE .....   | 57 |
| Normal Shutdown .....  | 57 |
| Emergency Shutdown .....   | 58 |
| CHECKING THE ENGINE AFTER OPERATION ...                                  | 58 |
| <b>PERIODIC MAINTENANCE</b> .....  | 59 |
| INTRODUCTION.....  | 59 |
| SAFETY PRECAUTIONS .....   | 59 |
| PRECAUTIONS .....  | 61 |
| The Importance of Periodic Maintenance .....                             | 61 |
| Performing Periodic Maintenance .....                                    | 61 |
| The Importance of Daily Checks .....                                     | 61 |
| Keep a Log of Engine Hours and Daily Checks .....                        | 61 |
| Yanmar Replacement Parts .....   | 61 |
| Tools Required .....   | 61 |
| Ask Your Authorized Yanmar Marine Dealer or<br>Distributor for Help..... | 61 |
| Tightening Fasteners .....   | 62 |
| EPA MAINTENANCE REQUIREMENTS.....  | 63 |
| EPA Requirements for USA and Other<br>Applicable Countries.....          | 63 |
| Environmental Condition for<br>operation and maintenance .....           | 64 |
| Inspection and Maintenance.....  | 65 |
| Installation of Exhaust Sampling Port.....                               | 65 |
| PERIODIC MAINTENANCE SCHEDULE .....                                      | 66 |
| Inspection and Maintenance of<br>EPA Emission-Related Parts .....        | 69 |
| PERIODIC MAINTENANCE PROCEDURES .....                                    | 70 |
| Daily Checks.....  | 70 |
| After Initial 50 Hours of Operation .....                                | 71 |
| Every 50 Hours of Operation .....  | 76 |
| Every 250 Hours of Operation .....                                       | 79 |
| Every 500 Hours of Operation .....                                       | 87 |
| Every 1000 Hours of Operation .....                                      | 87 |
| <b>TROUBLESHOOTING</b> .....   | 89 |
| SAFETY PRECAUTIONS .....   | 89 |
| TROUBLESHOOTING AFTER STARTING .....                                     | 89 |
| TROUBLESHOOTING INFORMATION.....   | 90 |
| TROUBLESHOOTING CHART.....   | 91 |
| <b>LONG-TERM STORAGE</b> .....   | 93 |
| PREPARE ENGINE FOR LONG-TERM STORAGE .....                               | 93 |
| DRAIN SEAWATER COOLING SYSTEM .....                                      | 94 |
| RETURNING THE ENGINE TO SERVICE .....                                    | 96 |

# TABLE OF CONTENTS

---

|   |     |
|---|-----|
| <b>SPECIFICATIONS</b> .....   | 97  |
| <b>PRINCIPAL ENGINE SPECIFICATIONS</b> .....                                | 97  |
| 3JH5E / 3JH5AE Engines .....  | 98  |
| 3JH5E / 3JH5AE Marine Gears .....   | 99  |
| 4JH5E Engine .....  | 100 |
| 4JH5E Marine Gear or Sail Drive .....                                       | 102 |
| 4JH4-TE Engine .....  | 103 |
| 4JH4-HTE Engine .....   | 104 |
| 4JH4-TE and 4JH4-HTE<br>Marine Gear or Sail Drive .....                     | 105 |
| <b>SYSTEM DIAGRAMS</b> .....  | 107 |
| <b>PIPING DIAGRAMS</b> .....  | 107 |
| <b>WIRING DIAGRAMS</b> .....  | 137 |
| <b>WARRANTY USA ONLY</b> .....  | 143 |
| YANMAR CO., LTD. LIMITED EMISSION<br>CONTROL SYSTEM WARRANTY - USA ONLY ... | 143 |
| <b>YANMAR EMISSION CONTROL SYSTEM<br/>WARRANTY STATEMENT</b> .....          | 145 |
| <b>YOUR WARRANTY RIGHTS AND<br/>    OBLIGATIONS:</b> .....                  | 145 |
| Yanmar's warranty coverage: .....   | 145 |
| Warranted Parts: .....  | 146 |
| Exclusions: .....   | 146 |
| Owners Warranty Responsibilities: .....                                     | 147 |
| Customer Assistance: .....  | 147 |
| Maintenance Log .....   | 148 |

# INTRODUCTION

---

Welcome to the world of Yanmar Marine! Yanmar Marine offers engines, drive systems and accessories for all types of boats, from runabouts to sailboats, and from cruisers to mega yachts. In marine leisure boating, the worldwide reputation of Yanmar Marine is second to none. We design our engines to respect nature. This means quieter engines, with minimal vibrations, cleaner than ever. All of our engines meet applicable regulations, including emissions, at the time of manufacture.

To help you enjoy your Yanmar JH series engine for many years to come, please follow these recommendations:

- Read and understand this *Operation Manual* before you operate the machine to ensure that you follow safe operating practices and maintenance procedures.
- Keep this *Operation Manual* in a convenient place for easy access.
- If this *Operation Manual* is lost or damaged, order a new one from your authorized Yanmar Marine dealer or distributor.
- Make sure this manual is transferred to subsequent owners. This manual should be considered a permanent part of the engine and remain with it.
- Constant efforts are made to improve the quality and performance of Yanmar products, so some details included in this *Operation Manual* may differ slightly from your engine. If you have any questions about these differences, please consult your authorized Yanmar Marine dealer or distributor.
- The specifications and components (instrument panel, fuel tank, etc.) described in this manual may differ from ones installed on your vessel. Please refer to the manual provided by the manufacturer of these components.
- Refer to the Yanmar Limited Warranty Handbook for a complete warranty description.

# JH SERIES EMISSION CONTROL SYSTEM WARRANTY-USA, THE ENVIRONMENTAL PROTECTION AGENCY (EPA) ONLY

3JH5AE engine comes with an emission control system warranty. In all states, compression-ignition engines manufactured in 2015 and onwards must be designed, built, and equipped to meet the United States EPA emission control standards. YANMAR warrants the emission control system on your 3JH5AE engine.

Note: *From 2012, the 4JH4-HTE engine does not comply with the EPA emission control standards.*

*From 2014, the 3JH5E, 4JH5E, and 4JH4-TE engines do not comply with the EPA emission control standards.*



## RECORD OF OWNERSHIP

Take a few moments to record the information you need when you consult Yanmar for service, parts or documentation.

Engine Model: \_\_\_\_\_

Engine Serial No.: \_\_\_\_\_

Date Purchased: \_\_\_\_\_

Dealer: \_\_\_\_\_

Dealer Phone: \_\_\_\_\_

**This Page Intentionally Left Blank**

# SAFETY

---

Yanmar considers safety of great importance and recommends that anyone that comes into close contact with its products, such as those who install, operate, maintain or service Yanmar products, exercise care, common sense and comply with the safety information in this manual and on the machine's safety decals. Keep the labels from becoming dirty or torn and replace them if they are lost or damaged. Also, if you need to replace a part that has a label attached to it, make sure you order the new part and label at the same time.



This safety alert symbol appears with most safety statements. It means attention, become alert, your safety is involved! Please read and abide by the message that follows the safety alert symbol.

## DANGER

Indicates a hazardous situation which, if not avoided, *will* result in death or serious injury.

## WARNING

Indicates a hazardous situation which, if not avoided, *could* result in death or serious injury.

## CAUTION

Indicates a hazardous situation which, if not avoided, *could* result in minor or moderate injury.

## NOTICE

Indicates a situation which can cause damage to the machine, personal property and / or the environment, or cause the equipment to operate improperly.

## SAFETY PRECAUTIONS

### General Information

There is no substitute for common sense and careful practices. Improper practices or carelessness can cause burns, cuts, mutilation, asphyxiation, other bodily injury or death. This information contains general safety precautions and guidelines that must be followed to reduce risk to personal safety. Special safety precautions are listed in specific procedures. Read and understand all of the safety precautions before operation or performing repairs or maintenance.

### Before You Operate

#### DANGER

The safety messages that follow have DANGER level hazards.



Never permit anyone to install or operate the engine without proper training.

Read and understand this *Operation Manual* before you operate or service the engine to ensure that you follow safe operating practices and maintenance procedures.

- Safety signs and labels are additional reminders for safe operating and maintenance techniques.
- Consult authorized Yanmar Marine dealer or distributor for additional training.

### During Operation and Maintenance

#### WARNING

The safety messages that follow have WARNING level hazards.

#### Explosion Hazard



While the engine is running or the battery is charging, hydrogen gas is being produced and can be easily ignited. Keep the area around the battery well-ventilated and keep sparks, open flames and any other form of ignition out of the area.

#### Fire and Explosion Hazard

Diesel fuel is flammable and explosive under certain conditions.

Never use a shop rag to catch the fuel.

Wipe up all spills immediately.

Never refuel with the engine running.

#### Fire Hazard



Undersized wiring systems can cause an electrical fire.

Store any containers containing fuel or other flammable products in a well-ventilated area, away from any combustibles or source of ignition.

Store any equipment in a designated area away from moving parts.

Never use the engine compartment for storage.

**WARNING****Sever Hazard**

Rotating parts can cause severe injury or death. Never wear jewelry, unbuttoned cuffs, ties or loose-fitting clothing and always tie long hair back when working near moving / rotating parts such as the flywheel or PTO shaft. Keep hands, feet and tools away from all moving parts.

**Alcohol and Drug Hazard**

Never operate the engine while under the influence of alcohol or drugs, or when feeling ill.

**Exposure Hazard**

Always wear personal protective equipment including appropriate clothing, gloves, work shoes, and eye and hearing protection as required by the task at hand.

**Sudden Movement Hazard**

Never operate the engine while wearing a headset to listen to music or radio because it will be difficult to hear the warning signals.

**Burn Hazard**

Some of the engine surfaces become very hot during operation and shortly after shutdown. Keep hands and other body parts away from hot engine surfaces.

**Exhaust Hazard**

Never block windows, vents or other means of ventilation if the engine is operating in an enclosed area. All internal combustion engines create carbon monoxide gas during operation and special precautions are required to avoid carbon monoxide poisoning.

## CAUTION

The safety messages that follow have CAUTION level hazards.

### **Poor Lighting Hazard**

Ensure that the work area is adequately illuminated. Always install wire cages on portable safety lamps.

### **Tool Hazard**

Always use tools appropriate for the task at hand and use the correct size tool for loosening or tightening machine parts.

### **Flying Object Hazard**

Always wear eye protection when servicing the engine or when using compressed air or high-pressure water. Dust, flying debris, compressed air, pressurized water or steam may injure your eyes.

### **Coolant Hazard**



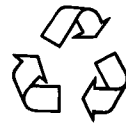
Wear eye protection and rubber gloves when you handle engine coolant. If contact with the eyes or skin should occur, flush eyes and wash immediately with clean water.

## NOTICE

The safety messages that follow have NOTICE level hazards.

It is important to perform daily checks as listed in the *Operation Manual*. Periodic maintenance prevents unexpected downtime, reduces the number of accidents due to poor engine performance and helps extend the life of the engine.

Consult authorized Yanmar Marine dealer or distributor if you need to operate the engine at high altitudes. At high altitudes the engine will lose power, run rough and produce exhaust gases that exceed the design specifications.



Always be environmentally responsible.

Follow the guidelines of the EPA or other governmental agencies for the proper disposal of hazardous materials such as engine oil, diesel fuel and engine coolant. Consult the local authorities or reclamation facility.

Never dispose of hazardous materials by dumping them into a sewer, on the ground, or into ground water or waterways.

If a Yanmar Marine Engine is installed at an angle that exceeds the specifications stated in the Yanmar Marine *Installation Manuals*, engine oil may enter the combustion chamber causing excessive engine speed, white exhaust smoke and serious engine damage. This applies to engines that run continuously or those that run for short periods of time.

**NOTICE**

If you have an installation with two or three engines and only one engine is operating, the water pickup (thru-hull) of the non-running engine(s) should be closed. This will prevent water from being forced past the seawater pump and eventually finding its way into the engine. The result of water entering the engine could cause seizure or other serious problems.

If you have an installation with two or three engines, and only one engine is operating, please note that if the propeller shaft thru-hull (stuffing box) is lubricated by engine water pressure and the engines are interconnected, care must be taken that water from the running engine does not enter the exhaust of the non-running engine(s). This water could cause seizure of the non-running engine(s). Consult authorized Yanmar Marine dealer or distributor for a complete explanation of this condition.

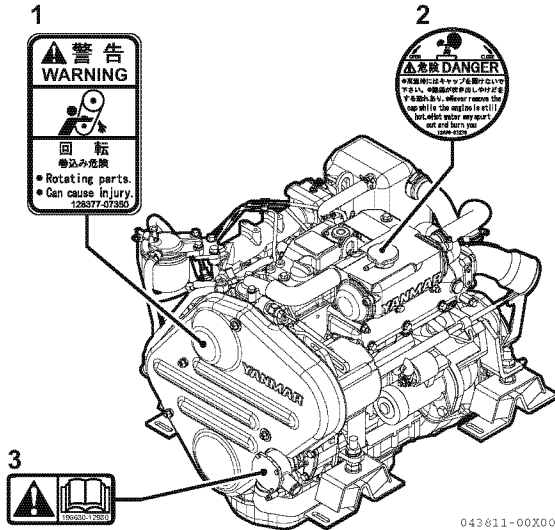
If you have an installation with two or three engines, and only one engine is operating, it is important to limit the amount of throttle applied to the running engine. If you observe black smoke or movement of the throttle does not increase engine speed, you are overloading the engine that is running. Immediately throttle back to approximately 2/3 throttle or to a setting where the engine performs normally. Failure to do so may cause the running engine to overheat or cause excess carbon buildup which may shorten the engine's life.

Never turn off the battery switch (if equipped) or short the battery cables during operation. Damage to the electrical system will result.

## LOCATION OF SAFETY DECALS

Figure 1, Figure 2, Figure 3 and Figure 4 show the location of safety decals on Yanmar JH series marine engines.

### 3JH5E / 3JH5AE Engines



**Figure 1**

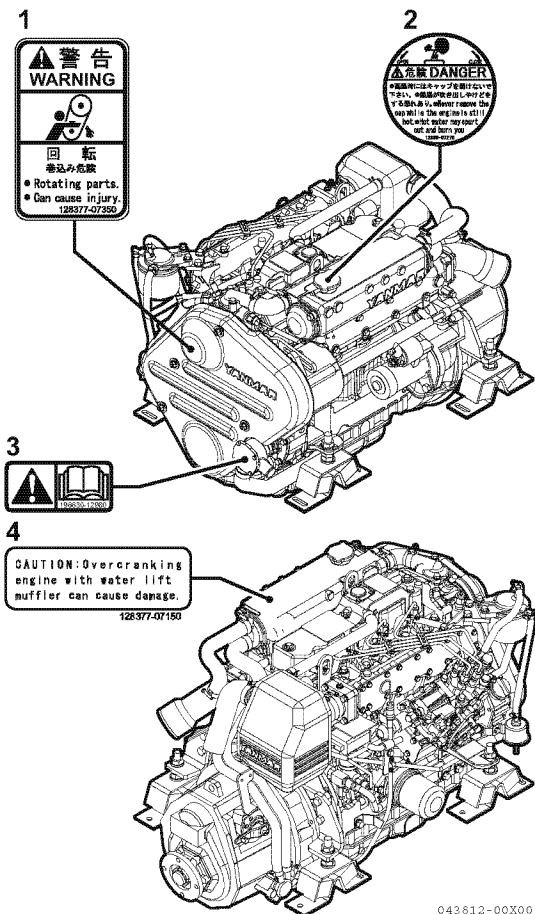
**1—Part Number: 128377-07350**

**2—Part Number: 128990-07270**

**3—Part Number: 196630-12980**



## 4JH5E Engines



043612-00X00

Figure 2

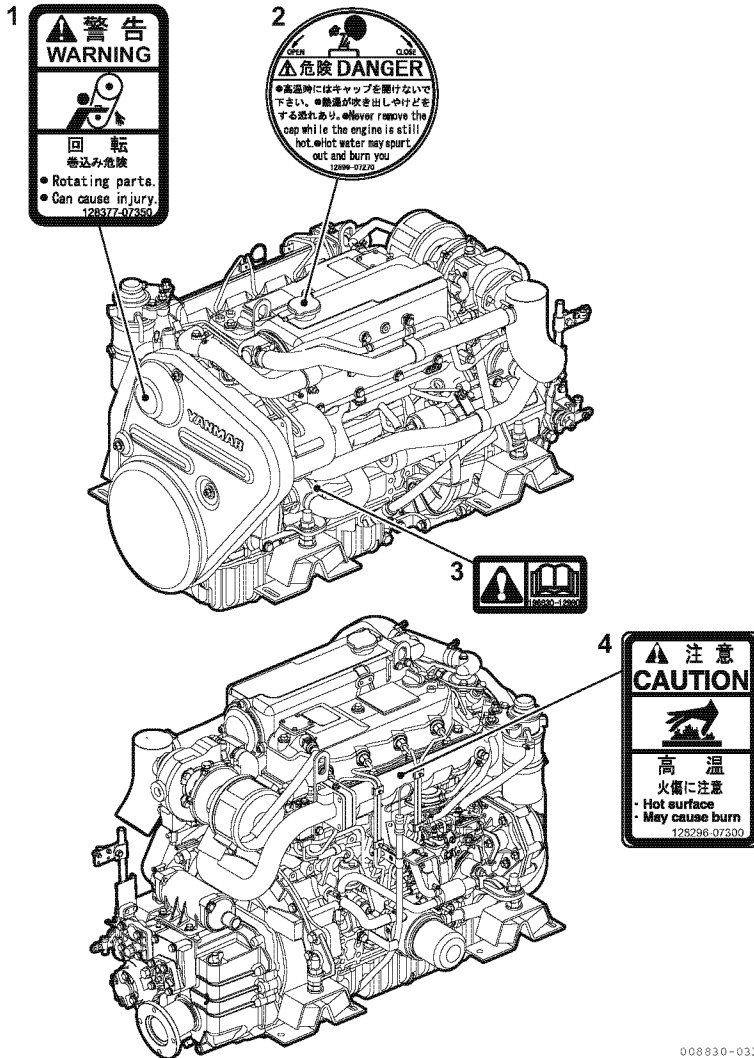
1—Part Number: 128377-07350

2—Part Number: 128990-07270

3—Part Number: 196630-12980

4—Part Number: 128377-07150

## 4JH4-TE Engines

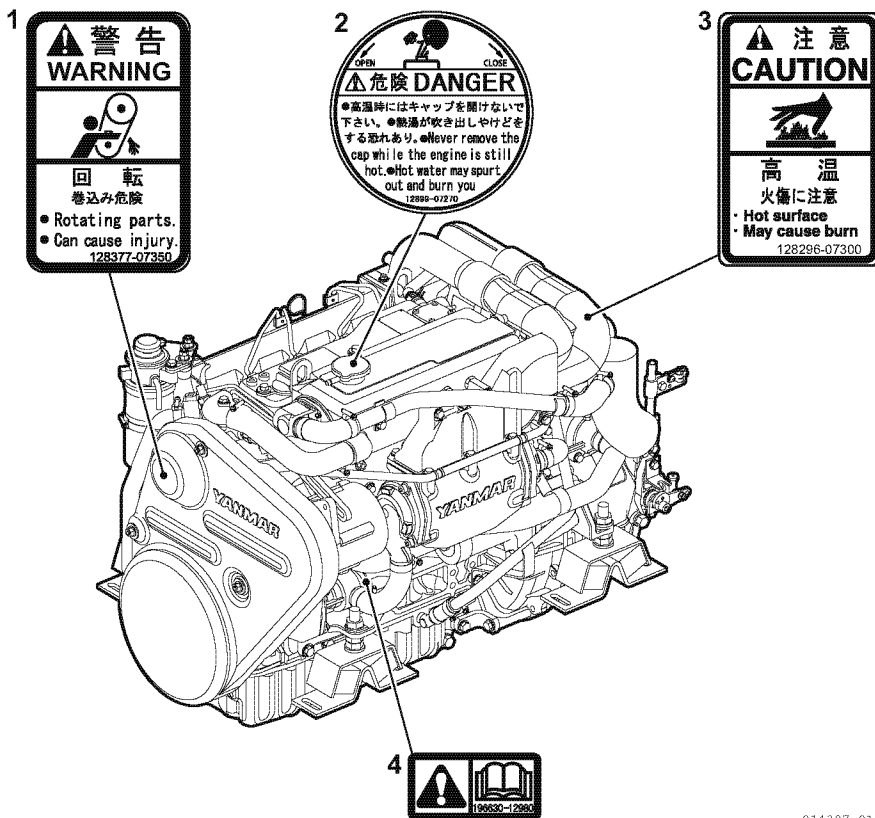


008830-03X

Figure 3

- 1-Part Number: 128377-07350
- 2-Part Number: 128990-07270
- 3-Part Number: 196630-12980
- 4-Part Number: 128296-07300

## 4JH4-HTE Engines



014387-01X

Figure 4

1-Part Number: 128377-07350

2-Part Number: 128990-07270

3-Part Number: 128296-07300

4-Part Number: 196630-12980

**This Page Intentionally Left Blank**

# PRODUCT OVERVIEW

---

## YANMAR JH SERIES FEATURES AND APPLICATIONS

The JH series are four-stroke direct injection diesel engines equipped with liquid coolant systems.

The 3JH5E, 3JH5AE are 3-cylinder and naturally aspirated.

The 4JH5E is 4-cylinder and naturally aspirated.

The 4JH4-TE is 4-cylinder and turbocharged.

The 4JH4-HTE is 4-cylinder and turbocharged with an air cooler.

The engines are equipped with a marine gear or sail drive unit.

This engine is designed for recreational craft use.

It is recommended that new vessels be propped so the engines can operate at 100 to 200 min<sup>-1</sup> above the fuel stop power engine speed to allow for some added weight and hull resistance.

Failure to do so can lead to reduced vessel performance, lead to increased smoke levels and cause permanent damage to your engine.

The engine must be installed correctly with coolant lines, exhaust gas lines and electrical wiring. Any auxiliary equipment attached to the engine should be easy to use and accessible for service. To handle the drive equipment, propulsion systems (including the propeller) and other inboard equipment, always observe the instructions and cautions given in the operation manuals supplied by the shipyard and equipment manufacturers.

The JH series engines are designed to be operated at maximum throttle\*<sup>1</sup> for less than 5% of total engine time (30 minutes out of every 10 hours) and cruising speed\*<sup>2</sup>.

The laws of some countries may require hull and engine inspections, depending on the use, size and cruising area of the boat. The installation, fitting and surveying of this engine all require specialized knowledge and engineering skills. See Yanmars local subsidiary in your region or your authorized Yanmar Marine dealer or distributor.

---

\*<sup>1</sup> maximum throttle: fuel stop power engine speed

\*<sup>2</sup> cruising speed: fuel stop power engine speed -200 min<sup>-1</sup> or less

# PRODUCT OVERVIEW

---

## New Engine Break-In

As with all reciprocating engines, the way your engine is operated during its first 50 hours of operation plays a very significant role in determining how long it will last and how well the engine will perform over its lifetime.

A new Yanmar diesel engine must be operated at suitable speeds and power settings during the break-in period to make the sliding parts, such as piston rings, break-in properly and to stabilize engine combustion.

During the break-in period, the engine coolant temperature gauge should be monitored; temperature should be between 71° and 87°C (160° and 190°F).

During the first 10 hours of operation, the engine should be run at maximum engine speed minus 400 to 500 min<sup>-1</sup> (approximately 60 to 70% of load) most of the time. This will ensure the sliding parts break in properly. During this period, avoid operating at maximum engine speed and load to avoid damaging or scoring sliding parts.

### NOTICE

Do not operate at WOT (wide open throttle) for more than a minute at a time during the first 10 hours of operation.

---

Do not operate the engine at low idle or at low speed and light load for more than 30 minutes at a time. Since unburned fuel and engine oil will adhere to the piston rings when operating at low speeds for long periods, this will interfere with proper movement of the rings and the engine oil consumption may increase. Low idle speed does not allow break-in of sliding parts.

If operating engine at low speed and light load, you must race the engine to clean the carbon from the cylinders and fuel injection valve.

Perform this procedure in open waters:

- With the clutch in NEUTRAL, accelerate from the low-speed position to the high-speed position briefly.
- Repeat this process five times.

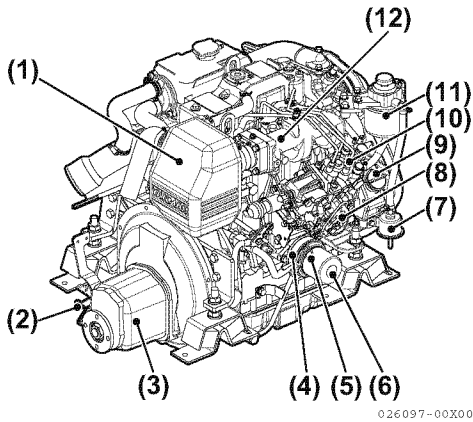
Once past the initial 10 hours until 50 hours, the engine should be used over its full operating range, with special emphasis on running at relatively high power settings. This is not the time for an extended cruise at idle or low speed. The boat should be run at maximum speed minus 400 min<sup>-1</sup> most of the time (approximately 70% load), with a 10 minute run at maximum minus 200 min<sup>-1</sup> (approximately 80% load) every 30 minutes and a 4 to 5 minute period of operation at WOT (wide open throttle) once each 30 minutes. During this period, be sure not to operate your engine at low speed and light load for more than 30 minutes. If operating engine at low speed and light load by necessity, just after the low idle operation, be sure to race the engine.

To complete engine break-in, perform *After Initial 50 Hours of Operation* maintenance procedures. After Initial 50 Hours of Operation on page 71.

## COMPONENT IDENTIFICATION

### Right Side (Viewed from Flywheel) - 3JH5E / 3JH5AE

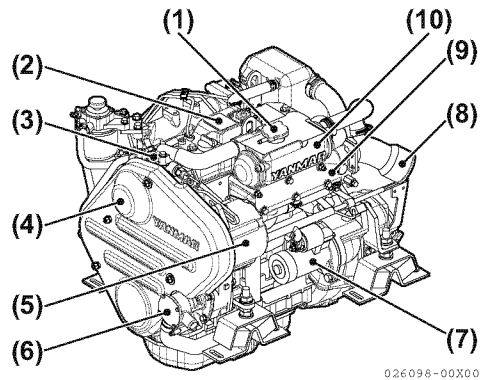
Figure 1 and Figure 2 illustrate a typical version of a 3JH5E, 3JH5AE engine. Your engine may have different equipment from that illustrated.



**Figure 1**

- 1 – Intake Silencer (air cleaner)
- 2 – Shift Lever
- 3 – Marine Gear
- 4 – Oil Cooler
- 5 – Engine Oil Dipstick
- 6 – Engine Oil Filter
- 7 – Electric Fuel Priming Pump
- 8 – Fuel Feed Pump
- 9 – Engine Oil Filler Cap
- 10 – Fuel Injection Pump
- 11 – Fuel Filter
- 12 – Intake Manifold

### Left Side (Viewed from Flywheel) - 3JH5E / 3JH5AE



**Figure 2**

- 1 – Coolant Filler Cap
- 2 – Engine Nameplate (on rocker arm cover)
- 3 – Coolant Pump
- 4 – Belt Cover
- 5 – Alternator
- 6 – Seawater Pump
- 7 – Starter Motor
- 8 – Mixing Elbow
- 9 – Exhaust Manifold
- 10 – Coolant Tank / Heat Exchanger

## PRODUCT OVERVIEW

### Right Side (Viewed from Flywheel) - 4JH5E

Figure 3 and Figure 4 illustrate a typical version of a 4JH5E engine. Your engine may have different equipment from that illustrated.

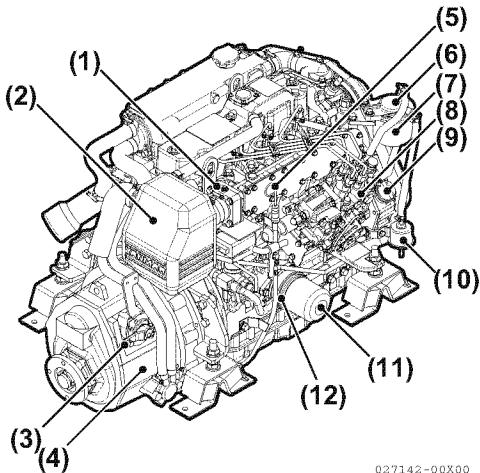


Figure 3

- 1 – Air Heater
- 2 – Intake Silencer
- 3 – Shift Lever
- 4 – Marine Gear
- 5 – Engine Oil Dipstick
- 6 – Header (fuel filter)
- 7 – Fuel Filter
- 8 – Fuel Injection Pump
- 9 – Engine Oil Filler Cap
- 10 – Electric Fuel Feed Pump
- 11 – Engine Oil Filter
- 12 – Oil Cooler

### Left Side (Viewed from Flywheel) - 4JH5E

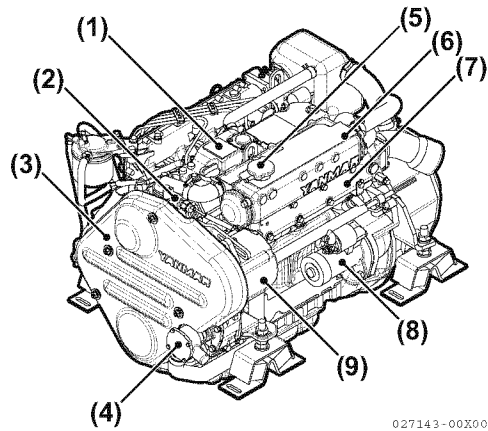


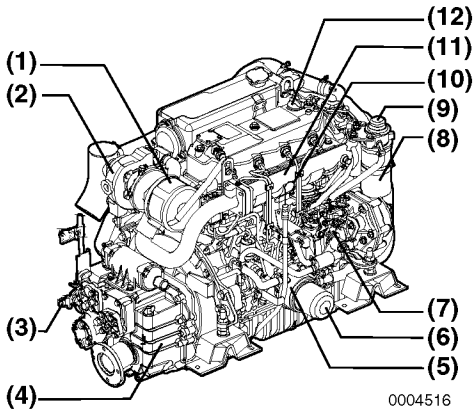
Figure 4

- 1 – Engine Nameplate (on rocker arm cover)
- 2 – Coolant Pump
- 3 – Belt Cover
- 4 – Seawater Pump
- 5 – Coolant Filler Cap
- 6 – Coolant Tank / Heat Exchanger
- 7 – Exhaust Manifold
- 8 – Starter Motor
- 9 – Alternator



**Right Side (Viewed from Flywheel) - 4JH4-TE**

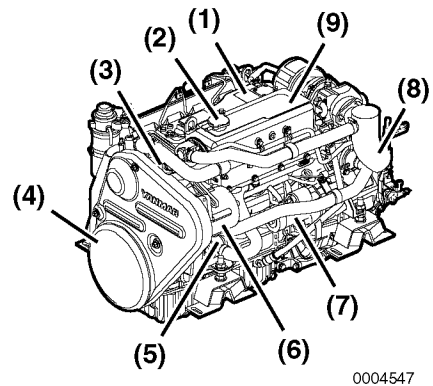
Figure 5 and Figure 6 illustrate a typical version of a 4JH4-TE engine. Your engine may have different equipment from that illustrated.



**Figure 5**

- 1 – Intake Silencer (air cleaner)
- 2 – Turbocharger
- 3 – Shift Lever
- 4 – Marine Gear (KMH4A shown)
- 5 – Engine Oil Cooler
- 6 – Engine Oil Filter
- 7 – Fuel Injection Pump
- 8 – Fuel Filter
- 9 – Fuel Priming Pump
- 10 – Engine Oil Dipstick
- 11 – Intake Manifold
- 12 – Engine Oil Filler Cap

**Left Side (Viewed from Flywheel) - 4JH4-TE**



**Figure 6**

- 1 – Engine Nameplate (on rocker arm cover)
- 2 – Coolant Filler Cap
- 3 – Coolant Pump
- 4 – Belt Cover
- 5 – Seawater Pump
- 6 – Alternator
- 7 – Starter Motor
- 8 – Exhaust / Water Mixing Elbow
- 9 – Coolant Tank / Heat Exchanger

## PRODUCT OVERVIEW

### Right Side (Viewed from Flywheel) - 4JH4-HTE

Figure 7 and Figure 8 illustrate a typical version of a 4JH4-HTE engine. Your engine may have different equipment from that illustrated.

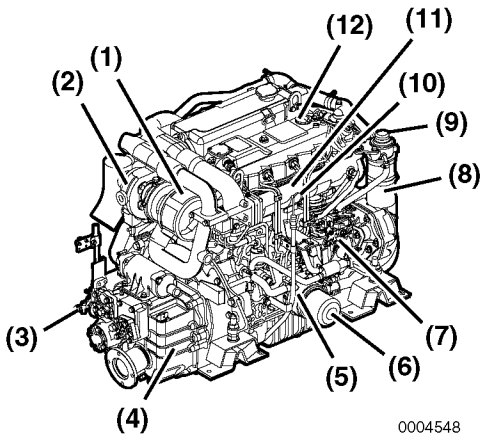
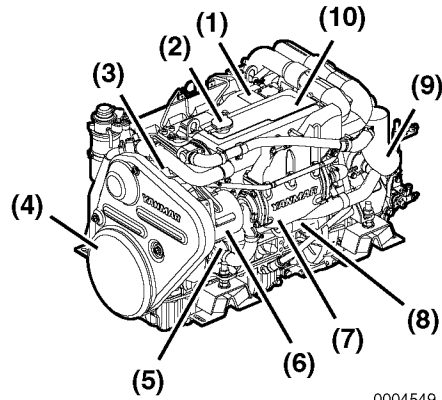


Figure 7

0004548

- 1 – Intake Silencer
- 2 – Turbocharger
- 3 – Shift Lever (KMH4A)
- 4 – Marine Gear (KMH4A)
- 5 – Engine Oil Cooler
- 6 – Engine Oil Filter
- 7 – Fuel Injection Pump
- 8 – Fuel Filter
- 9 – Fuel Priming Pump
- 10 – Engine Oil Dipstick
- 11 – Intake Manifold
- 12 – Engine Oil Filler Cap

### Left Side (Viewed from Flywheel) - 4JH4-HTE



0004549

Figure 8

- 1 – Engine Nameplate (on rocker arm cover)
- 2 – Coolant Filler Cap
- 3 – Coolant Pump
- 4 – Belt Cover
- 5 – Seawater Pump
- 6 – Alternator
- 7 – Air cooler
- 8 – Starter Motor
- 9 – Exhaust Mixing Elbow
- 10 – Coolant Tank / Heat Exchanger

## NAMEPLATES

The nameplates of Yanmar JH series engines are shown in **Figure 9**. Check the engine's model, output, min<sup>-1</sup> and serial number on the nameplate. Please replace if damaged or lost.

The engine nameplate is attached to the engine rocker arm cover.

|  |                                 |
|--|---------------------------------|
| Model  | _____                           |
| Gear Model   | _____                           |
| Continuous power kW                                      | _____ / _____ min <sup>-1</sup> |
| Speed of prop.shaft                                      | _____ min <sup>-1</sup>         |
| Fuel stop power kW                                       | _____ / _____ min <sup>-1</sup> |
| ENG.No.  | _____                           |
| MFG.DATE   | ____/____/____                  |
| <b>YANMAR</b><br><b>YANMAR CO.,LTD.</b><br>MADE IN JAPAN |                                 |

129670-07201

**Figure 9**

The marine gear nameplate (**Figure 10**) is attached to the marine gear. Check the marine gears model, gear ratio, oil used and serial number.

|  |       |
|--|-------|
| MODEL  | _____ |
| MFG. NO.   | _____ |
| GEAR RATIO   | _____ |
| OIL  | _____ |
| <b>YANMAR</b><br><b>KANZAKI KOKYUKOKI MFG CO., LTD.</b><br>MADE IN JAPAN |       |

177524-02903

**Figure 10**

The sail drive nameplate (**Figure 11**) is attached to the sail drive. Check the sail drive model and serial number.

|  |       |
|--|-------|
| MODEL  | _____ |
| GEAR RATIO   | _____ |
| MFG.NO.  | _____ |
| P/N  | _____ |
| OIL TYPE   | _____ |
| <b>YANMAR</b><br><b>YANMAR CO., LTD.</b><br>MADE IN EU |       |

196460-02120

**Figure 11**

## FUNCTION OF MAJOR COMPONENTS

| Name of Component                   | Function   |
|-------------------------------------|--|
| Fuel Filter                         | Removes dirt and water from the fuel. Drain the filter periodically. The filter element should be replaced periodically. The water separator (if equipped) should be drained periodically. See <i>Draining Fuel Filter / Water Separator on page 76</i> .  |
| Fuel Feed Pump                      | Pumps fuel from the tank to the fuel injection system.   |
| Fuel Priming Pump (if equipped)     | This is a manual fuel pump. Pushing the knob on the top of the fuel filter feeds the fuel. The pump is also used to bleed air from the fuel system.  |
| Engine Oil Filler Port              | Filler port for engine oil.  |
| Engine Oil Filter                   | Filters fine metal fragments and carbon from the engine oil. Filtered engine oil is distributed to the engine's moving parts. The filter is a cartridge type and the element should be replaced periodically. See <i>Changing the Engine Oil and Replacing the Engine Oil Filter Element on page 82</i> .  |
| Marine Gear Filler Port             | Filler port for marine gear lube oil. Located on top of the marine gear case.  |
| Cooling System                      | There are two cooling systems: closed cooling with coolant and seawater. The engine is cooled by the closed cooling circuit. The closed circuit is cooled by seawater using a heat exchanger. The seawater also cools the marine gear oil and intake air (depending on model) through the cooler(s) in an open circuit.  |
| Closed Cooling Circulation Pump     | The centrifugal water pump circulates coolant inside the engine. The circulating pump is driven by a V-ribbed belt.  |
| Seawater Pump                       | Pumps seawater from outside vessel to the engine. The seawater pump is gear-driven and has a replaceable rubber impeller. Do not operate it without seawater, as this will damage the impeller.  |
| Reservoir                           | The pressure valve in the filler cap releases vapor and hot water overflow to the reservoir. When the engine stops and the coolant cools, the pressure in coolant tank drops. The filler cap vacuum valve then opens to send water back from the reservoir. This minimizes coolant consumption. The closed cooling system coolant level can easily be checked and refilled in this tank. |
| Oil Cooler - Engine                 | A heat exchanger that cools high temperature engine oil using coolant.   |
| Oil Cooler - Marine Gear (Optional) | This heat exchanger cools the marine gear (KMH4A) oil using seawater.  |
| Turbocharger (if equipped)          | The turbocharger pressurizes the air coming into the engine. It is driven by a turbine that is energized by exhaust gases.   |
| Air cooler (if equipped)            | This heat exchanger cools the pressurized charging air from the turbocharger with seawater to increase the charging air quantity.  |
| Intake Silencer (Air Cleaner)       | The intake silencer guards against dirt in the air and reduces the noise of air intake.  |
| Nameplates                          | Nameplates are provided on the engine and the marine gear and have the model, serial number and other data.  |
| Starter                             | Starter motor for the engine. Powered by the battery.  |
| Alternator                          | Driven by belt and generates electricity and charges the battery.  |
| Engine Oil Dipstick                 | Gauge stick for checking the engine oil level.   |

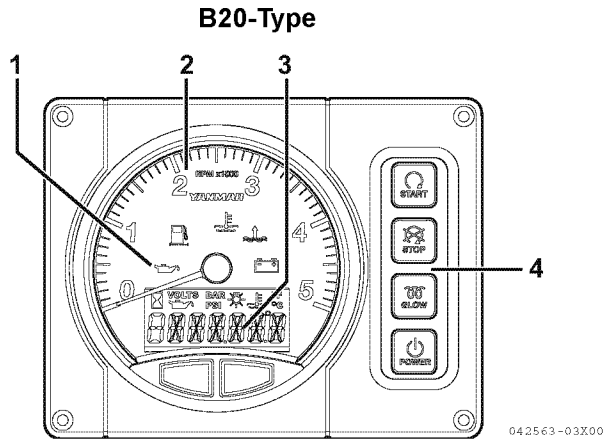
## CONTROL EQUIPMENT

The equipment in the control room makes remote control operation possible. It consists of the instrument panel, which is connected to the engine by a wire harness, and the remote control handle, which is connected by control cables to the engine control lever and marine gear.

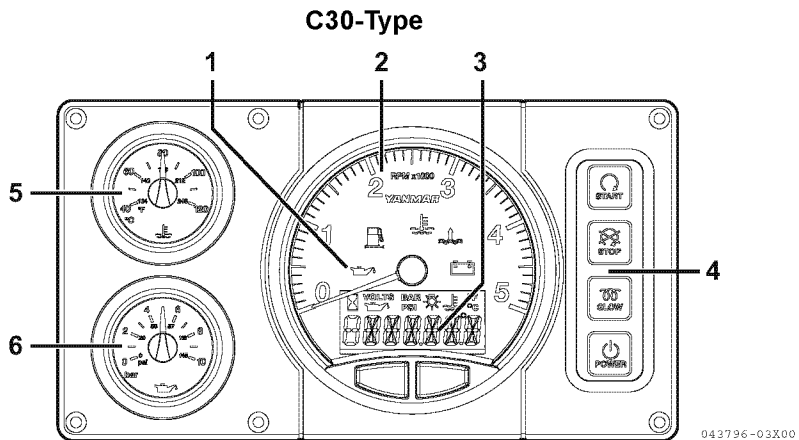
### Instrument Panel (Optional)

#### Equipment and Functions

The instrument panel is located in the cockpit. The following instruments enable you to start or stop the engine and to monitor its condition during operation.



**Figure 12**



**Figure 13**

- 1 – Alarm lamp
- 2 – Tachometer
- 3 – LCD

- 4 – Switches (push-buttons)
- 5 – Coolant temperature gauge
- 6 – Engine oil pressure gauge

# PRODUCT OVERVIEW

---

## Meters

| Instrument                | Function   |
|---------------------------|--|
| Tachometer                | Shows engine rotation speed.   |
| Hourmeter                 | Shows number of operating hours. Can be used as a guide for periodic maintenance checks. The hourmeter is located at the bottom of the tachometer. |
| Coolant Temperature Gauge | Shows the coolant temperature.   |
| Engine Oil Pressure Gauge | Shows the engine oil pressure.   |
| Panel Lights              | When the power switch is pushed, the gauges will illuminate for easier viewing.  |

Note: The LCD on the instrument panel show hourmeter, display brightness and battery voltage.

### **Coolant temperature and oil pressure display (option)**

- B20-Type panels have a digital LCD screen inside the tachometer.
- C30-Type panels have an electric gauge with a needle.

## Instrument Panel

The formats for the instrument panel are shown below.

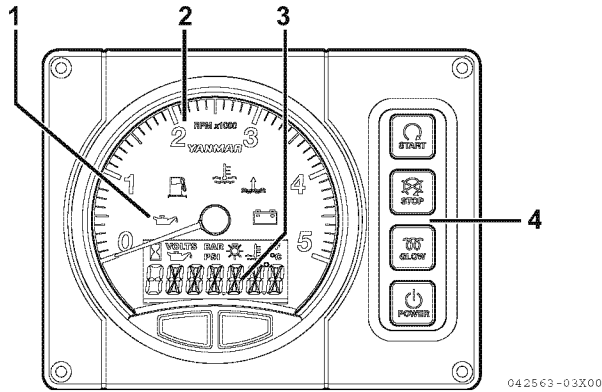


Figure 14

- 1 – Alarm lamp
- 2 – Tachometer

- 3 – LCD
- 4 – Switches (push-buttons)

### Control panel switches

All switches are push-buttons.



042564-01X00

#### Start switch

Pushing this switch operates the starter and starts the engine.



042566-01X00

#### Glow switch

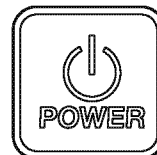
Pushing this switch for the specified time heats the air heater on the air intake manifold. It becomes red-hot, facilitating fuel ignition. This assists starting in cold weather.



042565-01X00

#### Stop switch

Pushing this switch stops the engine.



042567-01X00

#### Power switch

Pushing this switch turns on or off the power.

# PRODUCT OVERVIEW

---

## *Indicators and Alarms (Optional)*

When a sensor detects a problem during operation, the indicator on the instrument panel will light and an alarm will sound. Indicators are located on the instrument panel and the alarms are located on the back of the panel. Under normal operating conditions, the indicators are off.

### **Battery Low Charge Indicator**



When the alternator output is too low, the indicator will light. When charging begins, the indicator will turn off.

### **Coolant High Temperature Indicator and Alarm**



When coolant temperature reaches the maximum allowable temperature (95°C [203°F] or higher), the indicator will light and the alarm will sound. Continuing operation at temperatures exceeding the maximum limit will result in damage and seizure. Check the load and troubleshoot the cooling system.

### **Engine Oil Low Pressure Indicator and Alarm**



When the engine oil pressure falls below normal, the oil pressure sensor will send a signal to the indicator, causing it to light and the alarm to sound. Stop operation to avoid damage to the engine. Check the oil level and troubleshoot the lubrication system.

### **Water in Sail Drive Seal Indicator and Alarm**



When water is detected between the seals of the sail drive, the indicator will light and the alarm will sound.

### **Water in Fuel Filter Indicator and Alarm - 4JH4-TE and 4JH4-HTE engines only -**



When the water level in the fuel filter / water separator becomes too high, the indicator will light and the alarm will sound. Drain the water from the fuel filter / water separator. *See Draining Fuel Filter / Water Separator on page 76.*



**LCD control (hourmeter, coolant temperature, display brightness, oil pressure, battery voltage)**

You can switch (scroll) between displays by pressing the buttons on the bottom.

- **Switching screens by pressing the right button (Pressing the left button switches the screens in the opposite direction.)**

Press the power switch.

- After 4 seconds, the LCD shows the hourmeter.

Pressing the right button on the bottom of the LCD shows the temperature display. Select between Metric units (°C) and Imperial units (°F) at the "System Units screen" on the next page.

Pressing the right button again shows the LCD brightness settings.

To set the brightness of the backlight:

- 1** Press the left button continuously and the digits of the LCD start flashing.
- 2** In this condition, press the left button to increase the brightness.
- 3** Press the right button to decrease the brightness. (The brightness changes in 6 steps of 20 %.)

To set the desired brightness, do not touch the buttons for 3 seconds.

Note: Continuously pressing means holding the button for approx. 2 seconds.

Next, press the right button to show the pressure display. Select between Metric units (BAR) and Imperial units (PSI) at the "System Units screen" on the next page.

Press again to show the battery voltage. Pressing the button once more returns the display to the initial hourmeter.

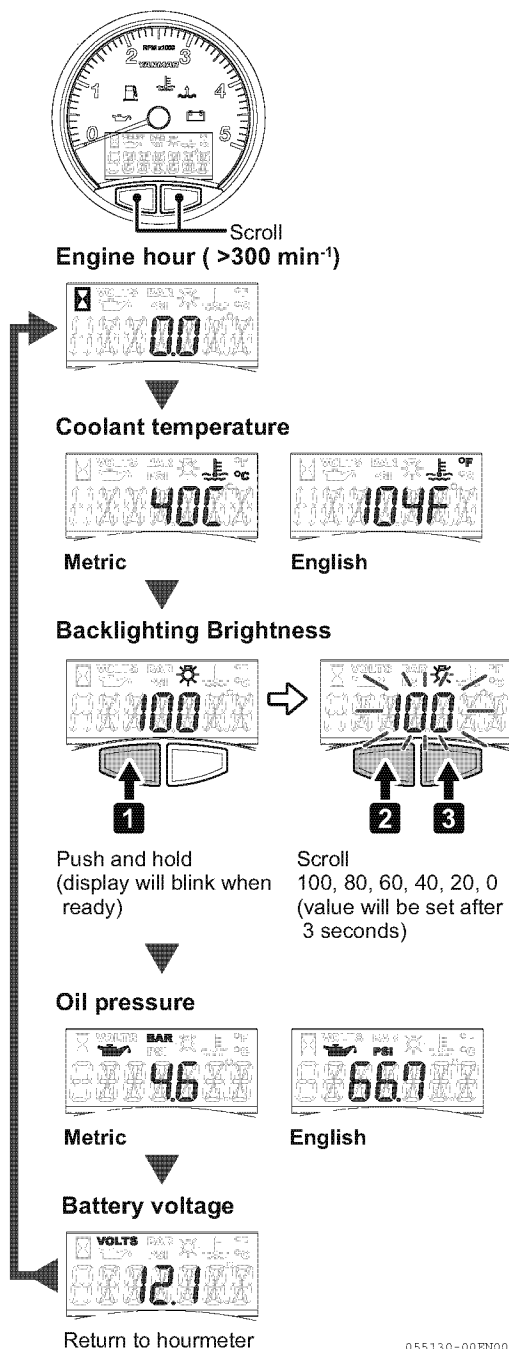


Figure 15

055130-00EN00

# PRODUCT OVERVIEW

## Setup screen access and control

### (Setting the temperature and pressure units and engine speed pulse)

Use the buttons on the bottom of the LCD display to set the instrument panel.

Press the left button to switch between displays.

- 1 Press and hold both buttons until "SET UP" appears.
- 2 Press the left button to set the units for the temperature and pressure display.

#### Setting the temperature and pressure units

The display says "UNIT".

- 1 Next, press the right button to select Metric units (°C, BAR). The display says "METRIC".
- 2 Press the left button to switch to Imperial units (°F, PSI). The display says "ENGL".
- 3 Press the right button to select and go back to the "UNIT" screen.
- 4 Press the left button and go to the next screen "ENGINE".

Confirm that the display says "ENGINE". Pressing the right button shows the screen for the engine speed pulse setting.

#### Setting the engine speed pulse value

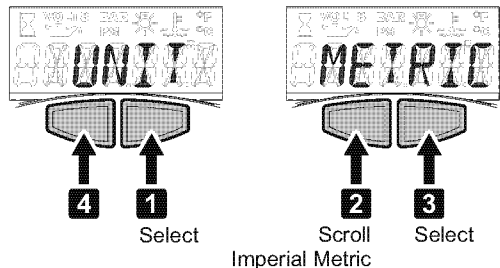
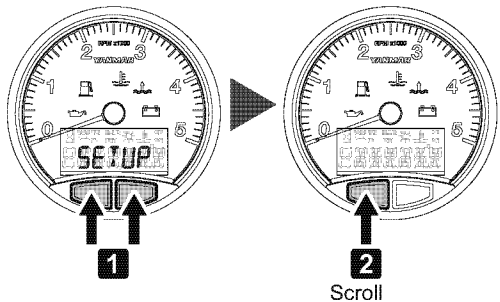
- 1 Confirm that the display says "ENGINE". Press the right button and "P\*\*\*\*\*" appears.

Note: The pre-set value of speed pulse is indicated on the box of each panel.

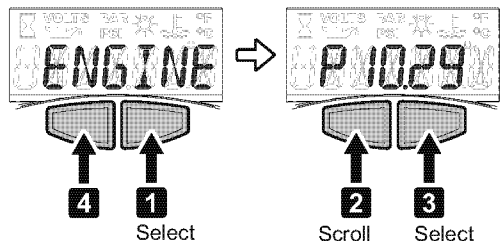
- 2 Next, press the left button and select the speed pulse value for each engine model.

| Engine model               | Speed pulse value |
|----------------------------|-------------------|
| JH with HITACHI alternator | 10.29             |
| JH with VALEO alternator   | 12.10             |

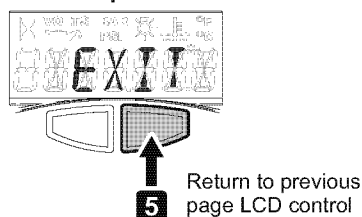
- 3 After confirming the value is changed correctly, press the right button to return to the "ENGINE" screen.
- 4 Press the left button again to go from the "ENGINE" screen to the "EXIT" screen.
- 5 After confirming the display, press the right button to re-start the panel and return to the hourmeter display.



#### Engine type select



#### Exit setup



05 51 29 - 00EN00

Figure 16

**Alarms**

***Checking the Warning Devices***

Before and after engine start, make sure that the instruments and warning devices operate correctly.

If the engine runs out of coolant or lubricating oil and the instruments and warning devices fail, they can not give you warning to prevent accidents. This can also lead to incorrect operation and cause further malfunctions of the engine.

**Before Engine Start**

1. Turn on the battery switch.
2. Push the power switch on.
  - All alarm lamps light up for 4 seconds.
  - After 4 seconds, the charge lamp and the lubricating oil pressure alarm lamp light up, and the hourmeter is displayed.
  - The alarm buzzer sounds until the engine starts.

**After Engine Start**

After engine start, make sure that the warning devices operate correctly and according to “After start” in the below table.

- All alarm lamps turn off. The above check tells you whether the electric circuit for the alarm lamps and alarm buzzer operate correctly. If they do not operate correctly, inspection and repair are required. Consult your dealer or distributor for repairs.

| Correct operation of the warning devices |              |                 |                 |             |
|--|--------------|-----------------|-----------------|-------------|
| Instrument panel (power switch)          | Power ON     |                 |                 |             |
|  | Immediately  | After 2 seconds | After 4 seconds |             |
|  | Before start |                 |                 | After start |
| Starter switch                           | OFF          |                 |                 | ON          |
| Alarm buzzer                             | ON           |                 |                 | OFF         |
| Charge lamp                              | ON           | ON              | ON              | OFF         |
| Coolant temperature lamp                 | ON           | ON              | OFF             | OFF         |
| Engine lubricating oil pressure lamp     | ON           | ON              | ON              | OFF         |
| LCD display                              | Yanmar       | Full display    | Hourmeter       |             |

## NOTICE

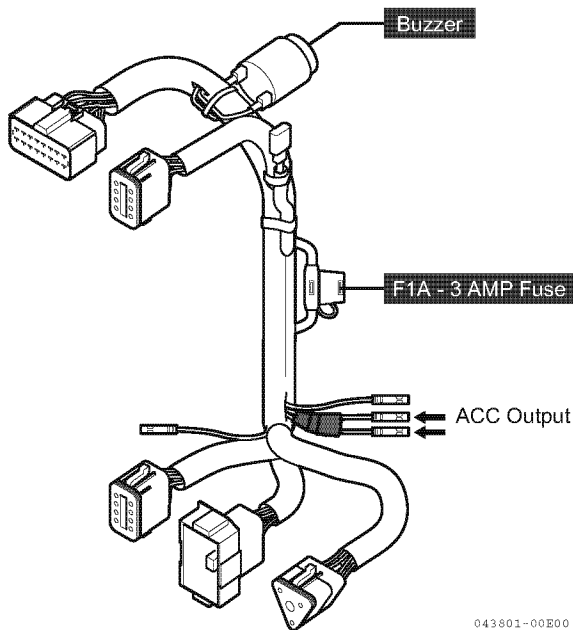
When the warning devices are activated and normal operation is impossible, stop the engine and do not use it until the problem has been solved.

### Accessory power output

The harness attached to the panel has a terminal where the signal that is synchronized to the panel power supply can be taken off. (**Figure 17**) (Refer to the Wiring Diagrams on page 137.)

The maximum current of this output terminal is 3 A. Do not use a current higher than 3 A.

For the content of the output terminal, refer to the Wiring Diagrams on page 137.



**Figure 17**

043801-00E00

## Single-Lever Remote Control Handle

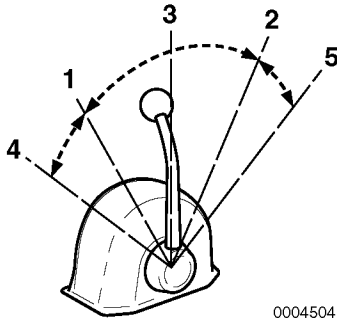


Figure 18

0004504

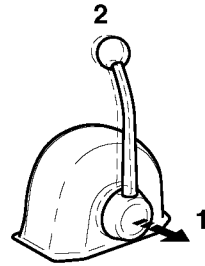


Figure 19

0004511

Note: Direction of travel will vary depending on installation location.

- 1 – Low Speed - FWD or REV
- 2 – Low Speed - FWD or REV
- 3 – NEUTRAL - Power to the propeller shaft is cut off and the engine idles
- 4 – Maximum Engine Speed - FWD or REV
- 5 – Maximum Engine Speed - FWD or REV

Note: Yanmar recommends the use of a single-lever type for the remote control system. If only a two-lever type is available in the market, reduce engine speed to 1000 min<sup>-1</sup> or less before engaging and disengaging the marine gear clutch.

A single handle-type (**Figure 18**) should be used to operate the marine gear clutch (NEUTRAL, FORWARD and REVERSE) and to control the engine speed.

The handle controls the direction of the boat (ahead or astern) and also acts as an accelerator by increasing engine speed as the lever is pushed further in FORWARD or REVERSE directions.

When the handle is pulled out (**Figure 19, (1)**), the engine speed can be controlled without engaging the clutch. The clutch remains in NEUTRAL, no load position. Turn the knob (**Figure 19, (2)**) counterclockwise to move the handle or clockwise to lock the handle.

**This Page Intentionally Left Blank**

# BEFORE YOU OPERATE

---

## INTRODUCTION

This section of the *Operation Manual* describes the diesel fuel, engine oil and engine coolant specifications and how to replenish them.

## SAFETY PRECAUTIONS

Before performing any operations within this section, review the *Safety* section on page 5.

## DIESEL FUEL

### Diesel Fuel Specifications

#### **WARNING**

**Fire and Explosion Hazard.**  
**Diesel fuel is flammable and explosive under certain conditions.**

*Only use diesel fuels recommended by Yanmar for the best engine performance, to prevent engine damage and to comply with EPA warranty requirements. Only use clean diesel fuel.*

Diesel fuel should comply with the following specifications. The table lists several worldwide specifications for diesel fuels.

| DIESEL FUEL SPECIFICATION          | LOCATION       |
|------------------------------------|----------------|
| ASTM D975 No. 2-D S15, No. 1-D S15 | USA            |
| EN590-2009                         | European Union |
| ISO 8217 DMX                       | International  |
| BS 2869-A1 or A2                   | United Kingdom |
| JIS K2204 Grade No. 2              | Japan          |

### Biodiesel Fuels

Yanmar approves the use of biodiesel fuels that do not exceed a blend of 7% non-mineral oil based fuel with 93% standard diesel fuel. Such biodiesel fuels are known in the marketplace as B7 biodiesel fuels. B7 biodiesel fuel can reduce particulate matter and the emission of “greenhouse” gases compared to standard diesel fuel.

*If the B7 biodiesel fuel used does not meet the approved specifications, it will cause abnormal wear of injectors, reduce the life of the engine and it may affect the warranty coverage of your engine.*

### ***B7 diesel fuels must meet certain specifications.***

The biodiesel fuels must meet the minimum specifications for the country in which they are used:

- In Europe, biodiesel fuels must comply with the European Standard EN590-2009, EN14214.
- In the United States, biodiesel fuels must comply with the American Standard ASTM D-6751 Grade-S15, D7467 Grade B7-S15.

Biodiesel should be purchased only from recognized and authorized diesel fuel suppliers.

### ***Precautions and concerns regarding the use of biofuels:***

- Biodiesel fuels have a higher content of methyl-esters, which may deteriorate certain metal, rubber and plastic components of the fuel system. The customer and / or boat builder are responsible to verify the usage of biodiesel compatible components on the vessel fuel supply and return systems.
- Free water in biodiesel may result in plugging of fuel filters and increased bacterial growth.
- High viscosity at low temperatures may result in fuel delivery problems, injection pump seizures and poor injection nozzle spray atomization.
- Biodiesel may have adverse effects on some elastomers (seal materials) and may result in fuel leakage and dilution of the engine lubricating oil.



- Even biodiesel fuels that comply with a suitable standard as delivered will require additional care and attention to maintain the quality of the fuel in the equipment or other fuel tanks. It is important to maintain a supply of clean, fresh fuel. Regular flushing of the fuel system, and / or fuel storage containers, may be necessary.
- The use of biodiesel fuels that do not comply with the standards as agreed to by the diesel engine manufacturers and the diesel fuel injection equipment manufacturers, or biodiesel fuels that have degraded as per the precautions and concerns above, may affect the warranty coverage of your engine.

### Additional Technical Fuel Requirements

- The fuel cetane number should be 45 or higher.
- The sulfur content must not exceed 15 ppm by volume.  
A higher sulfur content fuel may cause sulfuric acid corrosion in the cylinders of the engines.  
Especially in U.S.A. and Canada, Ultra Low Sulfur fuel must be used.
- Never mix kerosene, used engine oil or residual fuels with the diesel fuel.
- Water and sediment in the fuel should not exceed 0.05% by volume.
- Keep the fuel tank and fuel-handling equipment clean at all times.
- Ash content not to exceed 0.01% by volume.
- Carbon residue content not to exceed 0.35% by volume. Less than 0.1% is preferred.
- Total aromatics content should not exceed 35% by volume. Less than 30% is preferred.
- PAH (polycyclic aromatic hydrocarbons) content should be below 10% by volume.
- Do not use Biocide.
- Lubricity: Wear mark of WS1.4 should be Max. 0.016 in. (400  $\mu$ m) at HFRR test.

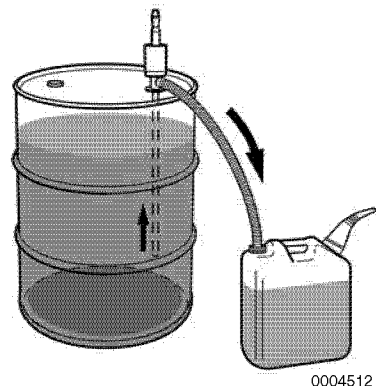
### Handling of Diesel Fuel

#### **WARNING**

**Fire and Explosion Hazard.**  
Only fill the fuel tank with diesel fuel. Filling the fuel tank with gasoline may result in a fire and will damage the engine. Never refuel with the engine running. Wipe up all spills immediately. Keep sparks, open flames or any other form of ignition (match, cigarette, static electric source) well away when refueling.

**Fire and Explosion Hazard.**  
Always put the diesel fuel container on the ground when transferring the diesel fuel from the pump to the container. Hold the hose nozzle firmly against the side of the container while filling it. This prevents static electricity buildup which could cause sparks and ignite fuel vapors.

1. Water and dust in the fuel may cause engine failure. When fuel is stored, be sure that the inside of the storage container is clean and dry, and that the fuel is stored away from dirt or rain.

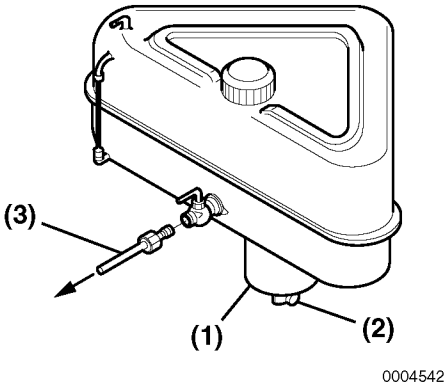


**Figure 1**

## BEFORE YOU OPERATE

2. Keep the fuel container stationary for several hours to allow any dirt or water to settle to the bottom of the container. Use a pump to extract the clear, filtered fuel from the top of the container.

### Fuel Tank (Optional)



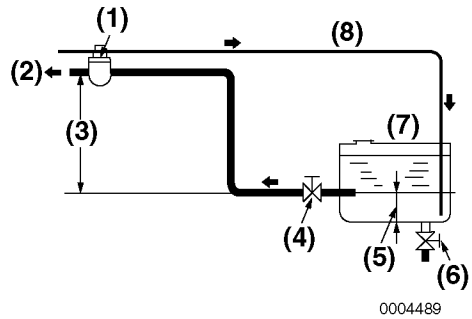
**Figure 2**

- 1 – Sediment Bowl
- 2 – Drain Cock
- 3 – Fuel Line to Engine

Install a drain cock (**Figure 2, (2)**) at the bottom of the fuel tank to remove water and contaminants from the sediment bowl (**Figure 2, (1)**).

The fuel outlet should be positioned 20 to 30 mm (0.79 to 1.18 in.) above the bottom of the tank so that only clean fuel is distributed to the engine.

### Fuel System - 4JH4-TE and 4JH4-HTE

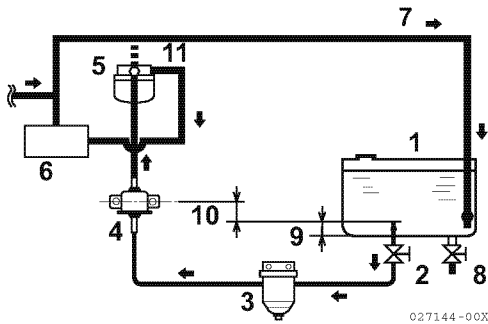


**Figure 3**

- 1 – Fuel Filter
- 2 – To Fuel Injection Pump
- 3 – Less than 500 mm (19.7 in.)
- 4 – Fuel Cock
- 5 – 20 to 30 mm (0.79 to 1.18 in.)  
Approximate
- 6 – Drain Cock
- 7 – Fuel Tank
- 8 – Fuel Return Line

Install the fuel line from the fuel tank to the fuel injection pump as shown in **Figure 3**. The recommended fuel / water separator (optional) is installed at the center section of that line.

**Fuel System - 3JH5E, 3JH5AE and 4JH5E**



**Figure 4**

- 1 – Fuel Tank
- 2 – Fuel Cock
- 3 – Water Separator
- 4 – Fuel Feed Pump
- 5 – Fuel Filter
- 6 – Fuel Injection Pump
- 7 – Fuel Return Line
- 8 – Drain Cock
- 9 – 20 to 30 mm (0.79 to 1.18 in.)  
Approximate
- 10 – Less than 400 mm (15.7 in.)
- 11 – Orifice for Air Bleeding

**Filling the Fuel Tank**

**Before filling fuel tank for the first time:**

**WARNING**

**Fire and Explosion Hazard.**  
**Never refuel with the engine running.**

Rinse fuel tank with kerosene or diesel fuel. Dispose of waste properly.

**To fill the fuel tank:**

**WARNING**

**Fire and Explosion Hazard.**  
**Operate bilge ventilation (blowers) for a minimum of 5 minutes to purge fumes from engine compartment after refueling. Never operate bilge blower while refueling. Doing so can pump explosive fumes into the engine compartment and result in an explosion.**

1. Clean the area around the fuel cap.
2. Remove the fuel cap from the fuel tank.
3. Fill the tank with clean fuel free of oil and dirt.

**WARNING**

**Fire and Explosion Hazard.**  
**Hold the hose nozzle firmly against the filler port while filling. This prevents static electricity buildup which could cause sparks and ignite fuel vapors.**

4. Stop fueling when the gauge shows the fuel tank is full.

**WARNING**

**Fire and Explosion Hazard.**  
**Never overfill the fuel tank.**

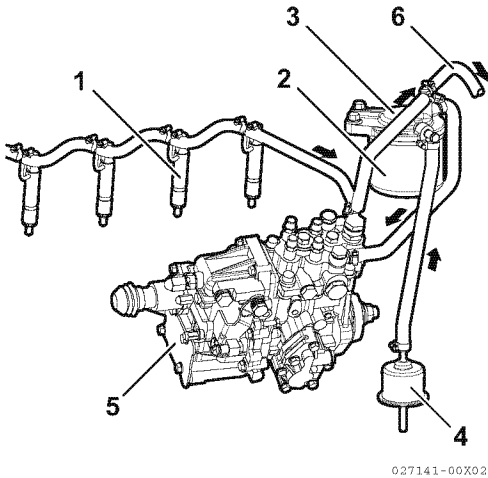
5. Replace the fuel cap and hand-tighten. Over-tightening the fuel cap will damage it.

# BEFORE YOU OPERATE

## Bleeding the Fuel System

The fuel system has an automatic air bleeding device that purges air from the fuel system. No manual air bleeding is required for normal operation. Bleeding must be done if any fuel system maintenance has been performed (replacement of fuel filter, etc.) or if the engine does not start after several attempts.

**Figure 5** applies to both 3JH5E, 3JH5AE and 4JH5E.



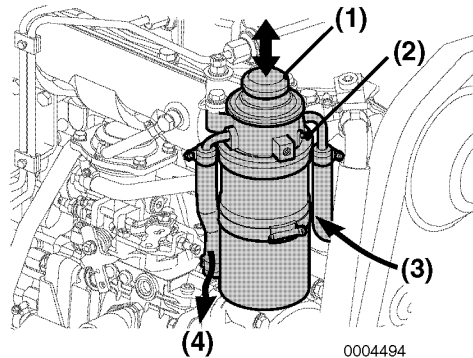
**Figure 5**

- 1 – Fuel Injector
- 2 – Fuel Filter
- 3 – Header (fuel filter)
- 4 – Electric Fuel Feed Pump
- 5 – Fuel Injection Pump

1. Check the fuel level in the fuel tank. Refill if necessary.
2. Open the fuel cock of the fuel tank.
3. To bleed air from the fuel filter, loosen the hose clamp on the return side fuel hose (**Figure 5, (4)**) at the T-joint. Remove the hose.

4. Push the power switch on to activate the electric fuel feed pump.
5. Continue pumping until a solid stream of fuel with no air bubbles begins to flow from the T-joint. Push the power switch off.
6. Install the return side fuel hose onto the T-joint. Tighten hose clamp.

## Bleeding the Fuel System - 4JH4-TE and 4JH4-HTE



**Figure 6**

- 1 – Priming Pump
- 2 – Air Bleed Screw
- 3 – From Fuel Tank
- 4 – To Fuel Injection Pump

1. Check the fuel level in the fuel tank. Refill if necessary.
2. Open the fuel cock of the fuel tank.

### **WARNING**

**Exposure Hazard.**  
**Always wear safety glasses when bleeding the fuel system.**

3. Loosen the air bleed screw (**Figure 6, (2)**) two to three turns.

4. Push up and down on the priming pump (**Figure 6, (1)**) to release air out of the air bleed screw.
5. Continue pumping until a solid stream of fuel with no air bubbles begins to flow.
6. Tighten the air bleed screw.

### NOTICE

Never use an engine starting aid such as ether. Engine damage will result.

---

## ENGINE OIL

### Engine Oil Specifications

Using engine oil that does not meet or exceed the following guidelines or specifications may cause seizure of parts, abnormal wear and shorten engine life.

### Service Categories

Use an engine oil that meets or exceeds the following guidelines and classifications:

- *4JH4-TE and 4JH4-HTE*: API Service Categories CD, CF, CF-4 and CI-4.
- *3JH5E, 3JH5AE and 4JH5E*: API Service Category CF, CF-4 and CI-4.
- SAE Viscosity:  
10W-30, 15W-40. Engine oil 10W-30 and 15W-40 can be used throughout the year.

### NOTICE

- Be sure the engine oil, engine oil storage containers and engine oil filling equipment are free of sediment or water.
  - Change the engine oil after the first 50 hours of operation and then at every 250 hours thereafter.
  - Select the oil viscosity based on the ambient temperature where the engine is being operated. See the SAE Service Grade Viscosity Chart (**Figure 7**).
  - Yanmar does not recommend the use of engine oil "additives".
-

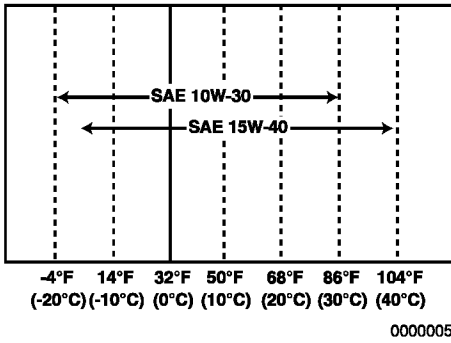


Figure 7

## Handling Engine Oil

1. When handling and storing engine oil, be careful not to allow dust and water to contaminate the oil. Clean around the filler port before filling.
2. Do not mix lube oils of different types or brands. Mixing may cause the chemical characteristics of the oil to change and lubricating performance to decrease, reducing the engine's life.
3. Engine oil should be replaced at the specified intervals, regardless if the engine has been operated.

## Engine Oil Viscosity

SAE 10W-30 or SAE 15W-40 are the recommended oil viscosities.

If you operate your equipment at temperatures outside the limits shown, consult your authorized Yanmar dealer or distributor for special lubricants or starting aids.

## Checking the Engine Oil

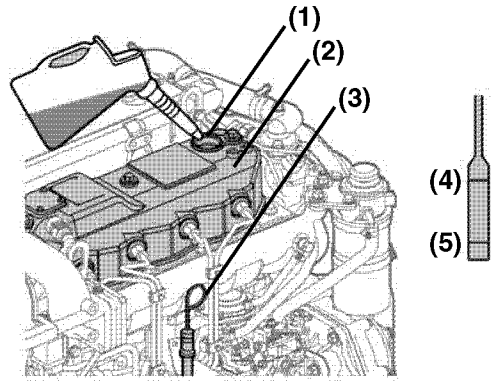


Figure 8

Note: 4JH4-TE shown. Other models are similar.

1. Make sure the engine is level.
2. Remove dipstick (**Figure 8, (3)**) and wipe with clean cloth.
3. Fully reinsert dipstick.
4. Remove dipstick. The oil level should be between upper (**Figure 8, (4)**) and lower (**Figure 8, (5)**) lines on the dipstick.
5. Add oil if necessary. See *Adding Engine Oil* on page 40.
6. Fully reinsert dipstick.

## Adding Engine Oil

1. Remove the yellow oil filler port cap from filler port (**Figure 8, (1)**) and fill with engine oil.

### NOTICE

Prevent dirt and debris from contaminating engine oil. Carefully clean the dipstick and the surrounding area before you remove the cap.

2. Fill with oil to the upper limit **(Figure 8, (4))** on the dipstick **(Figure 8, (3))**.

**NOTICE**

Never overfill the engine with engine oil.

3. Insert the dipstick fully to check the level.

**NOTICE**

Always keep the oil level between upper and lower lines on the oil cap / dipstick.

4. Hand-tighten the filler port cap securely.

**MARINE GEAR OR SAIL DRIVE OIL****Marine Gear Oil Specifications**

Use marine gear oil that meets or exceeds the following guidelines and classifications:

**KM35P, KM35A, KM35A2, KM4A1, KM4A2, KMH4A:**

- API Service Categories CD or higher
- SAE Viscosity #20 or #30

**ZF30M, ZF25A:**

- ATF (Automatic Transmission Fluid)

**Sail Drive Oil Specifications**

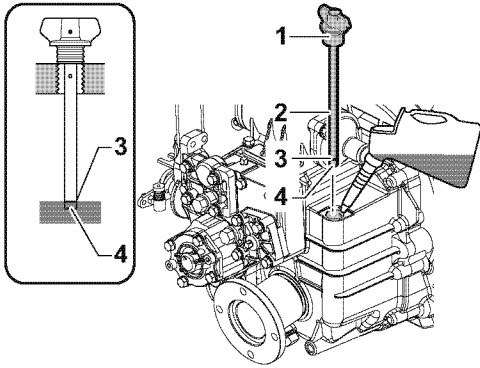
Refer to the *Operation Manual* of the sail drive for the procedure to fill or replace the sail drive oil.

**3JH5E, 3JH5AE, 4JH5E (SD60-5)  
4JH4-TE (SD60-4):**

- API Service Categories CD or higher
- SAE Viscosity 15W-40

## BEFORE YOU OPERATE

### Checking Marine Gear Oil



**Figure 9**

- 1 – Dipstick  
(Filler cap combined type)
- 2 – Marine Gear Filler Port
- 3 – Upper Limit
- 4 – Lower Limit (Dipstick end)

Note: 4JH4-HTE with KMH4A marine gear shown.

1. Make sure engine is level.
2. Remove the filler cap (**Figure 9, (1)**) at the top of the housing.
3. Remove dipstick (**Figure 9, (2)**) and wipe with clean cloth.
4. Re- insert the dipstick without screw in. See the illustration (**Figure 9**).
5. Remove dipstick. The oil level should be between upper (**Figure 9, (3)**) and lower (**Figure 9, (4)**) lines on the dipstick.
6. Screw in the dipstick.

### Adding Marine Gear Oil

1. Make sure the engine is level.
2. Remove the filler cap (**Figure 9, (1)**) at the top of the housing.
3. Fill with oil to the upper limit on the dipstick (**Figure 9, (3)**). See *Marine Gear Oil Specifications* on page 41.

### NOTICE

Never overfill the marine gear with oil.

4. Screw in the dipstick.
5. Tighten the filler port cap by hand.

### Checking and Adding Sail Drive Oil

Refer to the operation manual for SD60 for the procedure to check and fill the sail drive oil.



## **ENGINE COOLANT**

### **Engine Coolant Specifications**

Note: In the U.S., LLC is required for the warranty to be valid.

- Texaco Long Life Coolant (LLC), both standard and premixed, product code 7997 and 7998
- Havoline Extended Life Antifreeze / Coolant, product code 7994

Following the manufacturer's recommendations, use a proper LLC which will not have any adverse effects on the materials (cast iron, aluminum, copper, etc.) of the engine's cooling system.

Always use the mixing ratios specified by the antifreeze manufacturer for the temperature range.

### **Coolant (Closed Cooling System)**

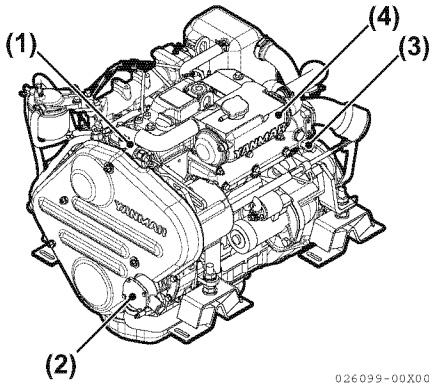
#### ***NOTICE***

Always add LLC to soft water especially when operating in cold weather. Never use hard water. Water should be clean and free from sludge or particles. Without LLC, cooling performance will decrease due to scale and rust in the coolant system. Water alone may freeze and form ice; it expands approximately 9% in volume. Use the proper amount of coolant concentrate for the ambient temperature as specified by the LLC manufacturer. LLC concentration should be a minimum of 30% to a maximum of 60%. Too much LLC will decrease the cooling efficiency. Excessive use of antifreeze also lowers the cooling efficiency of the engine. Never mix different types or brands of LLC, as a harmful sludge may form. Mixing different brands of antifreeze may cause chemical reactions, and may make the antifreeze useless or cause engine problems.

# BEFORE YOU OPERATE

## Checking and Adding Coolant

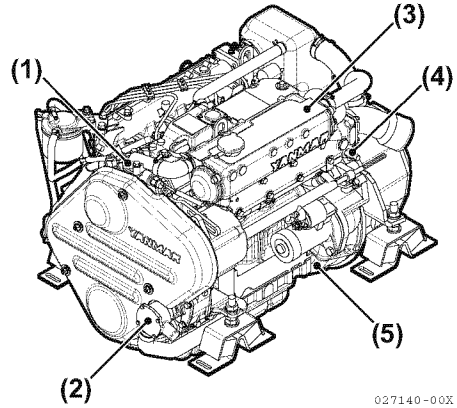
3JH5E / 3JH5AE



**Figure 10**

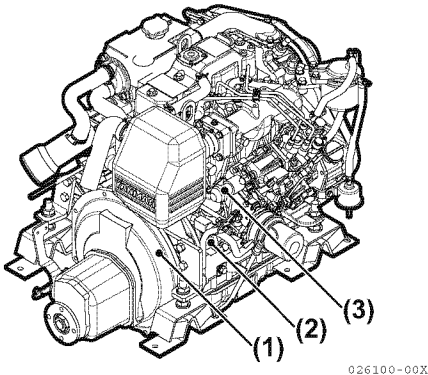
- 1 – Coolant Pump
- 2 – Seawater Drain from Seawater Pump Cover
- 3 – Coolant Drain Cock
- 4 – Coolant Tank (heat exchanger)

4JH5E



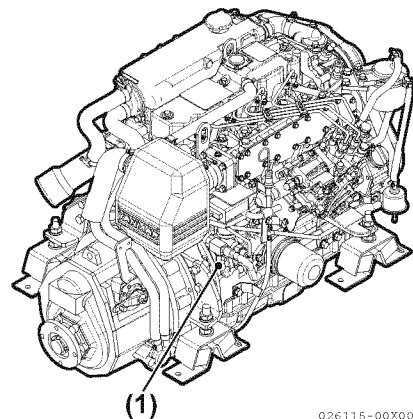
**Figure 12**

- 1 – Coolant Pump
- 2 – Seawater Drain from Seawater Pump Cover
- 3 – Coolant Tank (heat exchanger)
- 4 – Coolant Drain Cock
- 5 – Flywheel Housing



**Figure 11**

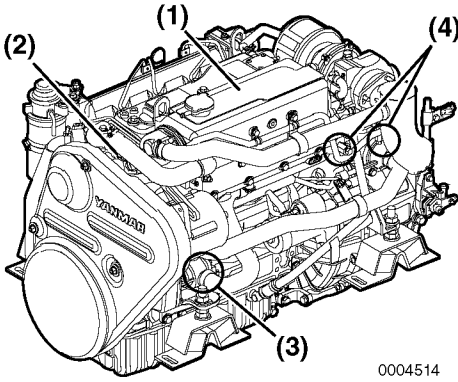
- 1 – Flywheel Housing
- 2 – Coolant Drain Cock
- 3 – Stop Solenoid



**Figure 13**

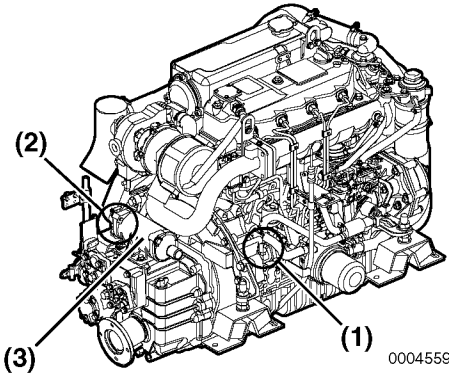
- 1 – Coolant Drain Cock

**4JH4-TE**



**Figure 14**

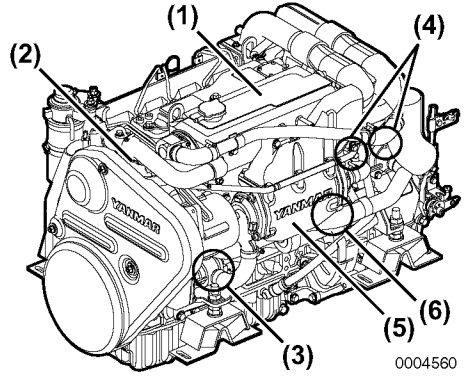
- 1 – Coolant Tank (heat exchanger)
- 2 – Coolant Pump
- 3 – Seawater Drain from Seawater Pump Cover
- 4 – Coolant Drain Cock (2 used)



**Figure 15**

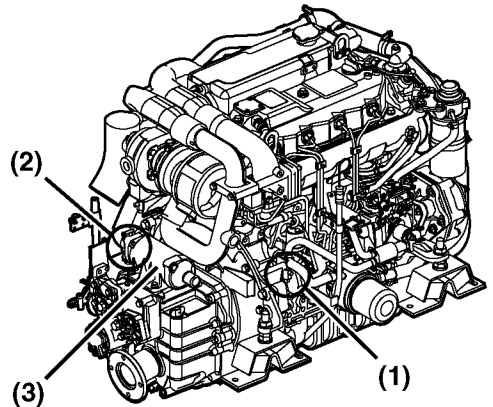
- 1 – Coolant Drain Cock
- 2 – Seawater Drain Cock
- 3 – Marine Gear Cooler

**4JH4-HTE**



**Figure 16**

- 1 – Coolant Tank (heat exchanger)
- 2 – Coolant Pump
- 3 – Seawater Drain from Seawater Pump Cover
- 4 – Coolant Drain Cock
- 5 – Air cooler
- 6 – Seawater Drain Cock



**Figure 17**

- 1 – Coolant Drain Cock
- 2 – Seawater Drain Cock
- 3 – Marine Gear Cooler

## BEFORE YOU OPERATE

1. Ensure all drain cocks are closed.

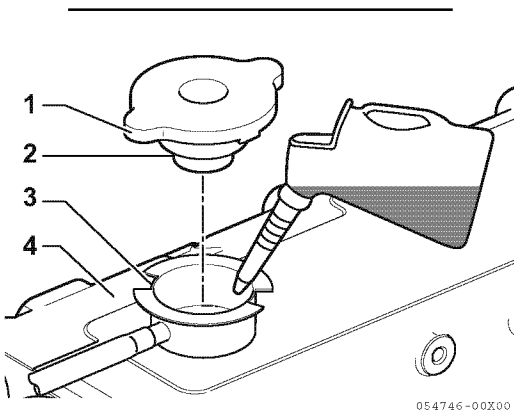
Note: The drain cocks are opened before shipping from the factory. Marine gear ZF25A does not have a drain cock on the clutch cooler.

2. Loosen the filler cap of coolant tank to relieve the pressure, then remove the filler cap.

### **WARNING**

#### **Burn Hazard.**

**Never remove the coolant filler cap if the engine is hot. Steam and hot engine coolant will spray out and seriously burn you. Allow the engine to cool down before you attempt to remove the cap.**



**Figure 18**

- 1 – Filler Cap Tabs
- 2 – Coolant Filler Cap
- 3 – Filler Port Notches
- 4 – Coolant Tank

3. Pour coolant slowly into coolant tank (**Figure 18, (4)**) to avoid air bubbles. Fill until coolant overflows from the filler port.

### **NOTICE**

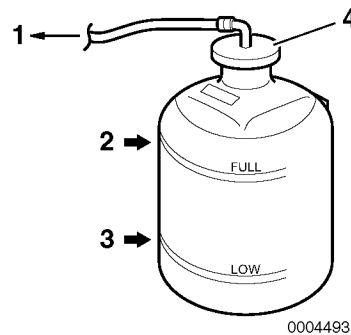
Never pour cold coolant into a hot engine.

4. Align filler cap tabs (**Figure 18, (1)**) with filler port notches (**Figure 18, (3)**) and tighten filler cap (**Figure 18, (2)**) firmly.

### **NOTICE**

Always tighten coolant tank cap securely after checking coolant tank. Steam can spray out during engine operation if the cap is loose.

- Note: The coolant level rises in the reservoir during operation. After stopping the engine, the coolant will cool down and the extra coolant will return to coolant tank.



**Figure 19**

5. Check the coolant level in the reservoir. The level should be at the FULL mark (**Figure 19, (2)**). Add coolant if necessary.

### **NOTICE**

Never pour cold coolant into a hot engine.

6. Remove reservoir cap (**Figure 19, (4)**) to add coolant if necessary. Do not add water.
7. Replace filler cap and tighten it firmly. Failure to do so will cause water leakage.

| Reservoir Capacity |
|--------------------|
| 0.8 L (0.85 qt)    |

8. Check the rubber hose (**Figure 19, (1)**) connecting the reservoir to coolant tank / heat exchanger. Replace if damaged.

Note: If the coolant runs low too often or the coolant level in coolant tank drops without any change in the level in the reservoir, there may be water or air leaks in the cooling system. Consult authorized Yanmar dealer or distributor.

## CRANKING THE ENGINE

### NOTICE

When the engine has not been used for a long period of time, engine oil will not be distributed to all of the operating parts. Using the engine in this condition will lead to seizure. After a long period of no use, distribute engine oil to each part by cranking. Perform in accordance with the following procedures before beginning operation.

1. Open seacock.
2. Open fuel cock.
3. Put remote control shift lever in NEUTRAL. *See Starting the Engine on page 51.*
4. Turn on the battery switch (if equipped).
5. Crank the engine.
  - 1- Push the power switch on the instrument panel and turn on the power.
  - 2- 3JH5E / 3JH5AE / 4JH5E models:  
Operate the starter while pushing in the emergency stop button (**Figure 20, (1)**) on the back of the fuel pump. This stops the fuel supply.
  - 4JH4-TE / 4JH4-HTE models:  
Operate the starter while moving and holding (**Figure 21, (1)**) the stop lever (**Figure 21, (2)**) on the governor to stop fuel flow.

When you push the start switch on the instrument panel while the emergency button is pushed in, the starter operates and the engine cranks.

# BEFORE YOU OPERATE

Crank the engine 5 seconds.

3JH5E / 3JH5AE / 4JH5E models:

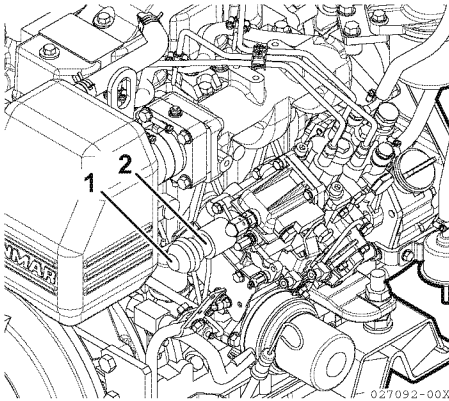


Figure 20

4JH4-TE / 4JH4-HTE models:

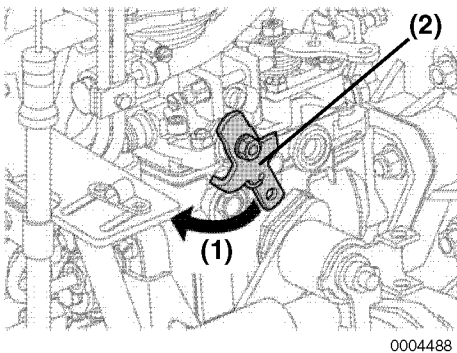


Figure 21

6. Continue cranking the engine for about 5 seconds, checking for abnormal sounds.

If you cannot find any abnormal sounds, push the power switch and turn off the engine.

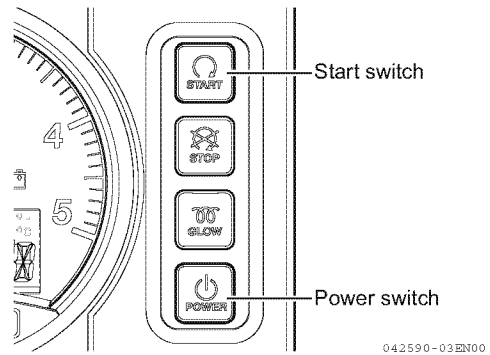


Figure 22

## ⚠ WARNING



Never touch or allow your clothes to touch the moving parts of the engine during operation. If a part of your body or clothing is caught in the front drive shaft, V-ribbed belt, propeller shaft, etc. serious injury may result. Check to see that no tools, pieces of cloth, etc. are left on or around the engine.

# ENGINE OPERATION

---

## INTRODUCTION

This section of the *Operation Manual* describes the diesel fuel, engine oil and engine coolant specifications and how to replenish them. It also describes the daily engine checkout.

## SAFETY PRECAUTIONS

Before performing any operations within this section, review the *Safety* section on page 5.

## WARNING

### Fire and Explosion Hazard

Never jump-start the engine. Sparks caused by shorting the battery to the starter terminals may cause a fire or explosion.



Only use the start switch on the instrument panel to start the engine.

### Sudden Movement Hazard

Be sure the boat is in open water away from other boats, docks or other obstructions before increasing engine speed. Avoid unexpected equipment movement. Shift the marine gear into the NEUTRAL position any time the engine is at idle.

To prevent accidental equipment movement, never start the engine in gear.

### Sever Hazard

Keep children and pets away while the engine is operating.



## NOTICE

If any indicator illuminates during engine operation, stop the engine immediately. Determine the cause and repair the problem before you continue to operate the engine.

If the alarm indicator with audible alarm fails to display and go out about 3 seconds after the ignition switch is turned on, consult authorized Yanmar Marine dealer or distributor for service before operating the engine.

If the vessel is equipped with a water lift (water lock) muffler, excessive cranking could cause seawater to enter the cylinders and damage the engine. If the engine does not start after cranking for 10 seconds, close the thru-hull water intake valve to avoid filling the muffler with water. Crank for 10 seconds at a time until the engine starts. When the engine does start, stop the engine immediately and turn off the switch.

Be sure to re-open the seacock and restart the engine. Operate the engine normally.

Observe the following environmental operating conditions to maintain engine performance and avoid premature engine wear:

- Avoid operating in extremely dusty conditions.
- Avoid operating in the presence of chemical gases or fumes.
- Never run the engine if the ambient temperature is above +40°C (+104°F) or below -16°C (+5°F).
- If the ambient temperature exceeds +40°C (+104°F), the engine may overheat and cause the engine oil to break down.
- If the ambient temperature is below -16°C (+5°F), rubber components such as gaskets and seals will harden causing premature engine wear and damage.



## NOTICE

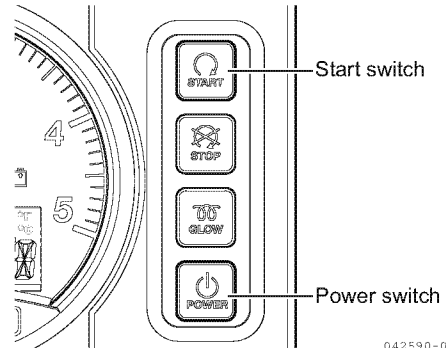
- Consult your authorized Yanmar Marine engine dealer or distributor if the engine will be operated outside of this standard temperature range.

Never engage the starter motor while the engine is running. Damage to the starter motor pinion and / or ring gear will result.

## STARTING THE ENGINE

1. Open the seacock (if equipped).
2. Open the fuel tank cock.
3. Put remote control handle in NEUTRAL.

Note: Safety equipment should make it impossible to start the engine in any other position than NEUTRAL.



**Figure 1**

4. Turn on the battery switch (if equipped). Do not turn off the battery switch during engine operation. Also, turn it off when the engine does not operate.
5. If the alarm buzzer and all alarm lamps operate when you turn on the power switch on the instrument panel, the warning devices operate correctly.
6. Pushing the start switch turns on the engine. Release the switch after the engine starts. If the alarm lamps and the alarm buzzer stops operating, the warning devices operate correctly.

## ENGINE OPERATION

---

### If the Engine Fails to Start

Before pushing the start switch again, be sure to confirm that the engine has stopped completely. If an attempt to restart is made while the engine is running, the pinion gear of the starter motor will be damaged.

#### NOTICE

Never hold for longer than 15 seconds or the starter motor will overheat.

---

Never attempt to restart the engine if the engine has not stopped completely. Pinion gear and starter motor damage will occur.

---

Note: Push and hold the start switch for a maximum of 15 seconds. If the engine does not start the first time, wait for about 15 seconds before trying again.

#### NOTICE

If the vessel is equipped with a water lift (water lock) muffler, excessive cranking could cause seawater to enter the cylinders and damage the engine. If the engine does not start after cranking for 15 seconds, close the thru-hull water intake valve to avoid filling the muffler with water. Crank for 10 seconds at a time until the engine starts. When the engine does start, stop the engine immediately and turn off the power switch. Be sure to re-open the seacock and restart the engine. Operate the engine normally.

---

### Air Bleeding the Fuel System After Starting Failure

If the engine does not start after several attempts, there may be air in the fuel system. If air is in the fuel system, fuel cannot reach the fuel injection pump. Bleed the air out of the system. See *Bleeding the Fuel System on page 38*.

### Starting at Low Temperatures

Comply with local environmental requirements. Use engine heaters to avoid starting problems and white smoke. Do not use starting aids.

#### NOTICE

Never use an engine starting aid such as ether. Engine damage will result.

---

To limit white smoke, run the engine at low speed and under moderate load until the engine reaches normal operating temperature. A light load on a cold engine provides better combustion and faster engine warm-up than no load.

Avoid running the engine at idling speed any longer than necessary.

## Starting with Air Heater (If Equipped)

1. Open the seacock (if equipped).
2. Open the fuel tank cock.
3. Put remote control handle in NEUTRAL.
4. Turn the battery switch on (if equipped).
5. Push the power switch on. Ensure that the instrument panel indicators light and the alarm sounds. This shows that indicators and alarm are working correctly.

Note: The coolant high temperature alarm indicator does not come on during start-up.

6. Push and hold the glow switch for 15 seconds.
7. Push the start switch. Release the start switch when the engine has started. The alarm should stop and the indicators should go out.

### NOTICE

*Never hold the start switch for longer than 15 seconds or the starter motor will overheat.*

## After the Engine has Started

After the engine has started, check the following items at a low engine speed:

1. Check that the gauges, indicators and alarm are normal.
  - Normal coolant operating temperature is approximately 76° to 90°C (169° to 194°F).
  - Normal oil pressure at 3000 min<sup>-1</sup> is 0.28 to 0.54 MPa (41 to 78 psi).
2. Check for water, fuel or oil leakage from the engine.
3. Check that the smoke color, engine vibration and sound are normal.
4. When there are no problems, keep the engine at low speed with the boat still stopped to distribute engine oil to all parts of the engine.
5. Check that sufficient cooling water is discharged from the seawater outlet. Operation with inadequate seawater discharge will damage the impeller of the seawater pump. If seawater discharge is too low, stop the engine immediately. Identify the cause and repair.

### NOTICE

The engine will seize if it is operated when seawater discharge is too small or if load is applied without any warming up operation.

For troubleshooting assistance, see ***Troubleshooting After Starting on page 89*** or ***Troubleshooting Chart on page 91***. If necessary, consult authorized Yanmar dealer or distributor.

## REMOTE CONTROL HANDLE OPERATION

### Acceleration and Deceleration

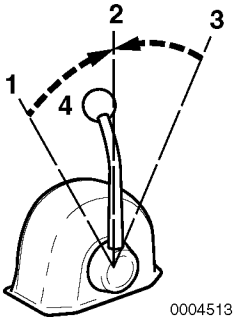


Figure 2

- 1 – FORWARD or REVERSE
- 2 – NEUTRAL
- 3 – REVERSE or FORWARD
- 4 – Throttle Handle / Shifting Handle

Note: Direction of travel will vary depending on installation location.

Use the throttle handle (Figure 2, (4)) to control acceleration and deceleration. Move the handle slowly.

### Shifting the Engine

#### **WARNING**

**Sudden Movement Hazard.** The boat will start to move when the marine gear is engaged:

- Ensure the boat is clear of all obstacles forward and aft.
- Quickly shift to the FORWARD position then back to the NEUTRAL position.
- Observe whether the boat moves in the direction you expect.

#### **NOTICE**

Shifting the marine gear while operating at high speed or not pushing the handle fully into position (partial engagement) will result in damage to marine gear parts and abnormal wear.

1. Before using the marine gear, be sure to move the throttle handle to a low idle position (less than 1000 min<sup>-1</sup>). Move the throttle handle slowly to a higher speed position after completing marine gear engagement.
2. When moving the handle between FORWARD (Figure 2, (1 or 3)) and REVERSE (Figure 2, (3 or 1)), bring the handle to NEUTRAL (Figure 2, (2)) and pause before slowly shifting to the desired position. Never shift abruptly from FORWARD to REVERSE or vice versa.

#### **NOTICE**

- Never shift the marine gear at high engine speed. During normal operation, the marine gear should only be shifted with the engine at idle.
- When sailing, set the remote control handle in NEUTRAL. Not doing so WILL introduce slippage or any damage and void your warranty.

### Switching to Trolling (KMH4A Only)

Use the trolling handle to begin trolling. When changing from FORWARD or REVERSE to trolling, the speed of the propeller revolution will be reduced to a minimum.



## ENGINE OPERATION

---

- Are there abnormal vibrations or noise?

### NOTICE

Excessive vibration may cause damage to the engine, marine gear, hull and onboard equipment. In addition, it causes able passenger and crew discomfort.

---

Depending on the hull structure, engine and hull resonance may suddenly become great at a certain engine speed range, causing heavy vibrations. Avoid operation in this speed range. If you hear any abnormal sounds, stop the engine and inspect.

- Alarm buzzer sounds during operation.

### NOTICE

If any alarm indicator with audible alarm sound appears on the display during engine operation, stop the engine immediately. Determine the cause and repair the problem before you continue to operate the engine.

---

- Is there water, oil or fuel leakage, or are there any loose bolts?

Check the engine room periodically for any problems.

- Is there sufficient diesel fuel in the diesel fuel tank?

Replenish diesel fuel before leaving the dock to avoid running out of fuel during operation.

- When operating the engine at low speed for long periods of time, race the engine once every 2 hours.

### NOTICE

Racing the engine: With the gear in NEUTRAL, accelerate from the low-speed position to the high-speed position and repeat this process about five times. This is done to clean out carbon from the cylinders and the fuel injection valve. Neglecting to race the engine will result in poor smoke color and reduce engine performance.

---

- If possible, periodically operate the engine at near maximum engine speed while underway. This will generate higher exhaust temperatures, which will help clean out hard carbon deposits, maintaining engine performance and prolonging the life of the engine.

### NOTICE

Never turn off the battery switch (if equipped) or short the battery cables during operation. Damage to the electric system will result.

---

## SHUTTING DOWN THE ENGINE

### Normal Shutdown

1. Reduce engine speed to low idle and put remote control handle in NEUTRAL.
2. Accelerate from low speed to high speed and repeat five times. This will clean out the carbon from the cylinders and the fuel injection nozzles.
3. Allow engine to run at low speed (approximately 1000 min<sup>-1</sup>) without load for 5 minutes.

### NOTICE

For maximum engine life, Yanmar recommends that when shutting the engine down, you allow the engine to idle, without load, for 5 minutes. This will allow the engine components that operate at high temperatures, such as the turbocharger (if equipped) and exhaust system, to cool slightly before the engine itself is shut down.

### NOTICE

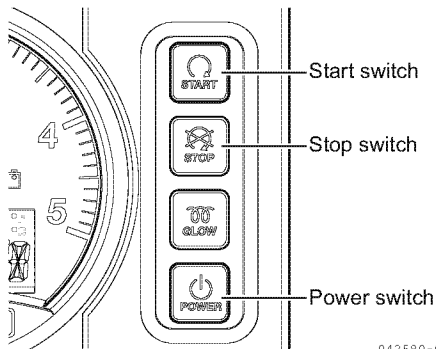
Continue to hold the stop switch in until the engine is completely stopped. If the switch is released before the engine has completely stopped, it may restart. If the engine does not shut down, see **Emergency Shutdown on page 58**.

5. Turn off the battery switch (if equipped).
6. Close the fuel cock.
7. Close the seacock (if equipped).

- Be sure to close the seacock.

Neglecting to close the seacock could allow water to leak into the boat and may cause it to sink.

- If seawater is left inside the engine, it may freeze and damage parts of the cooling system when the ambient temperature is below 0°C (32°F).



042590-03EN01

**Figure 4**

4. Push and hold the stop switch.  
After the engine has stopped, push the power switch off.

## Emergency Shutdown

### NOTICE

Never use the emergency stop switch for a normal engine shutdown. Use this switch only when stopping the engine suddenly in an emergency.

#### 3JH5E / 3JH5AE / 4JH5E

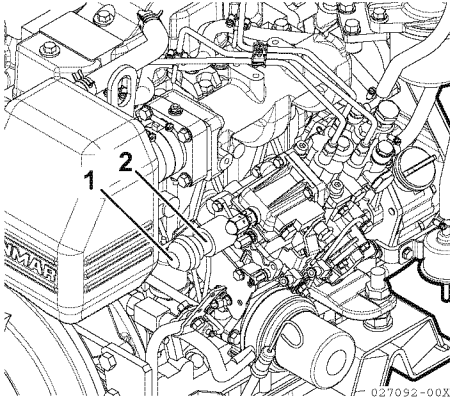


Figure 5

If the engine cannot be shut down by the stop switch on the panel, stop the engine by pushing the button (Figure 5, (1)) at the back of the stop solenoid (Figure 5, (2)).

#### 4JH4-TE / 4JH4-HTE

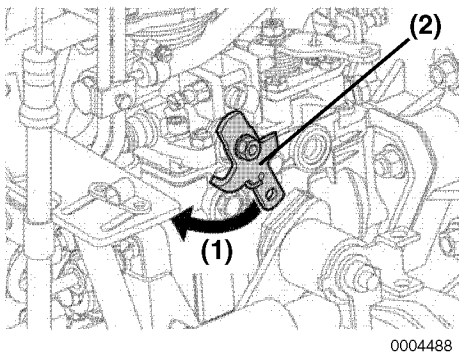


Figure 6

If the engine cannot be shut down by the stop switch on the panel, stop the engine by moving the stop lever (Figure 6, (2)) by hand to the left (Figure 6, (1)). The lever is attached to the fuel injection pump.

### WARNING

**Sever Hazard.**

Always keep hands, body parts and loose-fitting clothes away from moving / rotating parts such as the flywheel or PTO shaft.

## CHECKING THE ENGINE AFTER OPERATION

- Check that the power switch is off and that the battery switch (if equipped) is turned to off.
- Fill the fuel tank. See *Filling the Fuel Tank* on page 37.
- Close seawater cock(s).
- If there is a risk of freezing, check that the cooling system contains enough coolant. See *Engine Coolant Specifications* on page 43.
- If there is a risk of freezing, drain the seawater system. See *Drain Seawater Cooling System* on page 94.
- At temperatures below 0°C (32°F), drain seawater system and connect the engine heater (if equipped).



# PERIODIC MAINTENANCE

---

## INTRODUCTION

This section of the *Operation Manual* describes the procedures for proper care and maintenance of the engine.

## SAFETY PRECAUTIONS

Before performing any maintenance procedures within this section, read the following safety information and review the *Safety* section on page 5.

### WARNING

#### **Crush Hazard**



If the engine needs to be transported for repair, have a helper assist you attach it to a hoist and load it on a truck.

---

The engine lifting eyes are engineered to lift the weight of the marine engine only. Always use the engine lifting eyes when lifting the engine.

---

Additional equipment is necessary to lift the marine engine and marine gear together. Always use lifting equipment with sufficient capacity to lift the marine engine.

---

### **WARNING**

#### **Welding Hazard**

- Always turn off the battery switch (if equipped) or disconnect the negative battery cable and the leads to the alternator when welding on the equipment.
- Remove the engine control unit multi-pin connector. Connect the weld clamp to the component to be welded and as close as possible to the welding point.
- Never connect the weld clamp to the engine or in a manner which would allow current to pass through a mounting bracket.
- When welding is completed, reconnect the alternator and engine control unit prior to reconnecting the batteries.

---

#### **Entanglement Hazard**



Never leave the power switch on when you are servicing the engine. Someone may accidentally start the engine and not

realize you are servicing it.

---

#### **Shock Hazard**



Always turn off the battery switch (if equipped) or disconnect the negative battery cable before servicing the equipment.

---

Always keep the electrical connectors and terminals clean. Check the electrical harnesses for cracks, abrasions, and damaged or corroded connectors.

---

Never use undersized wiring for the electrical system.

---

#### **Tool Hazard**

Always remove any tools or shop rags used during maintenance from the area before operation.

### **NOTICE**

Any part which is found defective as a result of inspection, or any part whose measured value does not satisfy the standard or limit, must be replaced.

---

Modifications may impair the engine's safety and performance characteristics and shorten the engine's life. Any alterations to this engine may void its warranty. Be sure to use Yanmar genuine replacement parts.

---

## PRECAUTIONS

### The Importance of Periodic Maintenance

Engine deterioration and wear occur in proportion to the length of time the engine has been in service and the conditions the engine is subjected to during operation. Periodic maintenance prevents unexpected downtime, reduces the number of accidents due to poor machine performance and helps extend the life of the engine.

### Performing Periodic Maintenance

#### WARNING

#### Exhaust Hazard.

**Never block windows, vents, or other means of ventilation if the engine is operating in an enclosed area. All internal combustion engines create carbon monoxide gas during operation. Accumulation of this gas within an enclosure could cause illness or even death. Make sure that all connections are tightened to specifications after repair is made to the exhaust system. Failure to comply could result in death or serious injury.**

### The Importance of Daily Checks

The Periodic Maintenance Schedule assumes that the daily checks are performed on a regular basis. Make it a habit to perform daily checks before the start of each operating day. See *Daily Checks on page 70*.

### Keep a Log of Engine Hours and Daily Checks

Keep a log of the number of hours the engine is run each day and a log of the daily checks performed. Also note the date, type of repair (e.g., replaced alternator) and parts used for any service needed between the periodic maintenance intervals. Periodic maintenance intervals are every 50, 250, 500 and 1000 engine hours. Failure to perform periodic maintenance will shorten the life of the engine.

#### NOTICE

Failure to perform periodic maintenance will shorten the life of the engine and may void the warranty.

### Yanmar Replacement Parts

Yanmar recommends that you use genuine Yanmar parts when replacement parts are needed. Genuine replacement parts help ensure long engine life.

### Tools Required

Before you start any periodic maintenance procedure, make sure you have the tools you need to perform all of the required tasks.

### Ask Your Authorized Yanmar Marine Dealer or Distributor for Help

Our professional service technicians have the expertise and skills to help you with any maintenance or service related procedures you need help with.

# PERIODIC MAINTENANCE

## Tightening Fasteners

Use the correct amount of torque when you tighten fasteners on the engine. Applying excessive torque may damage the fastener or component and not enough torque may cause a leak or component failure.

### NOTICE



The tightening torque in the Standard Torque Chart should be applied only to the bolts with a “8.8” head (JIS strength classification: 8.8). Apply 60% torque to bolts that are not listed. Apply 80% torque when tightened to aluminum alloy.

| Bolt Diameter x Pitch (mm) |       | M6x1.0     | M8x1.25    | M10x1.5    | M12x1.75    | M14x1.5      | M16x1.5      |
|----------------------------|-------|------------|------------|------------|-------------|--------------|--------------|
| Tightening Torque          | N·m   | 10.8 ± 1.0 | 25.5 ± 3.0 | 49 ± 5.0   | 88.2 ± 10.0 | 140.0 ± 10.0 | 230.0 ± 10.0 |
|                            | ft·lb | 8.0 ± 0.7  | 18.8 ± 2.2 | 36.2 ± 3.7 | 65.1 ± 7.4  | 103 ± 7.2    | 170 ± 7.2    |

| Taper Plugs       |       | 1/8 | 1/4  | 3/8  | 1/2  |
|-------------------|-------|-----|------|------|------|
| Tightening Torque | N·m   | 9.8 | 19.6 | 29.4 | 58.8 |
|                   | ft·lb | 7.4 | 14.5 | 21.7 | 43.2 |

When lock adhesive is applied, decide separately.

| Pipe Joint Bolts  |       | M8         | M10        | M12        | M14        | M16        |
|-------------------|-------|------------|------------|------------|------------|------------|
| Tightening Torque | N·m   | 14.7 ± 2   | 22.5 ± 3   | 29.4 ± 5   | 14.1 ± 5   | 53.9 ± 5   |
|                   | ft·lb | 10.9 ± 1.5 | 16.6 ± 2.2 | 21.7 ± 3.7 | 32.6 ± 3.7 | 69.8 ± 3.7 |

When seal washer applied, torque is 34 ± 5 N·m (25.1 ± 3.7 ft·lb).

## Main Bolt and Nuts

| Name  |                        | Thread Diameter x Pitch | Lubricating Oil Application (thread portion and seat surface) | Torque N·m (ft·lb)          |
|---|------------------------|-------------------------|---|-----------------------------|
| Head bolt                                     |                        | M10x1.25                | Yes   | 88.2 ± 3 (65.1 ± 2.2)       |
| Con-rod bolt                                  |                        | M9x1.0                  | Yes   | 44.1 to 49.1 (32.6 to 36.3) |
| Flywheel bolt                                 |                        | M10x1.25                | Yes   | 83.3 to 88.3 (61.5 to 65.2) |
| Metal cap bolt                                |                        | M12x1.5                 | Yes   | 98 ± 2 (72.3 ± 1.5)         |
| Crank pulley bolt (Material of pulley: FC300) |                        | M14x1.5                 | Yes   | 88.2 ± 5 (65.1 ± 3.7)       |
| Nozzle fastening bolt                         |                        | M8x1.25                 | —   | 26.4 ± 2 (19.5 ± 1.5)       |
| FIP gear fastening bolt                       | 3JH5E / 3JH5AE / 4JH5E | M8x1.0                  | —   | 34.3 ± 2 (25.3 ± 1.5)       |
|   | 4JH4-TE / 4JH4-HTE     | M14x1.5                 | Yes   | 64 ± 5 (41.6 ± 3.7)         |
| High pressure pipe nut                        |                        | M12x1.5                 | —   | 29.4 to 34.4 (21.7 to 25.4) |
| Starter relay nut                             |                        | M6x1                    | —   | 3.6 ± 0.6 (2.7 ± 0.4)       |

### **EPA MAINTENANCE REQUIREMENTS**

To maintain optimum engine performance and compliance with the Environmental Protection Agency (EPA) Regulations for Engines, it is essential that you follow the *Periodic Maintenance Schedule on page 66* and the *Periodic Maintenance Procedures on page 70*.

#### **EPA Requirements for USA and Other Applicable Countries**

The EPA emission regulation is applicable only in the USA and other countries that have adopted the EPA requirements in part or in whole. Determine and follow the emission regulations in the country where your engine will be operating to assist you in specified compliance.

## PERIODIC MAINTENANCE

---

### Environmental Condition for operation and maintenance

The following environmental operating conditions and maintenance should be observed, in order to keep engine performance.

- Ambient temperature: -20° to +40°C (-4°F to +104°F)
- Relative humidity: 80% or lower

The diesel fuel should be:

- ASTM D975 No. 1-D S15, No. 2-D S15, or equivalent (minimum of cetane No. 45)

The lubricating oil should be:

- 3JH5AE: Type API, Class CF, CF-4 and CI-4

Be sure to perform inspections as outlined in *Periodic Maintenance Procedures on page 70* and keep a record of the results.

Pay particular attention to these important points:

- Replacing the engine oil
- Replacing the engine oil filter
- Replacing the fuel filter
- Cleaning the intake silencer (air cleaner)

Note: *Inspections are divided into two sections in accordance with who is responsible for performing the inspection: the user or the maker.*

Note: *From 2012, the 4JH4-HTE engine does not comply with the EPA emission control standards.*

*From 2014, the 3JH5E, 4JH5E, and 4JH4-TE engines do not comply with the EPA emission control standards.*

## **Inspection and Maintenance**

See *Inspection and Maintenance of EPA Emission-Related Parts on page 69* for the EPA emission-related parts. Inspection and maintenance procedures not shown in *Inspection and Maintenance of EPA Emission-Related Parts on page 69* are covered in *Periodic Maintenance Schedule on page 66*.

This maintenance must be performed to keep the emission values of your engine in the standard values during the warranty period. The warranty period is determined by the age of the engine or the number of hours of operation.

## **Installation of Exhaust Sampling Port**

All engines subject to emission standards shall be equipped with a connection in the engine exhaust system that is located downstream of the engine, and before any point at which the exhaust contacts water (or any other cooling / scrubbing medium), for the temporary attachment of gaseous and / or particulate emissions sampling equipment. This connection shall be internally threaded with standard pipe threads of a size not larger than 12.7 mm (0.5 in.), and shall be closed by a pipe plug when not in use. Equivalent connections are allowed.

The instructions for the proper installation and location of the required sample port, in addition to those specified above in the quoted federal regulation, are as follows:

1. The connection should be located as far downstream as reasonably practicable from any sharp bend (of 30 degrees or more) in the exhaust pipe to help ensure that a well-mixed exhaust flow sample may be taken;
2. The requirement that the connection be located before any point at which the exhaust contacts water (or any other cooling / scrubbing medium) does not include contact with water used to cool exhaust manifolds, unless the water is allowed to come into direct contact with the exhaust gases;
3. To allow ready access to the sample port, the connection should be located, if possible given the constraints of vessel design, approximately 0.6 to 1.8 m (2 to 6 ft) above a deck or walkway;
4. To facilitate insertion and withdrawal of an exhaust sample probe, there should be no obstructions for at least one and one-half exhaust pipe / stack diameters perpendicular, i.e., 90 degrees, from the sample port; and
5. If a threaded connection is used, both the internal and external threads should be coated with a high-temperature, anti-seize compound before the initial installation and at every subsequent re-installation to facilitate removal of the connection for testing.

### PERIODIC MAINTENANCE SCHEDULE

Daily and periodic maintenance is important to keep the engine in good operating condition. The following is a summary of maintenance items by periodic maintenance intervals. Periodic maintenance intervals vary depending on engine application, loads, diesel fuel and engine oil used and are hard to establish definitively. The following should be treated only as a general guideline.

#### **NOTICE**

Establish a periodic maintenance plan according to the engine application and make sure to perform the required periodic maintenance at the intervals indicated. Failure to follow these guidelines will impair the engine's safety and performance characteristics, shorten the engine's life and may affect the warranty coverage on your engine.

*Consult authorized Yanmar Marine dealer or distributor for assistance when checking items marked with a ●.*

---



# PERIODIC MAINTENANCE

○: Check or Clean ◇: Replace ●: Consult your authorized Yanmar Marine dealer or distributor

| System             | Item   |                           | Periodic Maintenance Interval  |  |  |   |  |
|--------------------|--|---------------------------|--|--|--|---|--|
|                    |  |                           | Daily<br><i>See Daily Checks on page 70.</i>   | Every 50 hours or monthly which-ever comes first | Every 250 hours or 1 year which-ever comes first | Every 500 hours or 2 years which-ever comes first | Every 1000 hours or 4 years which-ever comes first |
| Whole              | Visual inspection of engine exterior   |                           | ○  |  |  |   |  |
| Fuel System        | Check the fuel level and refill if necessary   |                           | ○  |  |  |   |  |
|                    | Drain water and sediment from fuel tank  |                           |  | ○<br>Initial 50                                  | ○  |   |  |
|                    | Drain the fuel / water separator   |                           |  | ○  |  |   |  |
|                    | Replace the fuel filter element  |                           |  |  | ◇  |   |  |
|                    | Check the fuel injection timing  |                           |  |  |  |   | ●  |
|                    | Check the fuel injector spray pattern For EPA requirements, see <i>Inspection and Maintenance of EPA Emission-Related Parts on page 69</i> . |                           |  |  |  |   | ●*   |
| Lubricating System | Check the lube oil level   | Engine                    | ○  |  |  |   |  |
|                    |  | Marine Gear               | ○  |  |  |   |  |
|                    | Replace the lube oil   | Engine                    |  | ◇<br>Initial 50                                  | ◇  |   |  |
|                    |  | Marine Gear               |  | ◇<br>Initial 50                                  | ◇  |   |  |
|                    | Replace the oil filter element   | Engine                    |  | ◇<br>Initial 50                                  | ◇  |   |  |
|                    |  | Marine Gear (if equipped) |  | ◇<br>Initial 50                                  | ◇  |   |  |
| Cooling System     | Seawater outlet  |                           | ○<br>During Operation  |  |  |   |  |
|                    | Check coolant level  |                           | ○  |  |  |   |  |
|                    | Check or replace the seawater pump impeller  |                           |  |  | ○  |   | ◇  |
|                    | Replace coolant  |                           | Every year. When Long Life Coolant is used, replace every 2 years. See <i>Engine Coolant Specifications on page 43</i> . |  |  |   |  |
|                    | Clean and check the seawater passages  |                           |  |  |  |   | ●  |

# PERIODIC MAINTENANCE

○: Check or Clean ◇: Replace ●: Consult your authorized Yanmar Marine dealer or distributor

| System                                  | Item  | Periodic Maintenance Interval                  |  |   |   |  |
|---|---|--|--|---|---|--|
|   |   | Daily<br>See Daily<br>Checks<br>on<br>page 70. | Every 50<br>hours or<br>monthly<br>which-ever<br>comes first | Every 250<br>hours or 1<br>year which-<br>ever comes<br>first | Every 500<br>hours or 2<br>years<br>which-ever<br>comes first | Every 1000<br>hours or 4<br>years<br>which-ever<br>comes first |
| Air Intake<br>and<br>Exhaust<br>System  | Clean intake silencer (air cleaner) element                                 |  |  | ○   |   |  |
|   | Clean or replace the exhaust / water mixing elbow                           |  |  | ○   | ◇   |  |
|   | Wash the turbocharger blower - 4JH4-TE or 4JH4-HTE                          |  |  | ●   |   |  |
|   | Check diaphragm assembly 3JH5E / 3JH5AE / 4JH5E                             |  |  |   |   | ●  |
| Electrical<br>System                    | Check the alarm and indicators  | ○  |  |   |   |  |
|   | Check the electrolyte level in the battery                                  |  | ○  |   |   |  |
|   | Adjust the tension of the alternator V-ribbed belt or replace V-ribbed belt |  | ○<br>Initial 50  | ○   |   | ◇  |
|   | Check the wiring connectors   |  |  | ○   |   |  |
| Engine<br>Cylinder<br>Head and<br>Block | Check for leakage of fuel, engine oil and engine coolant                    | ○<br>After starting                            |  |   |   |  |
|   | Tighten all major nuts and bolts  |  |  | ●   |   |  |
|   | Adjust intake / exhaust valve clearance                                     |  | ● Initial 50   |   |   | ●  |
| Miscellaneous<br>Items                  | Check the remote control cable operation                                    |  | ○ Initial 50   |   |   | ●  |
|   | Adjust the propeller shaft alignment  |  | ● Initial 50   |   |   | ●  |
|   | Replace rubberized hoses (fuel and water)                                   | Replace every 2 years.                         |  |   |   |  |

\* For EPA requirements, see *Inspection and Maintenance of EPA Emission-Related Parts* on page 69 .

Note: These procedures are considered normal maintenance and are performed at the owner's expense.

**Inspection and Maintenance of EPA Emission-Related Parts**

- Marine diesel engines less than 37 kW: 3JH5AE is certified as EPA CI marine engine and CARB non-road engine

**Inspection and Maintenance of EPA Emission-Related Parts for Non-Road and CI Marine Engines**

| <b>Parts</b>  | <b>Minimum Interval</b> |
|---|-------------------------|
| Clean fuel injection nozzle   | 1500 hours              |
| Check fuel injection nozzle pressure and spray pattern                                      | 3000 hours              |
| Check fuel injection pump adjustment  |                         |
| Check turbocharger adjustment (if equipped)   |                         |
| Check electronic engine control unit and its associated sensors and actuators (if equipped) |                         |

Note: Yanmar recommends that the inspection and maintenance items shown above be performed at an authorized Yanmar dealer or distributor.

### PERIODIC MAINTENANCE PROCEDURES

#### WARNING

**Exposure Hazard.**

**Always wear personal protective equipment when performing periodic maintenance procedures.**

---

#### Daily Checks

Before you head out for the day, make sure the Yanmar engine is in good operating condition.

#### NOTICE

It is important to perform the daily checks as listed in this Operation Manual. Periodic maintenance prevents unexpected downtime, reduces the number of accidents due to poor engine performance and helps extend the life of the engine.

---

Make sure you check the following items.

#### Visual Checks

1. Check for engine oil leaks.
2. Check for fuel leaks.

#### WARNING

**Piercing Hazard.**

**Avoid skin contact with the high-pressure diesel fuel spray caused by a fuel system leak, such as a broken fuel injection line.**

**High-pressure fuel can penetrate your skin and result in serious injury. If you are exposed to high-pressure fuel spray, obtain prompt medical treatment.**

**Never check for a fuel leak with your hands.**

**Always use a piece of wood or cardboard. Have your authorized Yanmar Marine dealer or distributor repair any damage.**

---

3. Check for engine coolant leaks.
4. Check for damaged or missing parts.
5. Check for loose, missing or damaged fasteners.
6. Check the electrical harnesses for cracks, abrasions, and damaged or corroded connectors.
7. Check hoses for cracks, abrasions, and damaged, loose or corroded clamps.
8. Check the fuel filter / water separator for presence of water and contaminants. If you find any water or contaminants, drain the fuel filter / water separator. *See Draining Fuel Filter / Water Separator on page 76.* If you have to drain the fuel filter / water separator frequently, drain the fuel tank and check for the presence of water in your fuel supply. *See Draining the Fuel Tank on page 71.*

#### NOTICE

If any problem is noted during the visual check, the necessary corrective action should be taken before operating the engine.

---

#### Check Diesel Fuel, Engine Oil and Engine Coolant Levels

Follow the procedures in *Diesel Fuel on page 34*, *Engine Oil on page 39* and *Engine Coolant on page 43* to check these levels.

## Checking and Refilling Marine Gear Oil

Refer to the *Operation Manual* for the marine gear.

## Checking the Battery Electrolyte Level

Check the battery electrolyte level before use. **See *Checking the Battery Electrolyte Level (Serviceable Batteries Only)* on page 78.**

## Checking the Alternator Belt

Check the belt tension before use. *See **Checking and Adjusting the Alternator V-ribbed belt Tension** on page 73.*

## Checking the Remote Control Handle

Check the operation of the remote control handle and ensure it moves smoothly. If it is hard to operate, grease the joints of the remote control cable and lever bearings. If the lever is too loose, adjust the remote control cable. *See **Checking and Adjusting Remote Control Cables** on page 74.*

## Checking the Alarm Indicators

When operating the start switch on the instrument panel, check that there is no alarm message on the display and the alarm indicators work normally. *See **Control Equipment** on page 23.*

## Preparing Fuel, Oil and Coolant in Reserve

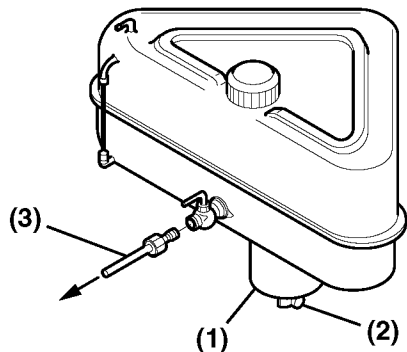
Prepare sufficient fuel for the days operation. Always store engine oil and coolant in reserve (for at least one refill) onboard, to be ready for emergencies.

## After Initial 50 Hours of Operation

Perform the following maintenance after the initial 50 hours of operation.

- **Draining the Fuel Tank**
- **Changing the Engine Oil and Replacing the Engine Oil Filter Element**
- **Changing the Marine Gear Oil and Replacing the Marine Gear Oil Filter (If Equipped)**
- **Checking and Adjusting the Alternator V-ribbed belt Tension**
- **Inspecting and Adjusting Intake / Exhaust Valve Clearance**
- **Checking and Adjusting the Remote Control Cables**
- **Adjusting Propeller Shaft Alignment**

## Draining the Fuel Tank



0004542

**Figure 1**

Note: Optional fuel tank shown. Actual equipment may differ.

## PERIODIC MAINTENANCE

1. Put a pan under the drain cock (**Figure 1, (2)**) to catch fuel.
2. Open the drain cock and drain water and sediment. Close the drain cock when the fuel is clean and free of air bubbles.

### Changing the Engine Oil and Replacing the Engine Oil Filter Element

The engine oil on a new engine becomes contaminated from the initial break-in of internal parts. It is very important that the initial oil replacement is performed as scheduled.

It is easiest and most available to drain the engine oil after operation while the engine is still warm.

#### **WARNING**

##### **Burn Hazard.**

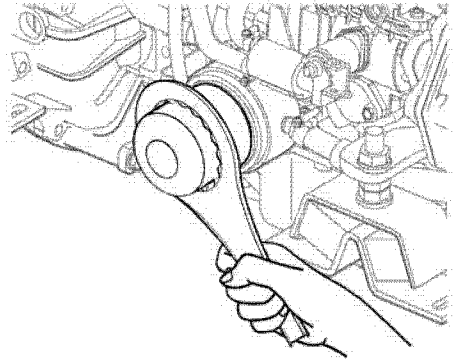
**If you must drain the engine oil while it is still hot, stay clear of the hot engine oil to avoid being burned. Always wear eye protection.**

1. Turn the engine off.
2. Remove the engine oil dipstick. Attach the oil drain pump (if equipped) and pump out the oil.  
For easier draining, remove the engine oil fill cap. Dispose of used oil properly.

#### **NOTICE**

- Prevent dirt and debris from contaminating engine oil. Carefully clean the dipstick and the surrounding area before removing the dipstick.
- Always be environmentally responsible.

3. Remove the engine oil filter (**Figure 2**) with a filter wrench (turn counterclockwise).



0004508

**Figure 2**

Note: 4JH4-TE shown.

4. Install a new filter element and tighten by hand until the seal touches the housing.
5. Turn filter an additional 3/4 turn clockwise with a box wrench. Tighten to 20 to 24 N·m (177 to 212 in.-lb).
6. Fill with new engine oil. See *Adding Engine Oil* on page 40.

#### **NOTICE**

Never mix different types of engine oil. This may adversely affect the lubricating properties of the engine oil. Never overfill. Overfilling may result in white exhaust smoke, engine overspeed or internal damage.

7. Perform a trial run and check for oil leaks.
8. Approximately 10 minutes after stopping the engine, remove the oil dipstick and check the oil level. Add oil if the level is too low.

#### **NOTICE**

Be careful not to get any oil on the V-ribbed belt. Oil on the belt causes slipping and stretching. Replace the belt if it is damaged.

## Changing the Marine Gear Oil and Replacing the Marine Gear Oil Filter (If Equipped)

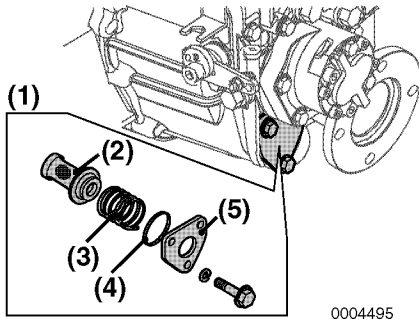


Figure 3

0004495

Note: 4JH4-TE / 4JH4-HTE engines with KMH4A marine gear shown. Refer to the Operation Manual for the marine gear or sail drive for procedure.

1. Remove cap from the filler port and attach an oil drain pump. Drain marine gear oil.

### NOTICE

Always be environmentally responsible.

2. **KMH4A Marine Gear:**  
Wash the marine gear oil filter:
  - (a) Remove side cover (**Figure 3, (5)**) and remove the filter (**Figure 3, (2)**).
  - (b) Clean the filter thoroughly with kerosene or clean diesel fuel.
  - (c) Hold the filter in place with the coil spring (**Figure 3, (3)**) and insert into the case. Install a new O-ring (**Figure 3, (4)**) in the side cover.
  - (d) Install side cover and tighten side cover bolts.
3. Fill marine gear with clean marine gear oil. See *Marine Gear Oil Specifications* on page 41.

4. Perform a trial run and check for oil leaks.
5. Approximately 10 minutes after stopping the engine, remove the oil dipstick and check the oil level. Add oil if the level is too low.

## Checking and Adjusting the Alternator V-ribbed belt Tension

### WARNING

Sever Hazard.

Perform this check with the power switch off and the battery switch turned off to avoid contact with moving parts.

### NOTICE

- When there is not enough tension in the V-ribbed belt, it will slip and the coolant pump will fail to supply coolant. Engine overheating and seizure will result.
- Never get any oil on the belt(s). Oil on the belt causes slipping and stretching. Replace the belt if it is damaged.

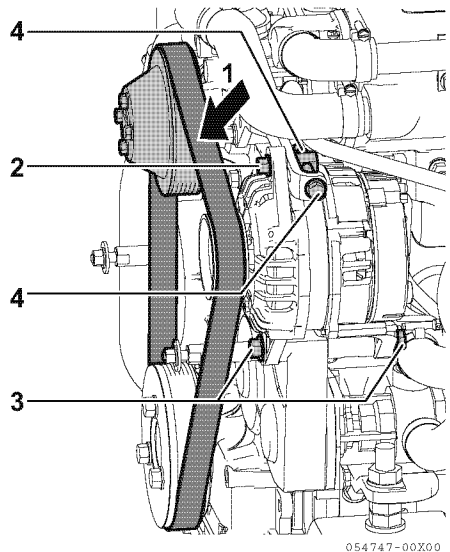


Figure 4

054747-00X00

Note: 4JH4-HTE shown.

## PERIODIC MAINTENANCE

1. Remove the belt cover.
2. Check the belt by pushing on the middle of the belt (**Figure 4, (1)**) with your finger.  
With proper tension, the belt should deflect 8 to 10 mm (approximately 3/8 in.).
3. Loosen the 3 bolts of alternator (**Figure 4, (2) (3) (4)**).
4. Screw in the adjusting bolt (**Figure 4, (4)**) and move the alternator to adjust the belt tension properly.
5. Tighten the 3 bolts of the alternator.
6. Install the belt cover.

### Inspecting and Adjusting Intake / Exhaust Valve Clearance

Proper adjustment is necessary to maintain the correct timing for opening and closing the valves. Improper adjustment will cause the engine to run noisily, resulting in poor engine performance and engine damage. Consult authorized Yanmar Marine dealer or distributor to adjust the intake / exhaust valve clearance.

### Checking and Adjusting Remote Control Cables

#### NOTICE

Never adjust the high-speed stop bolt on the governor. This will void the engine warranty.

#### Adjusting Engine Speed Remote Control Cable

Ensure the control lever on the engine side moves to the high-speed stop position and low-speed stop position when the remote control lever is moved to HIGH and then to LOW.

### 3JH5E / 3JH5AE / 4JH5E

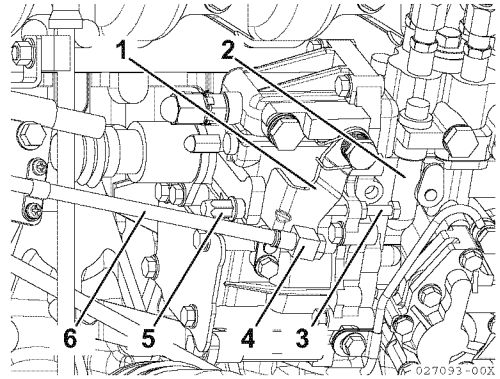


Figure 5

- 1 – Control Lever
- 2 – Fuel Injection Pump
- 3 – Low-Speed Stop
- 4 – Adjustment Screw
- 5 – High-Speed Stop
- 6 – Cable

### 4JH4-TE / 4JH4-HTE

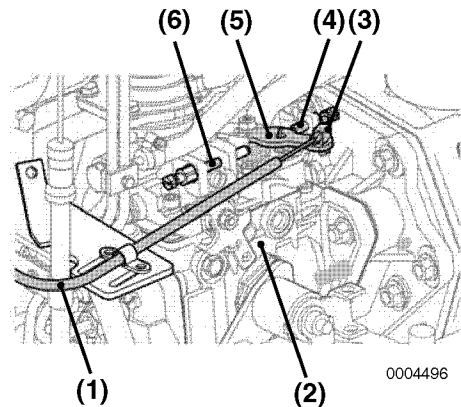


Figure 6

- 1 – Cable
- 2 – Fuel Injection Pump
- 3 – Cable Fitting
- 4 – Low-Speed Stop
- 5 – Control Lever
- 6 – High-Speed Stop



1. To adjust, loosen the adjustment screw (Figure 5, (4)) or cable fitting (Figure 6, (3)) for the remote control cable on the engine side and adjust.
2. Adjust the high-speed stop (Figure 5, (5)) or (Figure 6, (6)) position first and then adjust the low-speed stop (Figure 5, (3)) or (Figure 6, (4)), with the adjustment screw on the remote control lever (Figure 5, (1)) or (Figure 6, (5)).

## Adjusting Clutch Remote Control Cable 3JH5E / 3JH5AE / 4JH5E

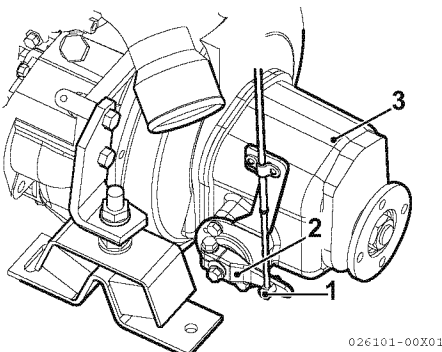


Figure 7

4JH4-TE / 4JH4-HTE

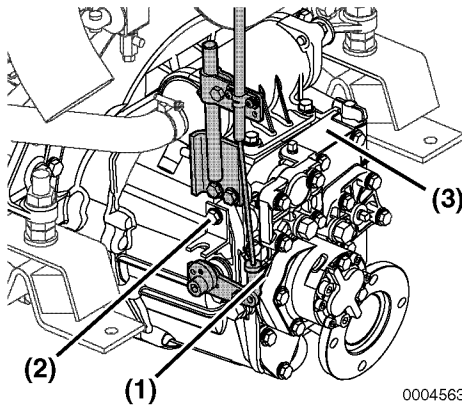


Figure 8

1. Ensure that the remote control lever (Figure 7, (2)) or (Figure 8, (1)) moves to the correct position when the remote control handle is in the NEUTRAL, FORWARD and REVERSE positions. Use the NEUTRAL position as the standard for adjustment.
2. To adjust, loosen and retighten the cable fitting (Figure 7, (1)) or (Figure 8, (2)).

## Adjusting Trolling Remote Control Handle - If Equipped

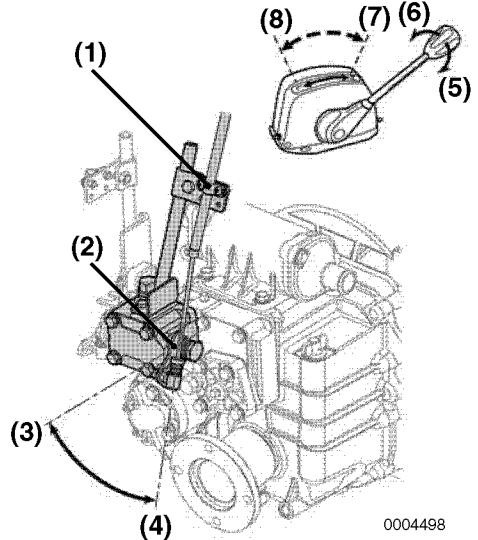


Figure 9

- 1 – Cable Fitting
- 2 – Trolling Lever
- 3 – Low Speed (trolling)
- 4 – High Speed
- 5 – Loosen
- 6 – Tighten
- 7 – Normal Operation (high speed)
- 8 – Trolling (low speed)

Note: KMH4A marine gear shown.

## PERIODIC MAINTENANCE

---

1. Ensure that the trolling lever (**Figure 9, (2)**) is in the high-speed (**Figure 9, (4)**) position when the trolling remote control handle is in high-speed position (**Figure 9, (7)**).
2. Ensure that the trolling lever is in the low-speed (**Figure 9, (3)**) position when the trolling remote control handle is in low-speed position (**Figure 9, (8)**).
3. To adjust, loosen the adjustment screw of the cable fitting (**Figure 9, (1)**) and adjust the position of the cable.

### Adjusting Propeller Shaft Alignment

The flexible engine mounts are compressed slightly during initial engine operation and may cause misalignment between the engine and the propeller shaft.

After the first 50 hours of operation, the alignment should be checked and readjusted if necessary. This is considered normal maintenance and the adjustment requires specialized knowledge and techniques. Consult your authorized Yanmar Marine dealer or distributor.

Check for any unusual noise and vibration in the engine / boat hull, while increasing and decreasing the engine speed gradually.

If there is unusual noise and / or vibration, this maintenance requires specialized knowledge and techniques. Consult authorized Yanmar Marine dealer or distributor to adjust the propeller shaft alignment.

### Every 50 Hours of Operation

Perform the following procedures every 50 hours thereafter or monthly, whichever comes first.

- **Draining Fuel Filter / Water Separator**
- **Checking Battery Electrolyte Level (Serviceable Batteries Only)**

#### Draining Fuel Filter / Water Separator

#### **WARNING**

**Fire and Explosion Hazard.**  
When removing any fuel system component to perform maintenance (such as changing the fuel filter), put an approved container under the opening to catch the fuel.

**Never use a shop rag to catch the fuel. Vapors from the rag are flammable and explosive. Wipe up any spills immediately.**

---

**Exposure Hazard.**  
Wear eye protection. The fuel system is under pressure and fuel could spray out when removing any fuel system component.

---

3JH5E, 3JH5AE and 4JH5E (Attach to Hull)

4JH4-TE and 4JH4-HTE

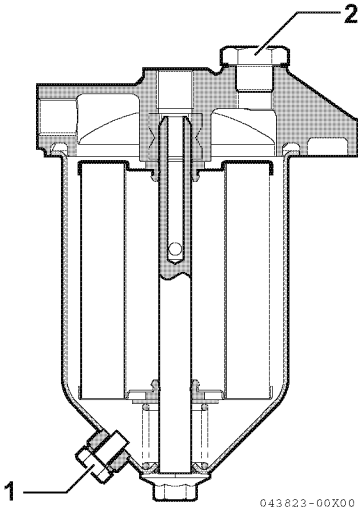


Figure 10

1. Close the fuel tank cock.
2. Loosen the drain plug (**Figure 10, (1)**) of the water separator and drain off any water or dirt collected inside. Dispose of the collected water and dirt properly.

**NOTICE**

Always be environmentally responsible.

3. After draining, tighten the air bleed screw (**Figure 10, (2)**).
4. Be sure to bleed air from the fuel system. See *Bleeding the Fuel System* on page 38.

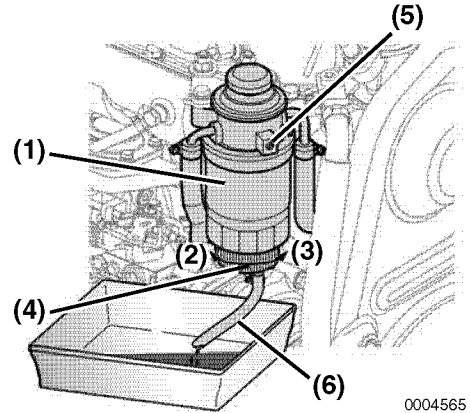


Figure 11

Note: 4JH4-TE shown.

**NOTICE**

If the fuel filter / water separator is positioned higher than the fuel level in the fuel tank, water may not drip out when the fuel filter / water separator drain cock is opened. If this happens, turn the air vent screw on the top of the fuel filter / water separator two to three turns counterclockwise. Be sure to tighten the air vent screw after the water has drained out.

1. Close the fuel tank cock.
2. Loosen the hose clamp and remove the fire-resistant cover, which is installed to the lower part of the fuel filter / water separator to protect the water alarm switch.
3. Attach a tube (**Figure 11, (6)**) to the drain plug (**Figure 11, (4)**).

## PERIODIC MAINTENANCE

---

- Loosen the drain plug (**Figure 11, (4)**) at the bottom of the fuel filter / water separator by turning counterclockwise and drain off any water or sediment.

**NOTE:** If there is a large quantity of water and sediment in the fuel filter / water separator, also drain the fuel tank. *See **Draining the Fuel Tank** on page 71.*

### NOTICE

Always be environmentally responsible. Dispose of the collected water and dirt properly.

---

- Tighten the drain plug.
- Remove the drain tube.
- Install the fire-resistant cover and tighten the hose clamp.
- Bleed air from the fuel system. *See **Bleeding the Fuel System** on page 38.*

### Checking the Battery Electrolyte Level (Serviceable Batteries Only)

#### WARNING

**Exposure Hazard. Batteries contain sulfuric acid. Never allow battery fluid to come in contact with clothing, skin or eyes. Severe burns could result. Always wear safety goggles and protective clothing when servicing the battery. If battery fluid contacts the eyes and / or skin, immediately flush the affected area with a large amount of clean water and obtain prompt medical treatment.**

---

### NOTICE

Never turn off the battery switch (if equipped) or short the battery cables during operation. Damage to the electric system will result.

---

Never operate with insufficient battery electrolyte. Operating with insufficient electrolyte will destroy the battery.

---

Battery fluid tends to evaporate in high temperatures, especially in summer. In such conditions, inspect the battery earlier than specified.

---

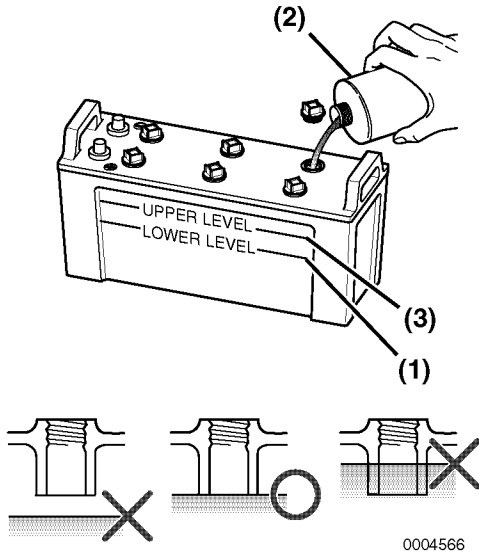
- Turn off the battery switch (if equipped) or disconnect the negative (-) battery cable.
- Do not operate with insufficient battery electrolyte, as the battery will be destroyed.
- Remove the plugs and check the electrolyte level in all cells.

### NOTICE

Never attempt to remove the covers or fill a maintenance-free battery.

---

- If the level is lower than the minimum fill level (**Figure 12, (1)**), fill with distilled water (**Figure 12, (2)**) (available in the grocery store) up to the upper limit (**Figure 12, (3)**) of the battery.



**Figure 12**

Note: The maximum fill level is approximately 10 to 15 mm (3/8 to 9/16 in.) above the plates.

### Every 250 Hours of Operation

Perform the following maintenance every 250 hours or 1 year of operation, whichever comes first.

- **Draining the Fuel Tank**
- **Replacing the Fuel Filter Element**
- **Changing the Engine Oil and Replacing the Engine Oil Filter Element**
- **Changing the Marine Gear Oil and Replacing Marine Gear Oil Filter Element (If Equipped)**
- **Checking or Replacing the Seawater Impeller**
- **Changing the Coolant**
- **Cleaning the Intake Silencer (Air Cleaner) Element**
- **Cleaning the Exhaust / Water Mixing Elbow**
- **Wash the Turbocharger blower (If Equipped)**
- **Adjusting the Alternator V-ribbed belt Tension**
- **Checking the Wiring Connectors**
- **Tightening All Major Nuts and Bolts**

### Draining the Fuel Tank

See *Draining the Fuel Tank* on page 71.

# PERIODIC MAINTENANCE

## Replacing the Fuel Filter Element

### **⚠ WARNING**

**Fire and Explosion Hazard.**  
When removing any fuel system component to perform maintenance (such as changing the fuel filter), put an approved container under the opening to catch the fuel.  
Never use a shop rag to catch the fuel. Vapors from the rag are flammable and explosive. Wipe up any spills immediately.

**Exposure Hazard.**  
*Wear eye protection. The fuel system is under pressure and fuel could spray out when removing any fuel system component.*

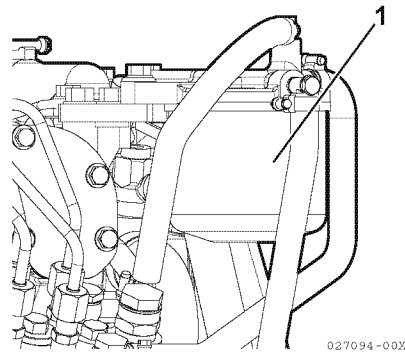
### **3JH5E / 3JH5AE / 4JH5E**

When there is not enough tension in the V-ribbed belt, it will slip and the coolant pump will fail to supply coolant. Engine overheating and seizure will result.

When there is too much tension in the V-ribbed belt, the belt will become damaged more quickly and the coolant pump bearing may be damaged.

### **⚠ WARNING**

**Sever Hazard.**  
Perform this check with the power switch off and the battery switch turned off to avoid contact with moving parts.



**Figure 13**

1. Close the fuel tank drain cock.
2. Remove the cartridge filter (**Figure 13, (1)**) with a filter wrench.

Note: When removing the fuel filter, hold the bottom of the fuel filter with a cloth to prevent the fuel from spilling. Wipe up any spilled fuel immediately.

3. Apply a thin film of clean diesel fuel to the sealing surface of the new filter gasket.

| Component                                  | Part No.     |
|--|--------------|
| Fuel Filter -<br>3JH5E / 3JH5AE /<br>4JH5E | 119802-55801 |

4. Install a new filter and hand-tighten. Use a filter wrench and tighten to 20 to 24 N·m (14.75 to 17.7 ft-lb).
5. Bleed the fuel system. See *Bleeding the Fuel System on page 38*. Dispose of waste properly.
6. Check for fuel leaks.

**WARNING**

**Piercing Hazard.**

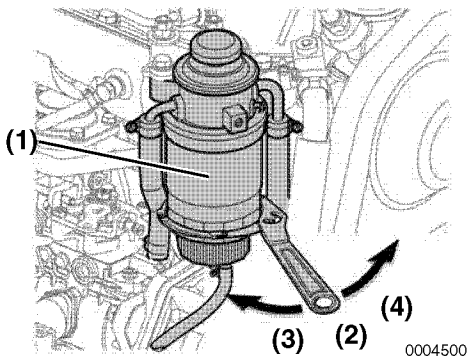
**Avoid skin contact with the high-pressure diesel fuel spray caused by a fuel system leak, such as a broken fuel injection line.**

**High-pressure fuel can penetrate your skin and result in serious injury. If you are exposed to high-pressure fuel spray, obtain prompt medical treatment.**

**Never check for a fuel leak with your hands.**

**Always use a piece of wood or cardboard. Have your authorized Yanmar Marine dealer or distributor repair any damage.**

**4JH4-TE / 4JH4-HTE**



**Figure 14**

1. Close the fuel tank drain cock.
2. Loosen the hose clamp and remove the fire-resistant cover, which is installed to the lower part of the fuel filter / water separator to protect the water alarm switch.
3. Attach a tube to the drain plug.
4. Loosen the drain plug and drain the fuel from the drain plug.

5. Disconnect the electrical connectors and remove the alarm switch with a spanner wrench.
6. Remove the filter housing (Figure 14, (1)) with a filter wrench (Figure 14, (2)).
7. Clean the filter housing mounting surface. Install new filter element in filter housing.

| Component                           | Part No.     |
|-------------------------------------|--------------|
| Fuel Filter -<br>4JH4-TE / 4JH4-HTE | 129574-55711 |

8. Install the alarm switch to the fuel filter. Apply clean fuel to the gasket of the new fuel filter.
9. Install filter housing into engine and hand-tighten until the gasket comes into contact with the seat. Use a filter wrench and tighten approximately 3/4 turn to 11.8 to 15.6 N·m (104.4 to 138.1 in.-lb).
10. Install the fire-resistant cover and tighten the hose clamp.
11. Bleed the fuel system. See *Bleeding the Fuel System* on page 38.
12. Dispose of waste properly.

## PERIODIC MAINTENANCE

### Changing the Engine Oil and Replacing the Engine Oil Filter Element

See *Changing the Engine Oil and Replacing the Engine Oil Filter Element* on page 72.

### Changing the Marine Gear Oil and Replacing the Marine Gear Oil Filter Element (if equipped)

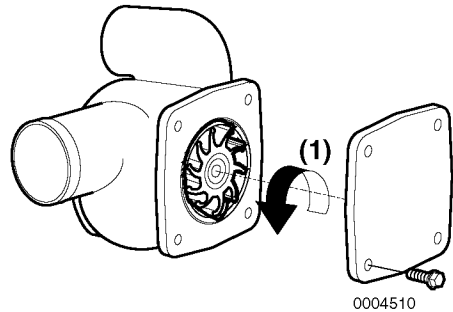
See *Changing the Marine Gear Oil and Replacing the Marine Gear Oil Filter (If Equipped)* on page 73.

### Checking or Replacing Seawater Pump Impeller

1. Loosen side cover bolts and remove the side cover.
2. Inspect the inside of the seawater pump with a flashlight. If any of the following are found, disassembly and maintenance are required:
  - Impeller blades are cracked or nicked. Edges or surfaces of the blades are marred or scratched.
  - Wear plate is damaged.
3. If no damage is found when inspecting the inside of the pump, install the O-ring and side cover.
4. If a large amount of water leaks continuously from the water drain line below the seawater pump during operation, replace the mechanical seal. Consult authorized Yanmar Marine dealer or distributor.

### Replacing the Seawater Pump Impeller

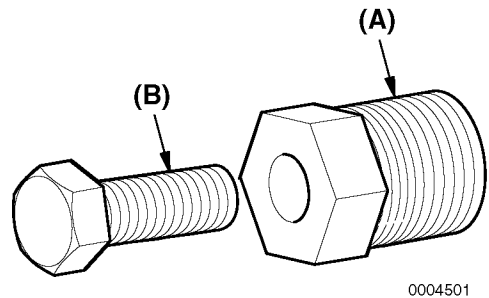
Note: The impeller must be replaced periodically (every 1000 hours) even if there is no damage.



**Figure 15**

There are two types of special service tools for removing the impeller:

**Puller A (standard)  
Part No. 129671-92110**



**Figure 16**

| Puller A | Jack Screw B     |
|----------|------------------|
| M18x1.5  | M10x40 mm length |

1. Remove the side cover of the seawater pump.
2. Install puller (**Figure 16, (A)**) in the impeller.
3. Turn the jack screw (**Figure 16, (B)**) clockwise to remove the impeller from the pump body.



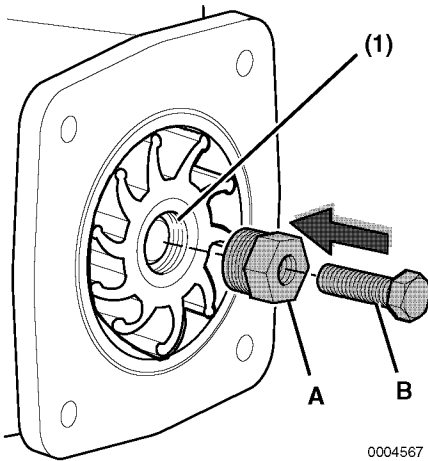


Figure 17

0004567

Puller B (option)  
Part No. 129671-92100

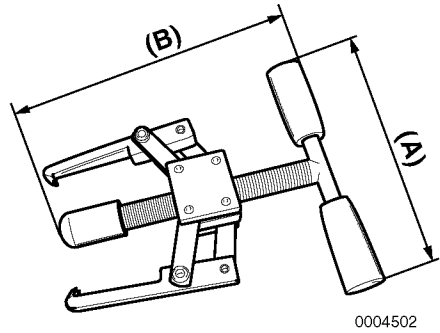


Figure 19

0004502

| A                 | B                 |
|-------------------|-------------------|
| 110 mm (4.33 in.) | 140 mm (5.51 in.) |

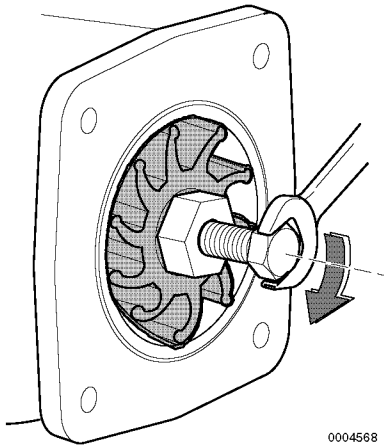


Figure 18

0004568

Note: When replacing a used impeller with a new one, the impeller must have an M18x1.5 thread (Figure 17, (1)). Turn the M18 screw side of the impeller to the cover side and install (Figure 18).

### Changing the Coolant

#### CAUTION

Coolant Hazard. Wear eye protection and rubber gloves when you handle engine coolant. If contact with the eyes or skin should occur, flush eyes and wash immediately with clean water.

Change the coolant every year.

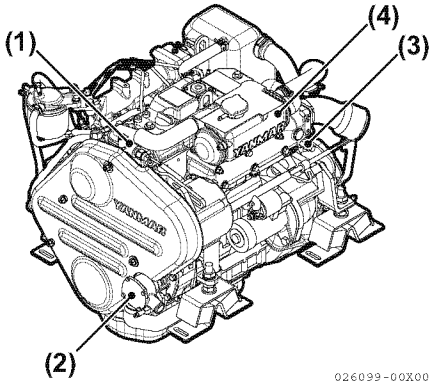
#### NOTICE

Never mix different types and / or colors of coolants.

Discard old coolant in an approved manner according to environmental laws.

Note: If Long Life coolant is used, replace coolant every 2 years.

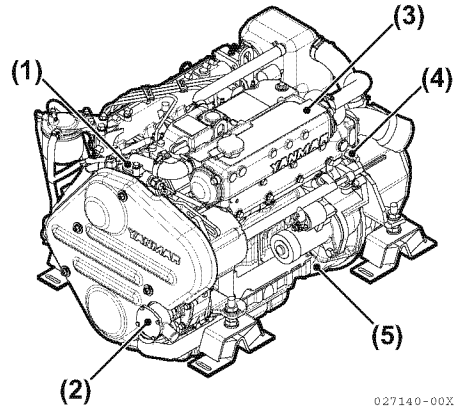
## 3JH5E / 3JH5AE



**Figure 20**

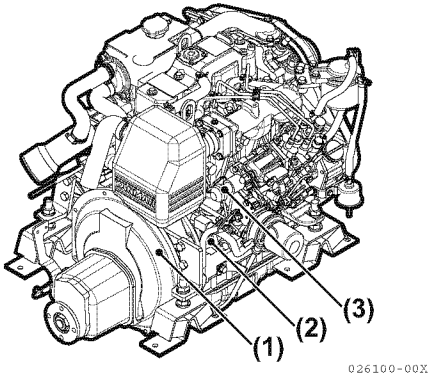
- 1 – Coolant Pump
- 2 – Seawater Drain from Seawater Pump Cover
- 3 – Coolant Drain Cock
- 4 – Coolant Tank (heat exchanger)

## 4JH5E



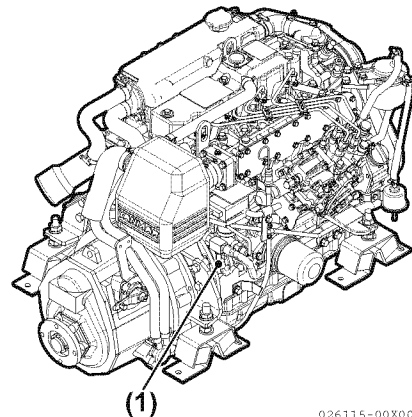
**Figure 22**

- 1 – Coolant Pump
- 2 – Seawater Drain from Seawater Pump Cover
- 3 – Coolant Tank (heat exchanger)
- 4 – Coolant Drain Cock
- 5 – Flywheel Housing



**Figure 21**

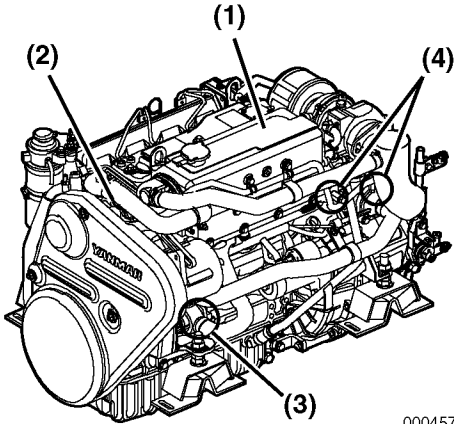
- 1 – Flywheel Housing
- 2 – Coolant Drain Cock
- 3 – Stop Solenoid



**Figure 23**

- 1 – Coolant Drain Cock

4JH4-TE

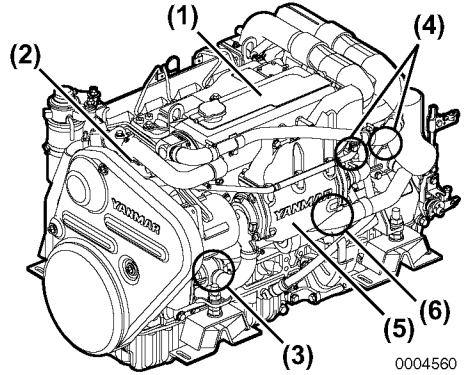


0004571

Figure 24

- 1 – Coolant Tank (heat exchanger)
- 2 – Coolant Pump
- 3 – Seawater Drain from Seawater Pump Cover
- 4 – Coolant Drain Cock (two used)

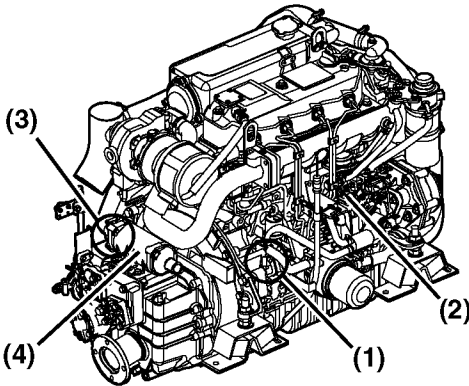
4JH4-HTE



0004560

Figure 26

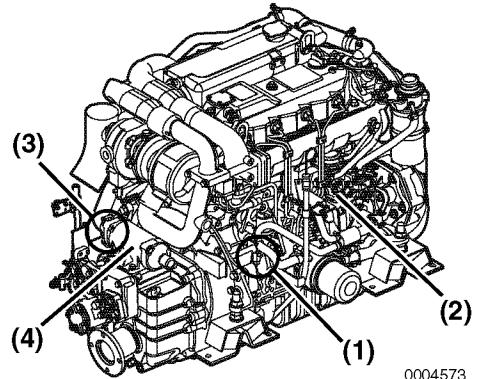
- 1 – Coolant Tank (heat exchanger)
- 2 – Coolant Pump
- 3 – Seawater Drain from Seawater Pump Cover
- 4 – Coolant Drain Cock
- 5 – Air cooler
- 6 – Seawater Drain from Seawater Pump Cover



0004572

Figure 25

- 1 – Coolant Drain Cock
- 2 – Fuel Pump
- 3 – Seawater Drain Cock
- 4 – Marine Gear Cooler



0004573

Figure 27

- 1 – Coolant Drain Cock
- 2 – Fuel Pump
- 3 – Seawater Drain Cock
- 4 – Marine Gear Cooler

## PERIODIC MAINTENANCE

---

Note: The drain cocks are opened before shipping from the factory. Marine gear ZF25A does not have a drain cock on the clutch cooler.

1. Open all coolant drain cocks.
2. Allow to drain completely. Dispose of waste properly.
3. Close all the drain cocks.
4. Fill coolant tank and reservoir with appropriate coolant.  
*See Engine Coolant Specifications on page 43 and Checking and Adding Coolant on page 44 .*

### **Cleaning the Intake Silencer (Air Cleaner) Element**

1. Disassemble the intake silencer (air cleaner).
2. Remove element. Clean element and housing with a neutral detergent.
3. Dry completely and reassemble.

### **Cleaning the Exhaust / Water Mixing Elbow**

The mixing elbow is attached to the turbocharger. The exhaust gas is mixed with seawater in the mixing elbow.

1. Remove the mixing elbow.
2. Clean dirt and scale out of the exhaust and seawater passages.
3. If the mixing elbow is damaged, repair or replace. Consult authorized Yanmar Marine dealer or distributor.
4. Inspect the gasket and replace if necessary.

### **Wash the Turbocharger blower (If Equipped)**

Contamination of the turbocharger causes revolutions to drop and engine output to fall.

If a significant drop in engine output is noted (10% or more), wash the turbocharger blower.

This should be done only by a trained and qualified technician. Consult authorized Yanmar Marine dealer or distributor.

### **Adjusting the Alternator V-ribbed belt Tension**

*See Checking and Adjusting the Alternator V-ribbed belt Tension on page 73.*

### **Checking the Wiring Connectors**

Consult authorized Yanmar Marine dealer or distributor.

### **Tightening All Major Nuts and Bolts**

*See Tightening Fasteners on page 62 or consult authorized Yanmar Marine dealer or distributor.*

**Every 500 Hours of Operation**

Perform the following maintenance every 500 hours or 2 years of operation, whichever comes first.

- **Replacing the Exhaust / Water Mixing Elbow**
- **Replacing Rubber Hoses**

**Replacing the Exhaust / Water Mixing Elbow**

Replace the mixing elbow with a new one every 500 hours or 2 years, whichever comes first, even if no damage is found.

Consult authorized Yanmar Marine dealer or distributor.

**Replacing Rubber Hoses**

Replace rubber hoses every 2000 hours or 2 years, whichever comes first.

Consult authorized Yanmar Marine dealer or distributor.

**Every 1000 Hours of Operation**

Perform the following maintenance every 1000 hours or 4 years of operation, whichever comes first.

- **Checking the Fuel Injection Timing**
- **Checking the Fuel Injector Spray Pattern**
- **Replacing the Seawater Pump Impeller**
- **Cleaning and Checking the Seawater Passages**
- **Checking Diaphragm Assembly (3JH5E / 3JH5AE / 4JH5E)**
- **Replacing the Alternator V-ribbed belt**
- **Adjusting Intake / Exhaust Valve Clearance**
- **Checking the Remote Control Cable Operation**
- **Adjusting the Propeller Shaft Alignment**

**Checking the Fuel Injection Timing**

Consult authorized Yanmar Marine dealer or distributor.

**Checking the Fuel Injector Spray Pattern**

Consult authorized Yanmar Marine dealer or distributor.

**Replacing the Seawater Pump Impeller**

The seawater impeller must be replaced every 1000 hours even if it is not damaged.

*See Checking or Replacing Seawater Pump Impeller on page 82.*

## PERIODIC MAINTENANCE

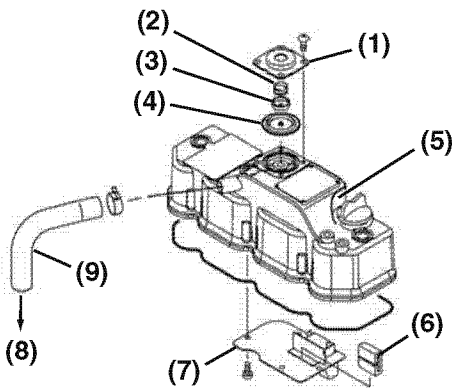
### Cleaning and Checking the Seawater Passages

After prolonged use, clean the seawater passages to remove trash, scale, rust and other contaminants that collect in the cooling water passages. This can cause declining cooling performance. The following items need to be inspected:

- Heat Exchanger
- Pressure Cap

Consult authorized Yanmar Marine dealer or distributor.

### Checking Diaphragm Assembly (3JH5E / 3JH5AE / 4JH5E)



0003628

**Figure 28**

- 1 – Diaphragm Cover
- 2 – Spring
- 3 – Center Plate
- 4 – Diaphragm
- 5 – Rocker Arm Cover
- 6 – Breather Baffle
- 7 – Baffle Plate
- 8 – Intake Silencer
- 9 – Breather Pipe

Consult authorized Yanmar Marine dealer or distributor.

### Replacing the Alternator V-ribbed belt

See *Checking and Adjusting the Alternator V-ribbed belt Tension* on page 73.

### Adjusting Intake / Exhaust Valve Clearance

Consult authorized Yanmar Marine dealer or distributor.

### Checking the Remote Control Cable Operation

Consult authorized Yanmar Marine dealer or distributor.

### Adjusting the Propeller Shaft Alignment

Consult authorized Yanmar Marine dealer or distributor.

# TROUBLESHOOTING

---

## SAFETY PRECAUTIONS

Before performing any troubleshooting procedures within this section, review the *Safety* section on page 5.

If a problem occurs, stop the engine immediately. Refer to the Symptom column in the Troubleshooting Chart to identify the problem.

## TROUBLESHOOTING AFTER STARTING

Just after the engine has started, check the following items at a low engine speed:

### **Is sufficient water being discharged from the seawater outlet pipe?**

If the discharge is low, stop the engine immediately. Identify the cause and repair.

### **Is the smoke color normal?**

The continuous emission of black exhaust smoke indicates engine overloading. This shortens the engines life and should be avoided.

### **Are there abnormal vibrations or noise?**

Depending on the hull structure, engine and hull resonance may suddenly increase at certain engine speed ranges, causing heavy vibrations. Avoid operation in this speed range. If any abnormal sounds are heard, stop the engine and inspect for cause.

### **Alarm sounds during operation.**

If the alarm sounds during operation, lower the engine speed immediately, check the alarm lamps and stop the engine for repairs.

### Is there water, oil or fuel leakage? Are there any loose bolts or connections?

Check the engine room daily for any leaks or loose connections.

### Is there sufficient fuel in the fuel tank?

Refill fuel in advance to avoid running out of fuel. If the tank runs out of fuel, bleed the fuel system. See *Bleeding the Fuel System on page 38*.

When operating the engine at low speed for long periods of time, race the engine once every 2 hours. Racing the engine with the clutch in NEUTRAL, accelerate from the low-speed position to the high-speed position and repeat this process about five times. This is done to clean out carbon from the cylinders and the fuel injection valves.

### NOTICE

Neglecting to race the engine will result in poor smoke color and reduce engine performance.

---

Periodically operate the engine near maximum speed while underway. This will generate higher exhaust temperatures, which will help clean out hard carbon deposits, maintain engine performance and prolong the life of the engine.

## TROUBLESHOOTING INFORMATION

If the engine does not operate properly, refer to the *Troubleshooting Chart on page 91* or consult authorized Yanmar Marine dealer or distributor.

Supply the authorized Yanmar Marine dealer or distributor with the following information:

- Model name and serial number of your engine
- Boat model, hull material, size (tons)
- Use, type of boating, number of hours run
- Total number of operation hours (refer to hourmeter), age of boat
- The operating conditions when the problem occurs:
  - Engine speed (min<sup>-1</sup>)
  - Color of exhaust smoke
  - Type of diesel fuel
  - Type of engine oil
  - Any abnormal noises or vibration
  - Operating environment such as high altitude or extreme ambient temperatures, etc.
  - Engine maintenance history and previous problems
  - Other factors that contribute to the problem



TROUBLESHOOTING CHART

| Symptom  | Probable Cause  | Measure   | Reference   |
|--|---|---|---|
| Indicators light on the instrument panel and alarm sounds during operation   | Shift to low-speed operation immediately, and check which indicator has come on. Stop the engine and inspect. If no abnormality is identified and there is no problem with operation, return to port at lowest speed and request repairs. |   |   |
| • Engine oil low pressure alarm indicator comes on                           | Engine oil level is low.  | Check engine oil level. Add or replace.                         | See <i>Checking the Engine Oil on page 40</i>   |
|  | Engine oil filter clogged.  | Replace engine oil filter.<br>Replace engine oil.               | See <i>Changing the Engine Oil and Replacing the Engine Oil Filter Element on page 72</i> |
| • Water in sail drive seal indicator comes on                                | Rubber sail drive seal broken.  | Consult authorized Yanmar Marine dealer or distributor.         | -   |
| • Coolant high temperature alarm comes on                                    | Coolant level is low.   | Check coolant level and refill.                                 | See <i>Checking and Adding Coolant on page 44</i>   |
|  | Insufficient seawater causing temperature to rise.  | Check seawater system.  | -   |
|  | Contamination inside cooling system.  | Consult authorized Yanmar Marine dealer or distributor.         | -   |
| • Faulty Warning Devices   | Do not operate the engine if alarm devices are not repaired. Serious accidents may result if abnormalities are not identified due to faulty indicators or alarm.  |   |   |
| Indicators Do Not Go On:   |   |   |   |
| • The tachometer does not turn on, even though the power switch is turned on | No electrical current available. The battery switch is turned off, the fuse (3 A) on the instrument panel is burned out or the circuit is broken.   | Consult authorized Yanmar Marine dealer or distributor.         | -   |
| • One of the indicators does not go out                                      | Sensor switch is faulty.  | Consult authorized Yanmar Marine dealer or distributor.         | -   |
| • Battery low charge indicator does not go out during operation              | V-ribbed belt is loose or broken.   | Replace V-ribbed belt or adjust tension.                        | See <i>Checking and Adjusting the Alternator V-ribbed belt Tension on page 73</i>         |
|  | Battery is defective.   | Check battery fluid level, specific gravity or replace battery. | See <i>Checking the Battery Electrolyte Level (Serviceable Batteries Only) on page 78</i> |
|  | Alternator power generation failure.  | Consult authorized Yanmar Marine dealer or distributor.         | -   |
| Starting Failures:   |   |   |   |
| • Starter turns but engine does not start                                    | No fuel.  | Add fuel. Bleed fuel system.                                    | See <i>Filling the Fuel Tank on page 37 and Bleeding the Fuel System on page 38</i>       |
|  | Fuel filter is clogged.   | Replace filter element.   | See <i>Replacing the Fuel Filter Element on page 80</i>                                   |
|  | Improper fuel.  | Replace with recommended fuel.                                  | See <i>Diesel Fuel Specifications on page 34</i>  |
|  | Problem with fuel injection.  | Consult authorized Yanmar Marine dealer or distributor.         | -   |

# TROUBLESHOOTING

| Symptom   | Probable Cause  | Measure  | Reference   |
|---|---|--|---|
| Compression leakage from intake / exhaust valve.                        | Consult authorized Yanmar Marine dealer or distributor. | -  | -   |
| • Starter does not turn or turns slowly (engine can be turned manually) | Faulty clutch position.                                 | Shift to NEUTRAL and start.                              | -   |
|   | Insufficient battery charge.                            | Check fluid level. Recharge. Replace.                    | See <i>Checking the Battery Electrolyte Level (Serviceable Batteries Only)</i> on page 78 |
|   | Cable terminal contact failure.                         | Remove corrosion from terminals. Tighten battery cables. | -   |
|   | Faulty safety switch device.                            | Consult authorized Yanmar Marine dealer or distributor.  | -   |
|   | Faulty instrument panel.                                | Consult authorized Yanmar Marine dealer or distributor.  | -   |
| Power lacking due to accessory drive being engaged.                     | Consult authorized Yanmar Marine dealer or distributor. | -  | -   |
| • Engine cannot be turned manually                                      | Internal parts seized.                                  | Consult authorized Yanmar Marine dealer or distributor.  | -   |
| <b>Abnormal Smoke Color:</b>  |   |  |   |
| • Black smoke   | Load increased.   | Consult authorized Yanmar Marine dealer or distributor.  | -   |
|   | Improper propeller matching.                            | Consult authorized Yanmar Marine dealer or distributor.  | -   |
|   | Dirty intake silencer (air cleaner).                    | Clean element.   | See <i>Cleaning the Intake Silencer (Air Cleaner) Element</i> on page 86                  |
|   | Improper fuel.  | Replace with recommended fuel.                           | See <i>Diesel Fuel Specifications</i> on page 34  |
|   | Faulty spraying of fuel injector.                       | Consult authorized Yanmar Marine dealer or distributor.  | -   |
| • Incorrect intake / exhaust valve clearance.                           | Consult authorized Yanmar Marine dealer or distributor. | -  | -   |
| • White smoke   | Improper fuel.  | Replace with recommended fuel.                           | See <i>Diesel Fuel Specifications</i> on page 34  |
|   | Faulty spraying of fuel injector.                       | Consult authorized Yanmar Marine dealer or distributor.  | -   |
|   | Fuel injection timing off.                              | Consult authorized Yanmar Marine dealer or distributor.  | -   |
|   | Engine burning oil (excessive consumption).             | Consult authorized Yanmar Marine dealer or distributor.  | -   |

# LONG-TERM STORAGE

---

If the engine will not be used for an extended period of time, special measures should be taken to protect the cooling system, fuel system and combustion chamber from corrosion and the exterior from rusting.

The engine can normally stand idle for up to 6 months. If it remains unused for longer than this, please consult your authorized Yanmar Marine dealer or distributor.

Before performing any storage procedures within this section, review the *Safety* section on page 5.

In cold temperatures or before long-term storage, be sure to drain the seawater from the cooling system.

## NOTICE

Do not drain the coolant system. A full coolant system will prevent corrosion and frost damage.

---

If seawater is left inside of the engine, it may freeze and damage parts of the cooling system when the ambient temperature is below 0°C (32°F).

---

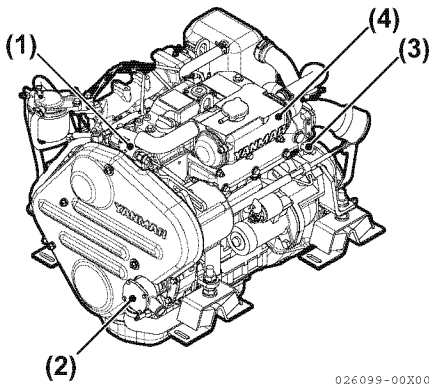
## PREPARE ENGINE FOR LONG-TERM STORAGE

Note: If the engine is close to a periodic maintenance interval, perform those maintenance procedures before putting the engine into long-term storage.

1. Wipe off any dust or oil from the outside of engine.
2. Drain water from fuel filters.
3. Drain fuel tank completely or fill the tank to prevent condensation.
4. Grease the exposed areas and joints of the remote control cables and the bearings of the remote control handle.
5. Seal the intake silencer, exhaust pipe, etc. to prevent moisture or contamination from entering engine.
6. Completely drain bilge in hull bottom.
7. Waterproof the engine room to prevent rain or seawater from entering.
8. Charge the battery once a month to compensate for battery's self-discharge.
9. Make sure the power switch is off.

**DRAIN SEAWATER  
COOLING SYSTEM**

3JH5E / 3JH5AE

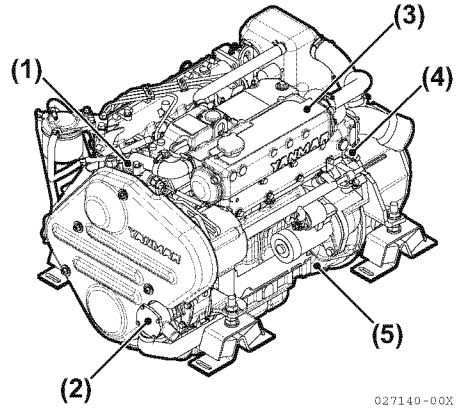


026099-00X00

**Figure 1**

- 1 – Coolant Pump
- 2 – Seawater Drain from Seawater Pump Cover
- 3 – Coolant Drain Cock
- 4 – Coolant Tank (heat exchanger)

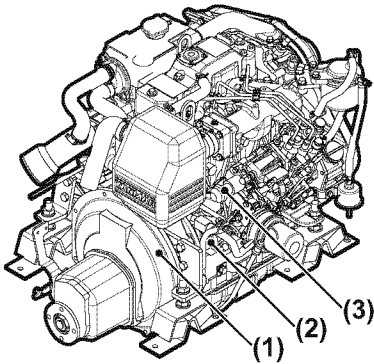
4JH5E



027140-00X

**Figure 3**

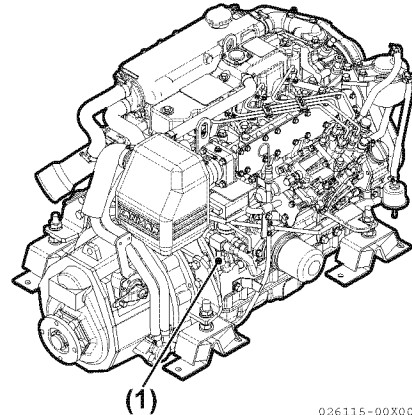
- 1 – Coolant Pump
- 2 – Seawater Drain from Seawater Pump Cover
- 3 – Coolant Tank (heat exchanger)
- 4 – Coolant Drain Cock
- 5 – Flywheel Housing



026100-00X

**Figure 2**

- 1 – Flywheel Housing
- 2 – Coolant Drain Cock
- 3 – Stop Solenoid

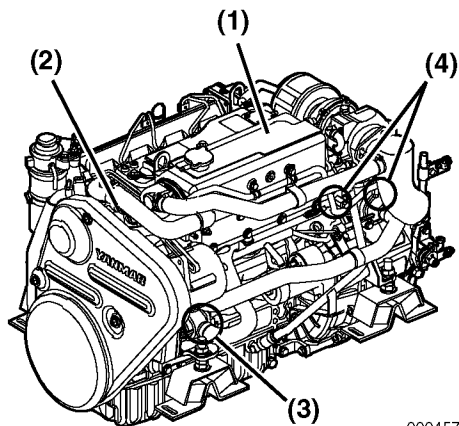


026115-00X00

**Figure 4**

- 1 – Coolant Drain Cock

4JH4-TE

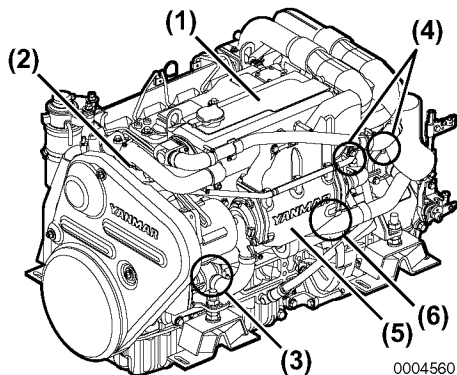


0004571

Figure 5

- 1 – Coolant Tank (heat exchanger)
- 2 – Coolant Pump
- 3 – Seawater Drain from Seawater Pump Cover
- 4 – Coolant Drain Cock (two used)

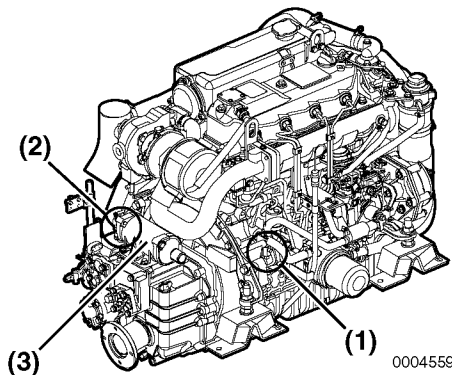
4JH4-HTE



0004560

Figure 7

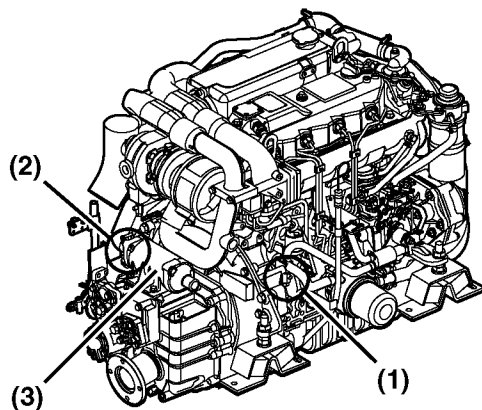
- 1 – Coolant Tank (heat exchanger)
- 2 – Coolant Pump
- 3 – Seawater Drain from Seawater Pump Cover
- 4 – Coolant Drain Cock
- 5 – Air cooler
- 6 – Seawater Drain from Heat Exchanger



0004559

Figure 6

- 1 – Coolant Drain Cock
- 2 – Seawater Drain Cock
- 3 – Marine Gear Cooler



0004561

Figure 8

- 1 – Coolant Drain Cock
- 2 – Seawater Drain Cock
- 3 – Marine Gear Cooler

Note: The drain cocks are opened before shipping from the factory. Marine gear ZF25A does not have a drain cock on the clutch cooler.

### **NOTICE**

If seawater is left inside, it may freeze and damage parts of the cooling system (heat exchanger, seawater pump, etc.) when ambient temperature is below 32°F (0°C).

---

1. Open the seawater drain cock on the clutch cooler (if equipped). Allow to drain. Open the seawater drain cock on the air cooler (4JH4-HTE only) and drain. If no water drains, use a stiff brush to remove any debris.
2. Remove four bolts attaching the side cover of the seawater pump. Remove the cover and drain the seawater.
3. Install cover and tighten bolts.
4. Close all the drain cocks.

## RETURNING THE ENGINE TO SERVICE

1. Replace the oil and the oil filter before running the engine.
2. Supply fuel if the fuel in the fuel tank was removed, and prime the fuel system.
3. Confirm that there is engine coolant in the engine.
4. Operate the engine at idle speed for 1 minute.
5. Check fluid levels and check engine for leaks.

# **SPECIFICATIONS**

---

## **PRINCIPAL ENGINE SPECIFICATIONS**

# SPECIFICATIONS

## 3JH5E / 3JH5AE Engines

| Specification                           |                                     | 3JH5E / 3JH5AE  |                            |                   |                 |
|---|-------------------------------------|---|----------------------------|-------------------|-----------------|
| Marine Gear Model                       |                                     | KM35P   | KM35A                      | SD60-5            | Bobtail         |
| Use                                     |                                     | For recreational use  |                            |                   |                 |
| Type                                    |                                     | Vertical water cooled 4-cycle diesel engine   |                            |                   |                 |
| Combustion System                       |                                     | Direct injection  |                            |                   |                 |
| Air Charging                            |                                     | Natural aspiration  |                            |                   |                 |
| Number of Cylinders                     |                                     | 3   |                            |                   |                 |
| Bore x Stroke                           |                                     | 88 mm x 90 mm (3.46 in. x 3.54 in.)   |                            |                   |                 |
| Displacement                            |                                     | 1.642 L (100.20 cu in.)   |                            |                   |                 |
| Continuous power                        |                                     | 26.1 kW (35.5 hp metric) / 2907 min <sup>-1</sup>   |                            |                   |                 |
| Fuel stop power                         | Output at crankshaft / engine speed | 28.7 kW (39.0 hp metric) / 3000 min <sup>-1*</sup>  |                            |                   |                 |
|   | Output at propeller / engine speed  | 27.4 kW (37.3 hp metric) / 3000 min <sup>-1**</sup>   | -                          | -                 | -               |
| Installation                            |                                     | Flexible mounting   |                            |                   |                 |
| Fuel Injection Timing                   |                                     | FIR 5 ± 1° BTDC (at Maximum Rated Output Power)<br>FIT 18 ± 1° BTDC (at Plunger Lift 2.5 mm [0.098 in.] |                            |                   |                 |
| Fuel Injection Opening Pressure         |                                     | 21.6 to 22.6 MPa  |                            |                   |                 |
| Main Power Take Off                     |                                     | At flywheel end   |                            |                   |                 |
| Direction of Rotation                   | Crankshaft                          | Counterclockwise viewed from stern  |                            |                   |                 |
|   | Propeller shaft (ahead)             | Clockwise viewed from stern   | -                          | -                 | -               |
| Cooling System                          |                                     | Coolant cooling with heat exchanger   |                            |                   |                 |
| Lubrication System                      |                                     | Forced lubrication system   |                            |                   |                 |
| Cooling Water Capacity (fresh)          |                                     | Engine 4.5 L (4.8 qt), Reservoir: 0.8 L (0.8 qt)  |                            |                   |                 |
| Lubricating Oil Capacity (engine)       | Rake angle                          | at rake angle 8°  | at rake angle 0°           | 8° or 0°          |                 |
|   | Total**                             | 5.0 ± 0.3 L (5.3 ± 0.3 qt)  | 5.5 ± 0.3 L (5.8 ± 0.3 qt) | Refer to left     |                 |
|   | Oil pan only                        | 4.5 ± 0.3 L (4.8 ± 0.3 qt)  | 5.0 ± 0.3 L (5.3 ± 0.3 qt) | Refer to left     |                 |
|   | Effective***                        | 1.1 L (1.2 qt)  | 1.2 L (1.3 qt)             | Refer to left     |                 |
| Starting System                         | Type                                | Electric  |                            |                   |                 |
|   | Starting motor                      | DC 12 V - 1.4 kW  |                            |                   |                 |
|   | AC generator                        | 12 V - 125 A  |                            |                   |                 |
| Engine Dimension                        | Overall length                      | 777 mm (30.6 in.)   | 776 mm (30.6 in.)          | 700 mm (27.6 in.) |                 |
|   | Overall width                       | 560 mm (22.0 in.)   |                            |                   |                 |
|   | Overall height                      | 623 mm (24.5 in.)   |                            |                   |                 |
| Flywheel Major Dimension                |                                     | D300 x 66 mm (11.8 x 2.6 in.)   |                            |                   |                 |
| Engine Dry Mass (including marine gear) |                                     | 185 kg (408 lb)   | 186 kg (410 lb)            | 217 kg (478 lb)   | 173 kg (381 lb) |

\* Rating Condition: Temperature of fuel; 40°C at fuel pump inlet; ISO 8665

\*\* The "total" oil quantity includes oil in oil pan, channels, coolers and filter.

\*\*\* The effective amount of oil shows the difference in maximum scale of the dipstick and minimum scale.

Note: Density of fuel: 0.842g/cm<sup>3</sup> at 15°C. Fuel temperature at the inlet of the fuel injection pump.

Note: 1 hp metric = 0.7355 kW



**3JH5E / 3JH5AE Marine Gears**

| Model  | KM35P                          | KM35A                      | SD60-5 (coupled at boat builder)                       |
|--|--------------------------------|----------------------------|--|
| Type   | Mechanical cone clutch         |                            | Mechanical multiple friction disc clutch               |
| Reduction Ratio (forward / reverse)                          | 2.36 / 3.16<br>2.61 / 3.16     | 2.33 / 3.04<br>2.64 / 3.04 | 2.23 / 2.23<br>2.49 / 2.49                             |
| Propeller Speed (forward / reverse)<br>(min <sup>-1</sup> )* | 1232 / 921<br>1114 / 921       | 1246 / 955<br>1103 / 955   | 1304 / 1304<br>1167 / 1167                             |
| Lubrication System   | Splash                         | Splash                     | Oil bath   |
| Lubricating Oil Capacity (total)                             | 0.5 L (0.5 qt)                 | 0.65 L (0.69 qt)           | 3.1 L (3.3 qt)<br>Long Reach (75mm): 3.3 L (3.4 qt)    |
| Lubricating Oil Capacity (effective)                         | 0.05 L (0.05 qt)               | 0.15 L (0.16 qt)           | -  |
| Cooling System   | Air cooling by fan on flywheel |                            | -  |
| Weight   | 12 kg (26.5 lb)                | 13 kg (28.7 lb)            | 44 kg (97.0 lb)<br>Long Reach (75mm): 48 kg (105.8 lb) |

\* At continuous power engine speed 2907 min<sup>-1</sup>

# SPECIFICATIONS

## 4JH5E Engine

| Engine Model                          |                                     | 4JH5E  |                   |                            |                   |
|---------------------------------------|-------------------------------------|--|-------------------|----------------------------|-------------------|
| Marine Gear Model                     |                                     | KM35P  | ZF30M             | KM35A2                     | KM4A1             |
| Use                                   |                                     | For recreational use   |                   |                            |                   |
| Type                                  |                                     | Vertical water cooled 4-cycle diesel engine  |                   |                            |                   |
| Combustion System                     |                                     | Direct injection   |                   |                            |                   |
| Air Charging                          |                                     | Natural aspiration   |                   |                            |                   |
| Number of Cylinders                   |                                     | 4  |                   |                            |                   |
| Bore x Stroke                         |                                     | 88 mm x 90 mm (3.46 in. x 3.54 in.)  |                   |                            |                   |
| Displacement                          |                                     | 2.190 L (133.64 cu in.)  |                   |                            |                   |
| Continuous power                      |                                     | 36.0 kW (48.9 hp metric) / 2907 min <sup>-1</sup>  |                   |                            |                   |
| Fuel stop power                       | Output at crankshaft / engine speed | 39.6 kW (53.8 hp metric) / 3000 min <sup>-1</sup> *  |                   |                            |                   |
|                                       | Output at propeller / engine speed  | 38.0 kW (51.7 hp metric) / 3000 min <sup>-1</sup>  | -                 | -                          | -                 |
| Installation                          |                                     | Flexible mounting  |                   |                            |                   |
| Fuel Injection Timing at Max Power    |                                     | FIR 6.0 ± 1° BTDC (at Fuel Stop Power)<br>FIT 20.0 ± 1° BTDC (at Plunger Lift 2.5 mm [0.098 in.] |                   |                            |                   |
| Fuel Injection Opening Pressure       |                                     | 21.6 to 22.6 MPa   |                   |                            |                   |
| Main Power Take Off                   |                                     | At flywheel end  |                   |                            |                   |
| Direction of Rotation                 | Crankshaft                          | Counterclockwise viewed from stern   |                   |                            |                   |
|                                       | Propeller shaft (ahead)             | Clockwise viewed from stern  |                   |                            |                   |
| Cooling System                        |                                     | Coolant cooling with heat exchanger  |                   |                            |                   |
| Lubrication System                    |                                     | Forced lubrication system  |                   |                            |                   |
| Cooling Water Capacity (fresh)        |                                     | Engine 6.0 L (6.3 qt)<br>Reservoir: 0.8 L (0.8 qt)   |                   |                            |                   |
| Lubricating Oil Capacity (engine)     | Rake angle                          | at rake angle 8°   |                   | at rake angle 0°           |                   |
|                                       | Total**                             | 5.0 ± 0.3 L (5.3 ± 0.3 qt)   |                   | 5.5 ± 0.3 L (5.8 ± 0.3 qt) |                   |
|                                       | Oil pan only                        | 4.5 ± 0.3 L (4.8 ± 0.3 qt)   |                   | 5.0 ± 0.3 L (5.3 ± 0.3 qt) |                   |
|                                       | Effective***                        | 1.2 L (1.3 qt)   |                   | 1.4 L (1.5 qt)             |                   |
| Starting System                       | Type                                | Electric   |                   |                            |                   |
|                                       | Starting motor                      | DC 12 V - 1.4 kW   |                   |                            |                   |
|                                       | AC generator                        | 12 V - 125 A   |                   |                            |                   |
| Engine Dimension                      | Overall length                      | 871 mm (34.3 in.)  | 950 mm (37.4 in.) | 864 mm (34.0 in.)          | 922 mm (36.3 in.) |
|                                       | Overall width                       | 560 mm (22.0 in.)  |                   |                            |                   |
|                                       | Overall height                      | 625 mm (24.6 in.)  |                   |                            |                   |
| Flywheel Major Dimension              |                                     | D300 x 66 mm (11.8 x 2.6 in.)  |                   |                            |                   |
| Engine Dry Mass (include marine gear) |                                     | 213 kg (470 lb)  | 229 kg (505 lb)   | 214 kg (472 lb)            | 230 kg (507 lb)   |

\* Rating Condition: Temperature of fuel; 40°C at fuel pump inlet; ISO 8665

\*\* The "total" oil quantity includes oil in oil pan, channels, coolers and filter.

\*\*\* The effective amount of oil shows the difference in maximum scale of the dipstick and minimum scale.

Note: Density of fuel: 0.842g/cm<sup>3</sup> at 15°C. Fuel temperature at the inlet of the fuel injection pump.

Note: 1 hp metric = 0.7355 kW

**4JH5E (Continued)**

| Engine Model                          |                                     | 4JH5E   |                            |
|---------------------------------------|-------------------------------------|---|----------------------------|
| Marine Gear Model                     |                                     | SD60-5  | Bobtail                    |
| Use                                   |                                     | For recreational use  |                            |
| Type                                  |                                     | Vertical water cooled 4-cycle diesel engine   |                            |
| Combustion System                     |                                     | Direct injection  |                            |
| Air Charging                          |                                     | Natural aspiration  |                            |
| Number of Cylinders                   |                                     | 4   |                            |
| Bore x Stroke                         |                                     | 88 x 90 mm (3.46 x 3.54 in.)  |                            |
| Displacement                          |                                     | 2.190 L 133.6 cu in.  |                            |
| Continuous power                      |                                     | 36.0 kW (48.9 hp)/2907 min <sup>-1</sup>  |                            |
| Fuel stop power                       | Output at crankshaft / engine speed | 39.6 kW (53.8hp)/3000 min <sup>-1</sup>   |                            |
|                                       | Output at propeller / engine speed  | -   |                            |
| Installation                          |                                     | Flexible mounting   |                            |
| Fuel Injection Timing                 |                                     | FIR 6 ± 1° BTDC (at Fuel Stop Power)<br>FIT 20.0 ± 1° BTDC (at Plunger Lift 2.5 mm [0.098 in.]) |                            |
| Fuel Injection Pressure               |                                     | 21.6 to 22.6 MPa  |                            |
| Main Power Take Off                   |                                     | At flywheel end   |                            |
| Direction of Rotation                 | Crankshaft                          | Counterclockwise viewed from stern  |                            |
|                                       | Propeller shaft (Ahead)             | Clockwise viewed from stern   |                            |
| Cooling System                        |                                     | Coolant cooling with heat exchanger   |                            |
| Lubrication System                    |                                     | Forced lubrication system   |                            |
| Cooling Water Capacity (fresh)        |                                     | Engine 6.0 L (6.3 qt)<br>Reservoir: 0.8 L (0.8 qt)  |                            |
| Lubricating Oil Capacity (engine)     | Rake angle                          | at rake angle 0°  | 8° or 0°                   |
|                                       | Total **                            | 5.5 ± 0.3 L (5.8 ± 0.3 qt)  | Refer to left and page 100 |
|                                       | Oil pan only                        | 5.0 ± 0.3 L (5.3 ± 0.3 qt)  | Refer to left and page 100 |
|                                       | Effective ***                       | 1.4 L (1.5 qt)  | Refer to left and page 100 |
| Starting System                       | Type                                | Electric  |                            |
|                                       | Starting motor                      | DC 12 V - 1.4 kW  |                            |
|                                       | AC generator                        | 12 V - 125A   |                            |
| Engine Dimension                      | Overall length                      | 795 mm (31.3 in.)   |                            |
|                                       | Overall width                       | 560 mm (22.0 in.)   |                            |
|                                       | Overall height                      | 625 mm (24.6 in.)   |                            |
| Flywheel Major Dimension              |                                     | D300 x 66 mm (11.8 x 2.6 in.)   |                            |
| Engine Dry Mass (include marine gear) |                                     | 245 kg (540 lb)   | 201 kg (443 lb)            |

\* Rating Condition: Temperature of fuel; 40°C at fuel pump inlet; ISO 8665

\*\* The "total" oil quantity includes oil in oil pan, channels, coolers and filter.

\*\*\* The effective amount of oil shows the difference in maximum scale of the dipstick and minimum scale.

Note: Density of fuel: 0.842g/cm<sup>3</sup> at 15°C. Fuel temperature at the inlet of the fuel injection pump.

Note: 1 hp metric = 0.7355 kW

# SPECIFICATIONS

## 4JH5E Marine Gear or Sail Drive

| Model  | KM35P                      | ZF30M                               |
|--|----------------------------|-------------------------------------|
| Type   | Mechanical cone clutch     | Mechanical wet multiple disk clutch |
| Reduction Ratio (forward / reverse)                        | 2.36 / 3.16<br>2.61 / 3.16 | 2.15 / 2.64<br>2.70 / 2.64          |
| Propeller Speed (forward / reverse) (min <sup>-1</sup> ) * | 1232 / 921<br>1114 / 921   | 1353 / 1103<br>1078 / 1103          |
| Lubrication System   | Splash                     |                                     |
| Lubricating Oil Capacity (total)                           | 0.5 L (0.5 qt)             | 1.1 L (1.2 qt) **                   |
| Lubricating Oil Capacity (effective)                       | 0.05 L (0.05 qt)           | 0.2 L (0.2 qt)                      |
| Cooling System   | Air cooling by fan         | Seawater cooling                    |
| Weight   | 12 kg (26 lb)              | 27.5 kg (61 lb)                     |

\* At continuous power engine speed 2907 min<sup>-1</sup>

\*\* ZF30M Lubricating oil: ATF

| Model  | KM35A2                     | KM4A1                                     | SD60-5<br>(coupled at boat builder)                       |
|--|----------------------------|---|---|
| Type   | Mechanical cone clutch     |   | Mechanical multiple friction disc clutch                  |
| Reduction Ratio (forward / reverse)                        | 2.33 / 3.06<br>2.64 / 3.06 | 1.47 / 1.47<br>2.14 / 2.14<br>2.63 / 2.63 | 2.23 / 2.23<br>2.49 / 2.49                                |
| Propeller Speed (forward / reverse) (min <sup>-1</sup> ) * | 1246 / 950<br>1103 / 950   | 1983 / 1983<br>1360 / 1360<br>1106 / 1106 | 1304 / 1304<br>1167 / 1167                                |
| Lubrication System   | Splash                     | Centrifugal pump                          | Oil bath  |
| Lubricating Oil Capacity (total)                           | 0.65 L (0.69 qt)           | 2.3 L (2.4 qt)                            | 3.1 L (3.3 qt)<br>Long Reach (75mm): 3.3 L (3.4 qt)       |
| Lubricating Oil Capacity (effective)                       | 0.15 L (0.16 qt)           | 0.20 L (0.21 qt)                          | -   |
| Cooling System   | Air cooling by fan         | Seawater cooling                          | -   |
| Weight   | 13 kg (28 lb)              | 29 kg (64 lb)                             | 44 kg (97.0 lb)<br>Long Reach (75mm):<br>48 kg (105.8 lb) |

\* At continuous power engine speed 2907 min<sup>-1</sup>

**4JH4-TE Engine**

| Engine Model                            |                                     | 4JH4-TE   |   |                   |                    |                   |                   |
|---|-------------------------------------|---|---|-------------------|--------------------|-------------------|-------------------|
| Marine Gear Model                       |                                     | ZF30M   | KM4A2                                       | KMH4A             | ZF25A              | SD60-4            | Bobtail           |
| Use                                     |                                     | For recreational use  |   |                   |                    |                   |                   |
| Type                                    |                                     | Vertical water cooled 4-cycle diesel engine                           |   |                   |                    |                   |                   |
| Combustion System                       |                                     | Direct injection  |   |                   |                    |                   |                   |
| Air Charging                            |                                     | Turbocharged  |   |                   |                    |                   |                   |
| Number of Cylinders                     |                                     | 4   |   |                   |                    |                   |                   |
| Bore x Stroke                           |                                     | 84 x 90 mm (3.31 x 3.54 in.)  |   |                   |                    |                   |                   |
| Displacement                            |                                     | 1.995 L (121.74 cu in.)   |   |                   |                    |                   |                   |
| Continuous power                        |                                     | 50.2 kW (68.3 hp metric) / 3101 min <sup>-1</sup> Rating Condition: * |   |                   |                    |                   |                   |
| Fuel stop power                         | Output at crankshaft / engine speed | 55.2 kW (75.1hp metric) / 3200 min <sup>-1</sup> *                    |   |                   |                    |                   |                   |
|   | Output at propeller / engine speed  | 53.0 kW (72.1hp metric) / 3200 min <sup>-1</sup> *                    |   |                   |                    | -                 |                   |
| Installation                            |                                     | Flexible mounting   |   |                   |                    |                   |                   |
| Fuel Injection Timing                   |                                     | Plunger lift at TDC 1.26 ± 0.1 mm (when W-CSD is released)            |   |                   |                    |                   |                   |
| Fuel Injection Opening Pressure         |                                     | 21.6 ± 0.5 MPa  |   |                   |                    |                   |                   |
| Main Power Take Off                     |                                     | At flywheel end   |   |                   |                    |                   |                   |
| Direction of Rotation                   | Crankshaft                          | Counterclockwise viewed from stern                                    |   |                   |                    |                   |                   |
|   | Propeller shaft (Ahead)             | Clockwise from stern  | Clockwise or counterclockwise (Bi-rotation) |                   |                    | -                 |                   |
| Cooling System                          |                                     | Coolant cooling with heat exchanger                                   |   |                   |                    |                   |                   |
| Lubrication System                      |                                     | Forced lubrication system   |   |                   |                    |                   |                   |
| Cooling Water Capacity (fresh)          |                                     | Engine: 7.2 L (7.6 qt), Reservoir: 0.8 L (0.8 qt)                     |   |                   |                    |                   |                   |
| Lubricating Oil Capacity (engine)       | Rake angle                          | 7°  | 0°  |                   |                    |                   | 7° or 0°          |
|   | Total **                            | 5.7 ± 0.3 L (6.0 ± 0.3 qt)  | 6.9 ± 0.3 L (7.3 ± 0.3 qt)                  |                   |                    |                   | Refer to left     |
|   | Oil pan only                        | 5.2 ± 0.3 L (5.5 ± 0.3 qt)  | 6.4 ± 0.3 L (6.8 ± 0.3 qt)                  |                   |                    |                   | Refer to left     |
|   | Effective ***                       | 2.4 L (2.5 qt)  |   |                   |                    |                   |                   |
| Starting System                         | Type                                | Electric  |   |                   |                    |                   |                   |
|   | Starting motor                      | DC 12 V - 1.4 kW  |   |                   |                    |                   |                   |
|   | AC generator                        | 12 V - 125 A  |   |                   |                    |                   |                   |
| Engine Dimension                        | Overall length                      | 923 mm (36.3 in.)   | 903 mm (35.6 in.)                           | 933 mm (36.7 in.) | 1017 mm (40.0 in.) | 782 mm (30.8 in.) | 782 mm (30.8 in.) |
|   | Overall width                       | 616 mm (24.3 in.)   |   |                   |                    |                   |                   |
|   | Overall height                      | 659 mm (25.9 in.)   |   |                   |                    |                   |                   |
| Flywheel Major Dimension                |                                     | D339 x 66 mm (13.3 x 2.6 in.)   |   |                   |                    |                   |                   |
| Engine Dry Mass (including marine gear) |                                     | 235 kg (518 lb)   | 237 kg (523 lb)                             | 238 kg (525 lb)   | 237 kg (523 lb)    | 251 kg (553 lb)   | 207 kg (456 lb)   |

\* Temperature of fuel; 40°C at fuel pump inlet; ISO 8665

\*\* The "total" oil quantity includes oil in oil pan, channels, coolers and filter.

\*\*\* The effective amount of oil shows the difference in maximum scale of the dipstick and minimum scale.

Note: Density of fuel: 0.842g/cm<sup>3</sup> at 15°C. Fuel temperature at the inlet of the fuel injection pump.

Note: 1 hp metric = 0.7355 kW

# SPECIFICATIONS

## 4JH4-HTE Engine

| Engine Model                            |                                     | 4JH4-HTE   |   |                   |                    |                   |
|---|-------------------------------------|--|---|-------------------|--------------------|-------------------|
| Marine Gear Model                       |                                     | ZF30M  | KM4A2                                       | KMH4A             | ZF25A              | Bobtail           |
| Use                                     |                                     | For recreational use                                       |   |                   |                    |                   |
| Type                                    |                                     | Vertical water cooled 4-cycle diesel engine                |   |                   |                    |                   |
| Combustion System                       |                                     | Direct injection   |   |                   |                    |                   |
| Air Charging                            |                                     | Turbocharged   |   |                   |                    |                   |
| Number of Cylinders                     |                                     | 4  |   |                   |                    |                   |
| Bore x Stroke                           |                                     | 84 x 90 mm (3.31 x 3.54 in.)                               |   |                   |                    |                   |
| Displacement                            |                                     | 1.995 L (121.74 cu in.)                                    |   |                   |                    |                   |
| Continuous power                        |                                     | 73.6 kW (100 hp metric) / 3101 min <sup>-1</sup> *         |   |                   |                    |                   |
| Fuel stop power                         | Output at crankshaft / engine speed | 80.9 kW (110 hp metric) / 3200 min <sup>-1</sup> *         |   |                   |                    |                   |
|   | Output at propeller / engine speed  | 77.7 kW (106 hp metric) / 3200 min <sup>-1</sup> *         |   |                   |                    | -                 |
| Installation                            |                                     | Flexible mounting  |   |                   |                    |                   |
| Fuel Injection Timing                   |                                     | Plunger lift at TDC 1.26 ± 0.1 mm (when W-CSD is released) |   |                   |                    |                   |
| Fuel Injection Opening Pressure         |                                     | 21.6 ± 0.5 MPa   |   |                   |                    |                   |
| Main Power Take Off                     |                                     | At flywheel end  |   |                   |                    |                   |
| Direction of Rotation                   | Crankshaft                          | Counterclockwise viewed from stern                         |   |                   |                    |                   |
|   | Propeller shaft (Ahead)             | Clockwise from stern                                       | Clockwise or counterclockwise (Bi-rotation) |                   |                    | -                 |
| Cooling System                          |                                     | Coolant cooling with heat exchanger                        |   |                   |                    |                   |
| Lubrication System                      |                                     | Forced lubrication system                                  |   |                   |                    |                   |
| Cooling Water Capacity (fresh)          |                                     | Engine: 7.2 L (7.6 qt), Reservoir: 0.8 L (0.8 qt)          |   |                   |                    |                   |
| Lubricating Oil Capacity (engine)       | Rake angle                          | 7°   | 0°  |                   |                    | 7° or 0°          |
|   | Total **                            | 5.7 ± 0.3 L (6.0 ± 0.3 qt)                                 | 6.9 ± 0.3 L (7.3 ± 0.3 qt)                  |                   |                    | Refer to left     |
|   | Oil pan only                        | 5.2 ± 0.3 L (5.5 ± 0.3 qt)                                 | 6.4 ± 0.3 L (6.8 ± 0.3 qt)                  |                   |                    | Refer to left     |
|   | Effective ***                       | 2.4 L (2.5 qt)   |   |                   |                    |                   |
| Starting System                         | Type                                | Electric   |   |                   |                    |                   |
|   | Starting motor                      | DC 12 V - 1.4 kW   |   |                   |                    |                   |
|   | AC generator                        | 12 V - 125 A   |   |                   |                    |                   |
| Engine Dimension                        | Overall length                      | 923 mm (36.3 in.)  | 903 mm (35.6 in.)                           | 933 mm (36.7 in.) | 1017 mm (40.0 in.) | 782 mm (30.8 in.) |
|   | Overall width                       | 616 mm (24.3 in.)  |   |                   |                    |                   |
|   | Overall height                      | 659 mm (25.9 in.)  |   |                   |                    |                   |
| Flywheel Major Dimension                |                                     | D339 x 66 mm (13.3 x 2.6 in.)                              |   |                   |                    |                   |
| Engine Dry Mass (including marine gear) |                                     | 245 kg (540 lb)  | 247 kg (545 lb)                             | 248 kg (547 lb)   | 247 kg (545 lb)    | 217 kg (478 lb)   |

\* Rating Condition: Temperature of fuel; 40°C at fuel pump inlet; ISO 8665

\*\* The "total" oil quantity includes oil in oil pan, channels, coolers and filter.

\*\*\* The effective amount of oil shows the difference in maximum scale of the dipstick and minimum scale.

Note: Density of fuel: 0.842g/cm<sup>3</sup> at 15°C. Fuel temperature at the inlet of the fuel injection pump.

Note: 1 hp metric = 0.7355 kW.

Note: Since 2012, the 4JH4-HTE is not covered by the EPA regulation.

**4JH4-TE and 4JH4-HTE Marine Gear or Sail Drive**

| Model   | ZF30M                               | KM4A2                                     | KMH4A                              | ZF25A                              | SD60-4 (coupled at boat builder)                          |
|---|-------------------------------------|---|------------------------------------|------------------------------------|---|
| Down Angle  | 0°                                  | 7°  | 8°                                 | 8°                                 | -   |
| Type  | Mechanical wet multiple disk clutch | Mechanical cone clutch                    | Hydraulic wet multiple disk clutch | Hydraulic wet multiple disk clutch | Mechanical multiple friction disc clutch                  |
| Reduction Ratio (forward / reverse)                       | 2.15 / 2.64<br>2.70 / 2.64          | 1.47 / 1.47<br>2.14 / 2.14<br>2.63 / 2.63 | 2.04 / 2.04<br>2.45 / 2.45         | 1.93 / 1.93<br>2.48 / 2.48         | 2.23 / 2.23<br>2.49 / 2.49                                |
| Propeller Speed (forward / reverse) (min <sup>-1</sup> )* | 1444 / 1176<br>1150 / 1176          | 2115 / 2113<br>1451 / 1450<br>1180 / 1179 | 1520 / 1520<br>1263 / 1263         | 1607 / 1607<br>1250 / 1250         | 1391 / 1391<br>1245 / 1245                                |
| Lubrication System  | Splash                              | Centrifugal pump                          | Trochoid pump                      | Trochoid pump                      | Oil bath  |
| Lubrication Oil   | ATF                                 | API CD or higher SAE #20 or #30           |                                    | ATF                                | 15W-40  |
| Lubricating Oil Capacity (total)                          | 1.1 L (1.2 qt)                      | 3.3 L (3.4 qt)                            | 2.0 L (2.1 qt)                     | 1.8 L (1.9 qt)                     | 3.1 L (3.3 qt)<br>Long Reach (75mm):<br>3.3 L (3.4 qt)    |
| Lubricating Oil Capacity (effective)                      | 0.2 L (0.2 qt)                      | 0.3 L (0.3 qt)                            | 0.2 L (0.2 qt)                     | -                                  | -   |
| Cooling: System   | Seawater cooling                    |   |                                    |                                    | -   |
| Weight  | 27.5 kg (61 lb)                     | 30 kg (66 lb)                             | 31 kg (68 lb)                      | 30 kg (66 lb)                      | 45 kg (99.2 lb)<br>Long Reach (75mm):<br>49 kg (108.0 lb) |

\* At continuous power engine speed 2907 min<sup>-1</sup>

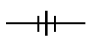
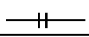
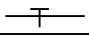
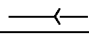
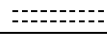
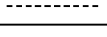
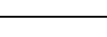
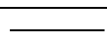

**This Page Intentionally Left Blank**



# SYSTEM DIAGRAMS

---

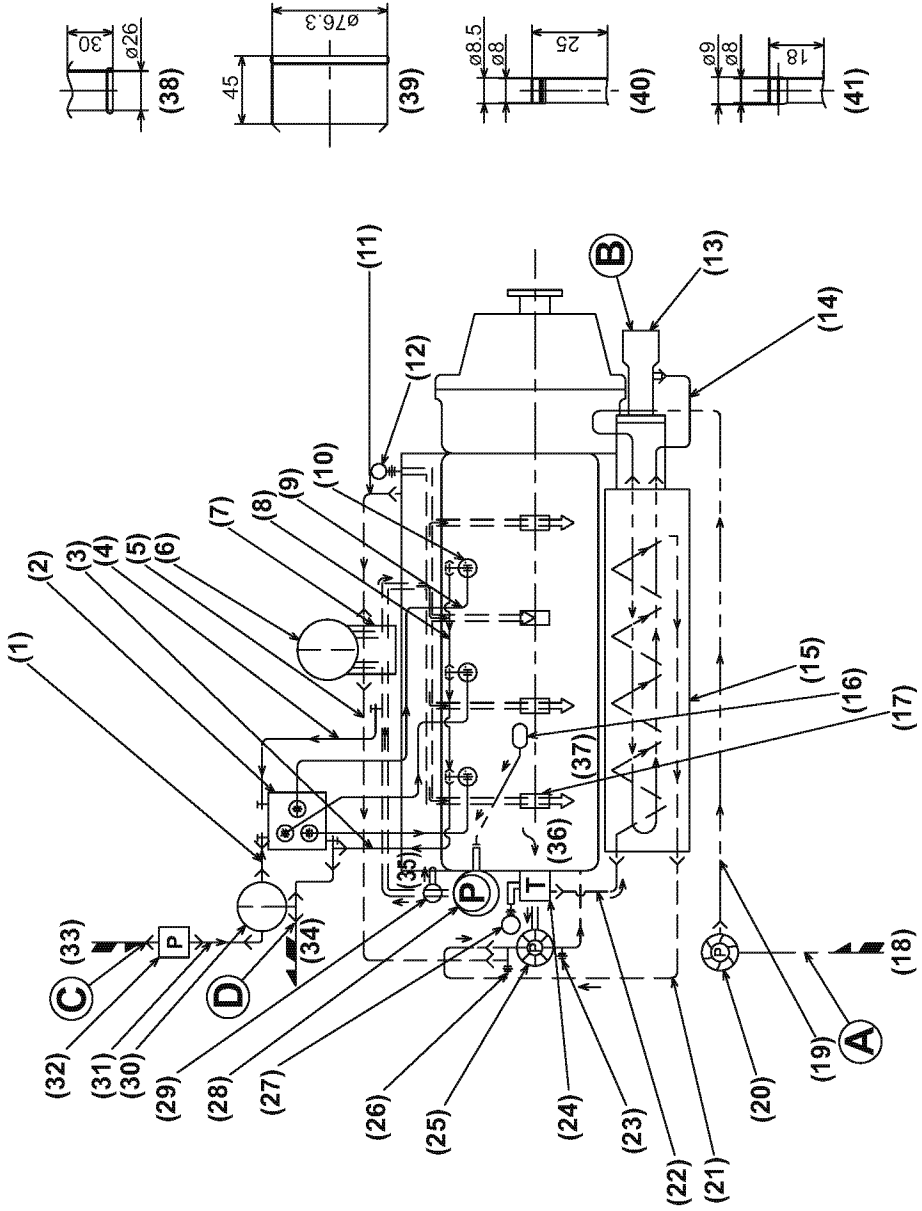
## PIPING DIAGRAMS

| Notation  | Description             |
|---|-------------------------|
|    | Screw Joint (Union)     |
|    | Flange Joint            |
|    | Eye Joint               |
|    | Insertion Joint         |
|    | Drilled Hole            |
|    | Coolant Piping          |
|    | Cooling Seawater Piping |
|  | Lubricating Oil Piping  |
|  | Diesel Fuel Piping      |

Note:

- Dimension of steel pipe: outer diameter x thickness.
- Dimension of rubber pipe: inner diameter x thickness.
- Fuel rubber pipes (marked \*) satisfy EN / ISO7840.

3JH5E / 3JH5AE with KM35P, KM35A Marine Gear

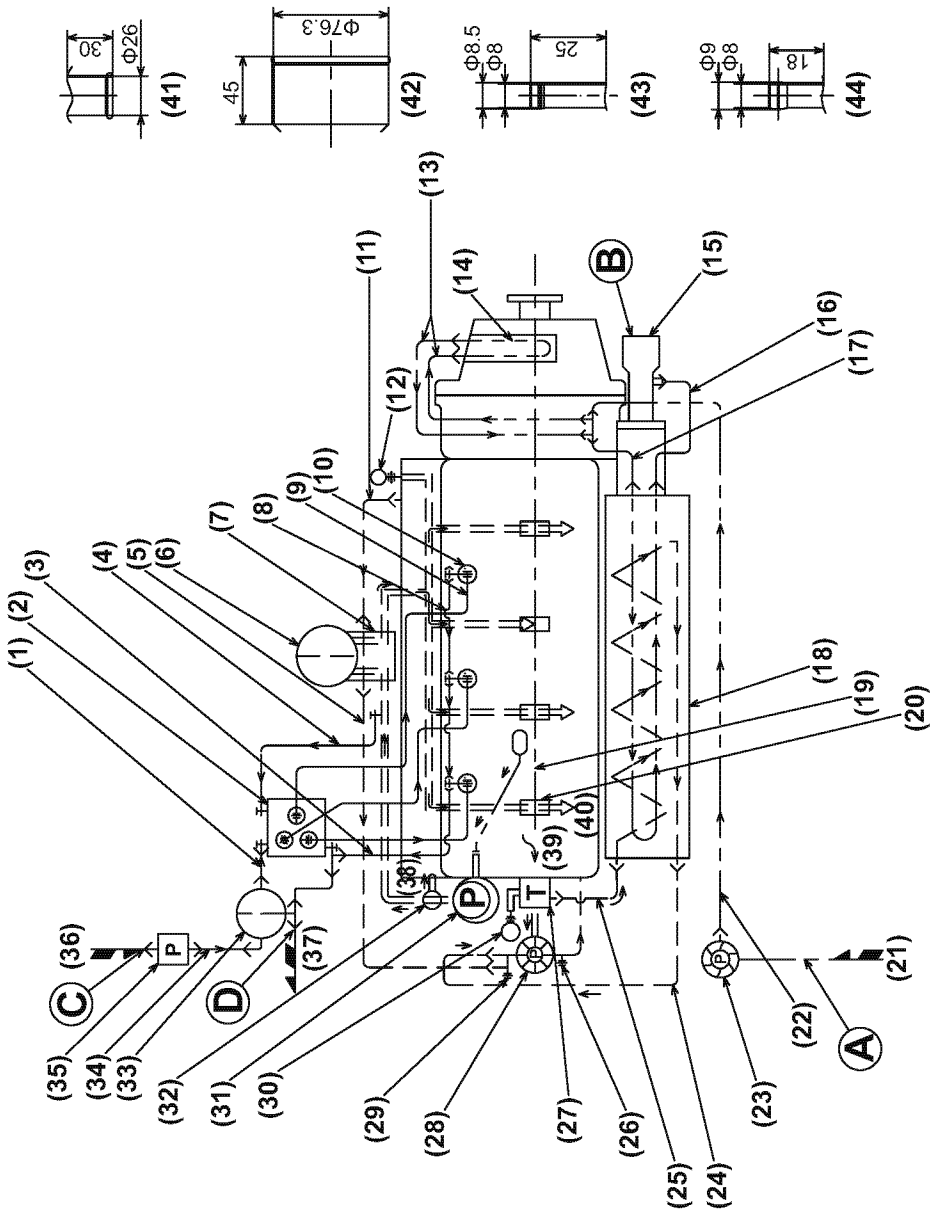


026104-00X00

Figure 1

- 1 – \* 7 x t4.5 Rubber Hose
- 2 – Fuel Injection Pump
- 3 – \* 5 x t4.5 Rubber Hose
- 4 – \* 4.76 x t0.7 Steel Pipe
- 5 – \* 9 x t3.5 Rubber Hose
- 6 – Lubricating Oil Filter (cartridge type)
- 7 – Lubricating Oil Cooler
- 8 – \* 5 x t4.5 Rubber Hose
- 9 – Fuel High-Pressure Pipe 6.35 x t2.375 Steel Pipe
- 10 – Fuel Injection Nozzle
- 11 – 9 x t3.5 Rubber Hose
- 12 – Oil Pressure Switch
- 13 – Mixing Elbow
- 14 – 25.4 x t4.3 Rubber Hose
- 15 – Heat Exchanger
- 16 – Lubricating Oil Inlet Filter
- 17 – Main Bearing
- 18 – Seawater Inlet
- 19 – 25.4 x t4.3 Rubber Hose
- 20 – Cooling Water Pump (seawater)
- 21 – 28 x t4 Rubber Hose
- 22 – 28 x t4 Rubber Hose
- 23 – Hot Water Connection Outlet (R3/8)
- 24 – Thermostat
- 25 – Coolant Pump (fresh water)
- 26 – Hot Water Connection Inlet (R3/8)
- 27 – Coolant Temperature Switch
- 28 – Lubricating Oil Pump
- 29 – Pressure Control Valve
- 30 – Fuel Filter (cartridge type)
- 31 – \* 7 x t4.5 Rubber Hose
- 32 – Fuel Feed Pump
- 33 – Fuel Inlet
- 34 – Fuel Overflow
- 35 – To Oil Pan
- 36 – From Cylinder Head
- 37 – To Camshaft
- 38 – Detail of Part A
- 39 – Detail of Part B
- 40 – Detail of Part C
- 41 – Detail of Part D

3JH5E / 3JH5AE with KM4A1 Marine Gear

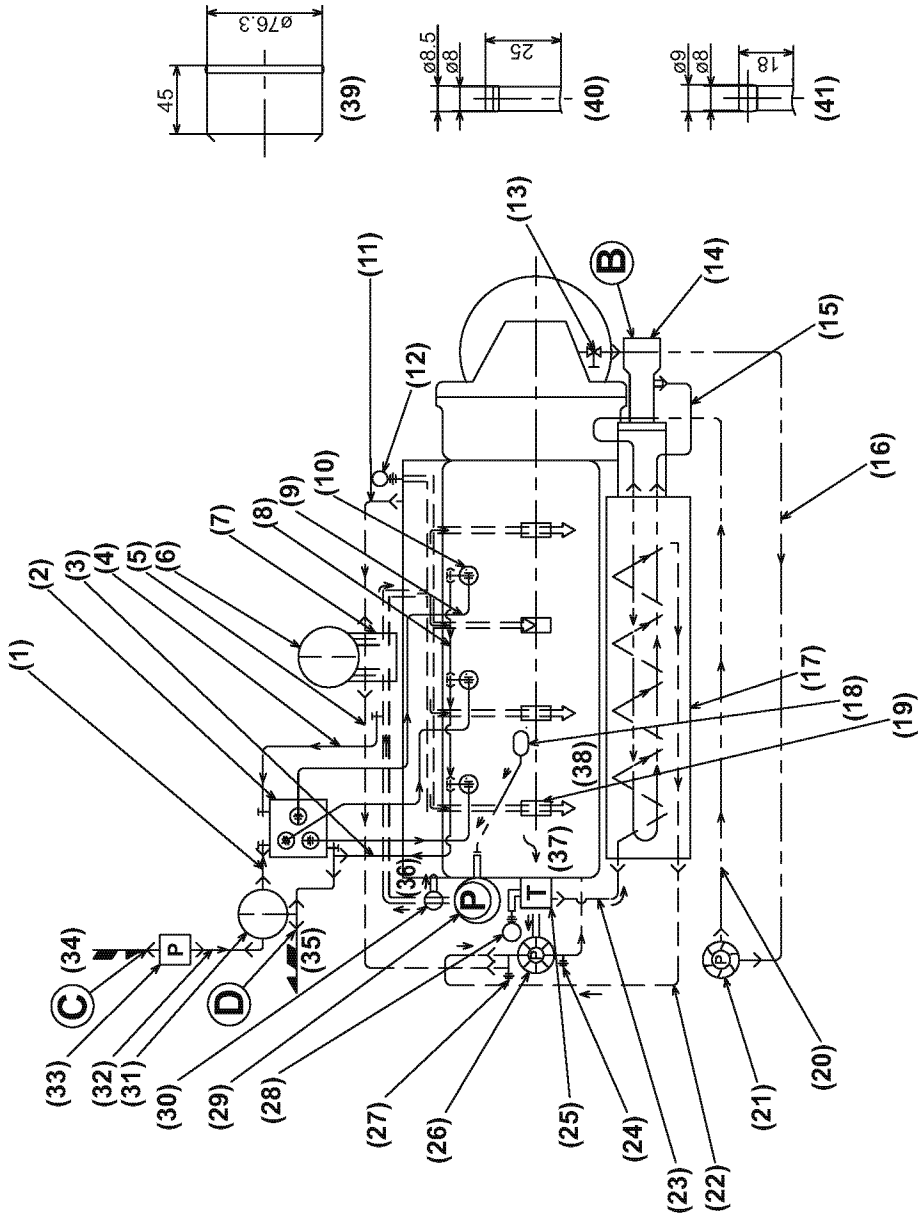


026114-00X00

Figure 2

- 
- |  |   |
|--|---|
| 1 – * 7 x t4.5 Rubber Hose                           | 23 – Cooling Water Pump (seawater)      |
| 2 – Fuel Injection Pump                              | 24 – 28 x t4 Rubber Hose                |
| 3 – * 5 x t4.5 Rubber Hose                           | 25 – 28 x t4 Rubber Hose                |
| 4 – 4.76 x 0.7 Steel Pipe                            | 26 – Hot Water Connection Outlet (R3/8) |
| 5 – 9 x t3.5 Rubber Hose                             | 27 – Thermostat                         |
| 6 – Lubricating Oil Filter (cartridge type)          | 28 – Coolant Pump (fresh water)         |
| 7 – Lubricating Oil Cooler                           | 29 – Hot Water Connection Inlet (R3/8)  |
| 8 – * 5 x t4.5 Rubber Hose                           | 30 – Coolant Temperature Switch         |
| 9 – Fuel High-Pressure Pipe 6.35 x t2.375 Steel Pipe | 31 – Lubricating Oil Pump               |
| 10 – Fuel Injection Nozzle                           | 32 – Pressure Control Valve             |
| 11 – 9 x t3.5 Rubber Hose                            | 33 – Fuel Filter (cartridge type)       |
| 12 – Oil Pressure Switch                             | 34 – * 7 x t4.5 Rubber Hose             |
| 13 – 13 x t4 Rubber Hose                             | 35 – Fuel Feed Pump                     |
| 14 – Clutch Lubricating Oil Cooler                   | 36 – Fuel Inlet                         |
| 15 – Mixing Elbow                                    | 37 – Fuel Overflow                      |
| 16 – 25.4 x t4.3 Rubber Hose                         | 38 – To Oil Pan                         |
| 17 – 25.4 x t4.3 Rubber Hose                         | 39 – From Cylinder Head                 |
| 18 – Heat Exchanger                                  | 40 – To Camshaft                        |
| 19 – Lubricating Oil Inlet Filter                    | 41 – Detail of Part A                   |
| 20 – Main Bearing                                    | 42 – Detail of Part B                   |
| 21 – Seawater Inlet                                  | 43 – Detail of Part C                   |
| 22 – 25.4 x t4.3 Rubber Hose                         | 44 – Detail of Part D                   |

3JH5E / 3JH5AE with SD60 Sail Drive

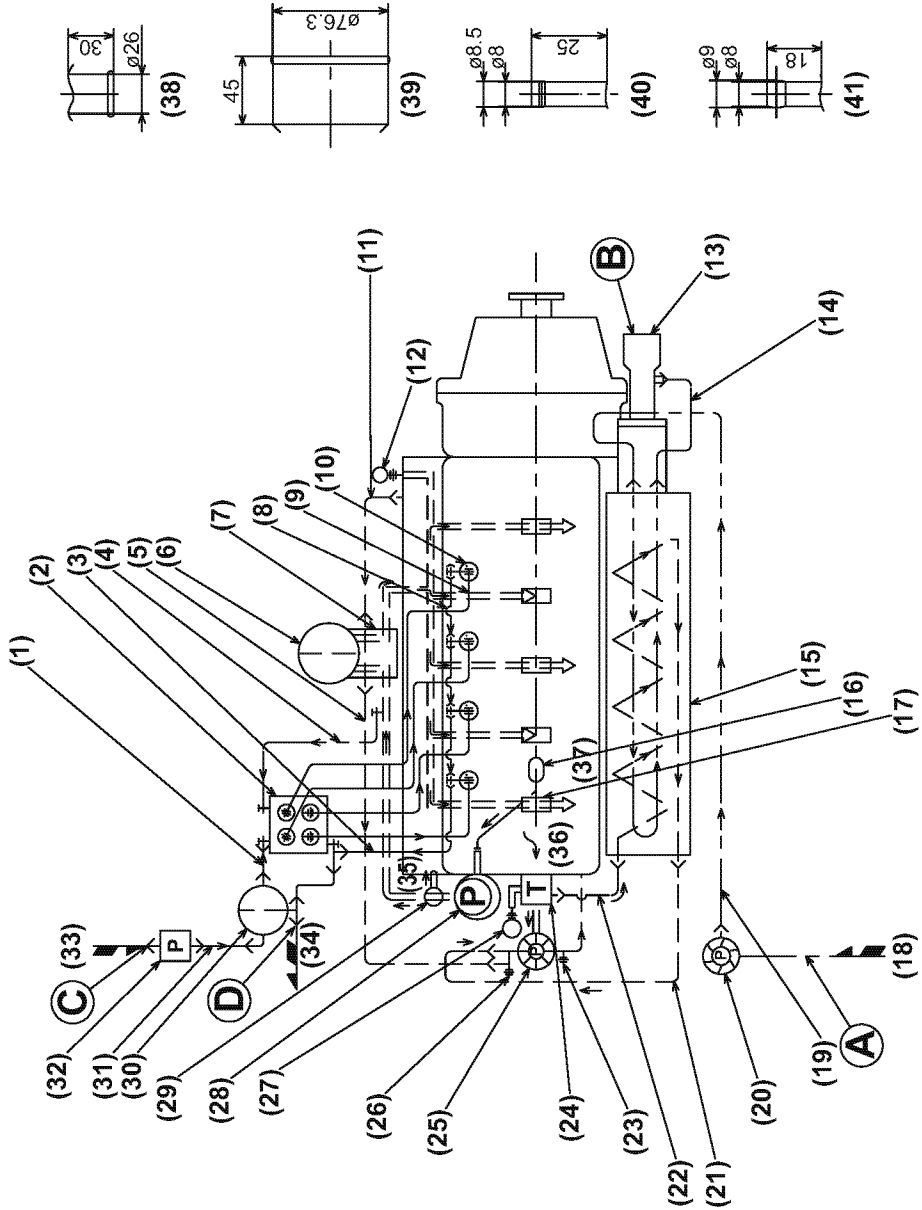


026105-00X00

Figure 3

- 1 – \* 7 x t4.5 Rubber Hose
- 2 – Fuel Injection Pump
- 3 – \* 5 x t4.5 Rubber Hose
- 4 – 4.76 x t0.7 Steel Pipe
- 5 – \* 9 x t3.5 Rubber Hose
- 6 – Lubricating Oil Filter (cartridge type)
- 7 – Lubricating Oil Cooler
- 8 – \* 5 x t4.5 Rubber Hose
- 9 – Fuel High-Pressure Pipe 6.35 x t2.375 Steel Pipe
- 10 – Fuel Injection Nozzle
- 11 – 9 x t3.5 Rubber Hose
- 12 – Oil Pressure Switch
- 13 – Cock (seawater inlet)
- 14 – Mixing Elbow
- 15 – 25.4 x t4.3 Rubber Hose
- 16 – 25.4 x t4.3 Rubber Hose
- 17 – Heat Exchanger
- 18 – Lubricating Oil Inlet Filter
- 19 – Main Bearing
- 20 – 25.4 x t4.3 Rubber Hose
- 21 – Cooling Water Pump (seawater)
- 22 – 28 x t4 Rubber Hose
- 23 – 28 x t4 Rubber Hose
- 24 – Hot Water Connection Outlet (R3/8)
- 25 – Thermostat
- 26 – Coolant Pump (fresh water)
- 27 – Hot Water Connection Inlet (R3/8)
- 28 – Coolant Temperature Switch
- 29 – Lubricating Oil Pump
- 30 – Pressure Control Valve
- 31 – Fuel Filter (cartridge type)
- 32 – \* 7 x t4.5 Rubber Hose
- 33 – Fuel Feed Pump
- 34 – Fuel Inlet
- 35 – Fuel Overflow
- 36 – To Oil Pan
- 37 – From Cylinder Head
- 38 – To Camshaft
- 39 – Detail of Part B
- 40 – Detail of Part C
- 41 – Detail of Part D

4JH5E with KM35P, KM35A2 Marine Gear

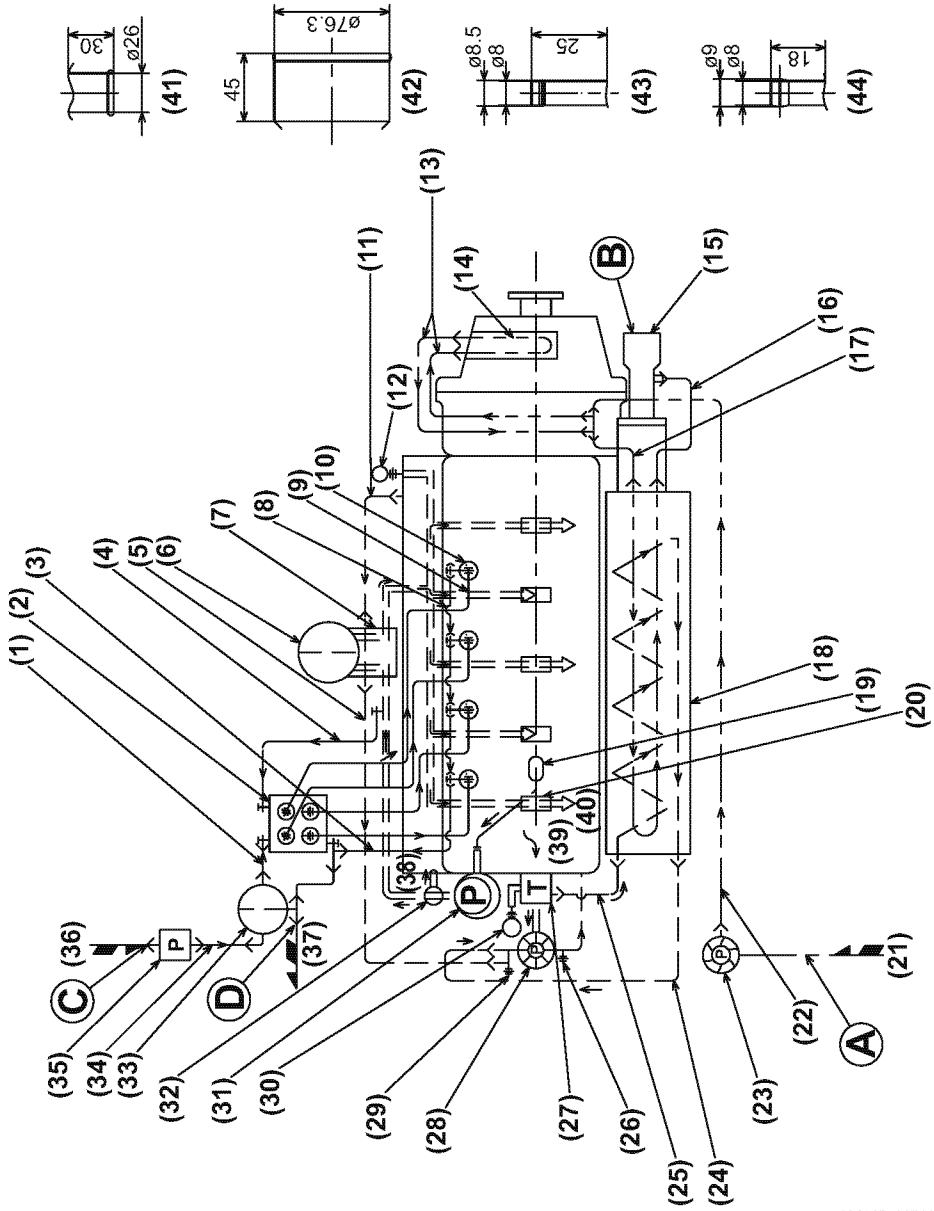


026106-00X00



- 1 – \* 7 x t4.5 Rubber Hose
- 2 – Fuel Injection Pump
- 3 – \* 5 x t4.5 Rubber Hose
- 4 – 4.76 x t0.7 Steel Pipe
- 5 – 9 x t3.5 Rubber Hose
- 6 – Lubricating Oil Filter (cartridge type)
- 7 – Lubricating Oil Cooler
- 8 – \* 5 x t4.5 Rubber Hose
- 9 – Fuel High-Pressure Pipe 6.35 x t2.375 Steel Pipe
- 10 – Fuel Injection Nozzle
- 11 – 9 x t3.5 Rubber Hose
- 12 – Oil Pressure Switch
- 13 – Mixing Elbow
- 14 – 25.4 x t4.3 Rubber Hose
- 15 – Heat Exchanger
- 16 – Lubricating Oil Inlet Filter
- 17 – Main Bearing
- 18 – Seawater Inlet
- 19 – 25.4 x t4.3 Rubber Hose
- 20 – Cooling Water Pump (seawater)
- 21 – 28 x t4 Rubber Hose
- 22 – 28 x t4 Rubber Hose
- 23 – Hot Water Connection Outlet (R3/8)
- 24 – Thermostat
- 25 – Coolant Pump (fresh water)
- 26 – Hot Water Connection Inlet (R3/8)
- 27 – Coolant Temperature Switch
- 28 – Lubricating Oil Pump
- 29 – Pressure Control Valve
- 30 – Fuel Filter (cartridge type)
- 31 – \* 7 x t4.5 Rubber Hose
- 32 – Fuel Feed Pump
- 33 – Fuel Inlet
- 34 – Fuel Overflow
- 35 – To Oil Pan
- 36 – From Cylinder Head
- 37 – To Camshaft
- 38 – Detail of Part A
- 39 – Detail of Part B
- 40 – Detail of Part C
- 41 – Detail of Part D

4JH5E with KM4A1 Marine Gear

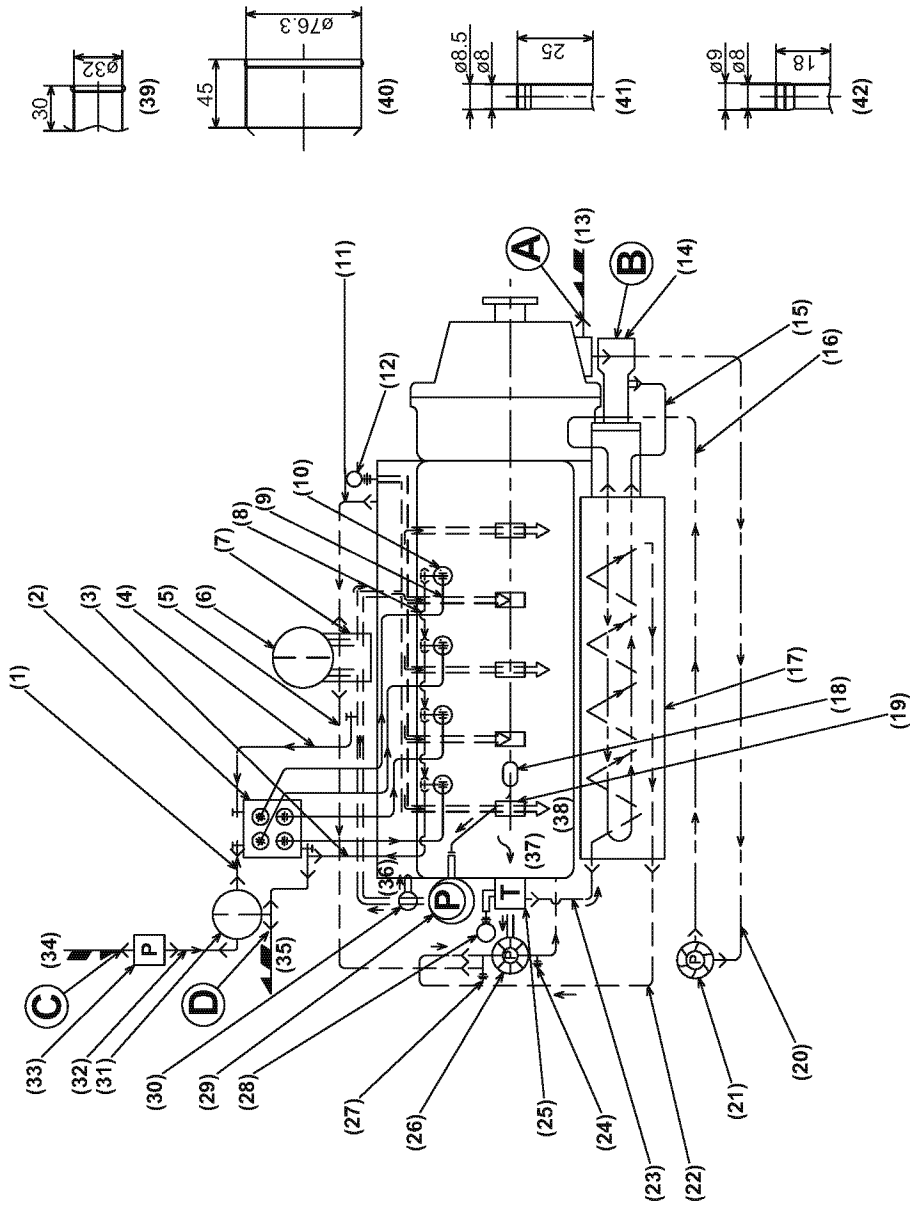


026107-00X00

Figure 5

- 1 – \* 7 x t4.5 Rubber Hose
- 2 – Fuel Injection Pump
- 3 – \* 5 x t4.5 Rubber Hose
- 4 – 4.76 x 0.7 Steel Pipe
- 5 – 9 x t3.5 Rubber Hose
- 6 – Lubricating Oil Filter (cartridge type)
- 7 – Lubricating Oil Cooler
- 8 – \* 5 x t4.5 Rubber Hose
- 9 – Fuel High-Pressure Pipe 6.35 x t2.375 Steel Pipe
- 10 – Fuel Injection Nozzle
- 11 – 9 x t3.5 Rubber Hose
- 12 – Oil Pressure Switch
- 13 – 13 x t4 Rubber Hose
- 14 – Clutch Lubricating Oil Cooler
- 15 – Mixing Elbow
- 16 – 25.4 x t4.3 Rubber Hose
- 17 – 25.4 x t4.3 Rubber Hose
- 18 – Heat Exchanger
- 19 – Lubricating Oil Inlet Filter
- 20 – Main Bearing
- 21 – Seawater Inlet
- 22 – 25.4 x t4.3 Rubber Hose
- 23 – Cooling Water Pump (seawater)
- 24 – 28 x t4 Rubber Hose
- 25 – 28 x t4 Rubber Hose
- 26 – Hot Water Connection Outlet (R3/8)
- 27 – Thermostat
- 28 – Coolant Pump (fresh water)
- 29 – Hot Water Connection Inlet (R3/8)
- 30 – Coolant Temperature Switch
- 31 – Lubricating Oil Pump
- 32 – Pressure Control Valve
- 33 – Fuel Filter (cartridge type)
- 34 – \* 7 x t4.5 Rubber Hose
- 35 – Fuel Feed Pump
- 36 – Fuel Inlet
- 37 – Fuel Overflow
- 38 – To Oil Pan
- 39 – From Cylinder Head
- 40 – To Camshaft
- 41 – Detail of Part A
- 42 – Detail of Part B
- 43 – Detail of Part C
- 44 – Detail of Part D

4JH5E with ZF30M Marine Gear

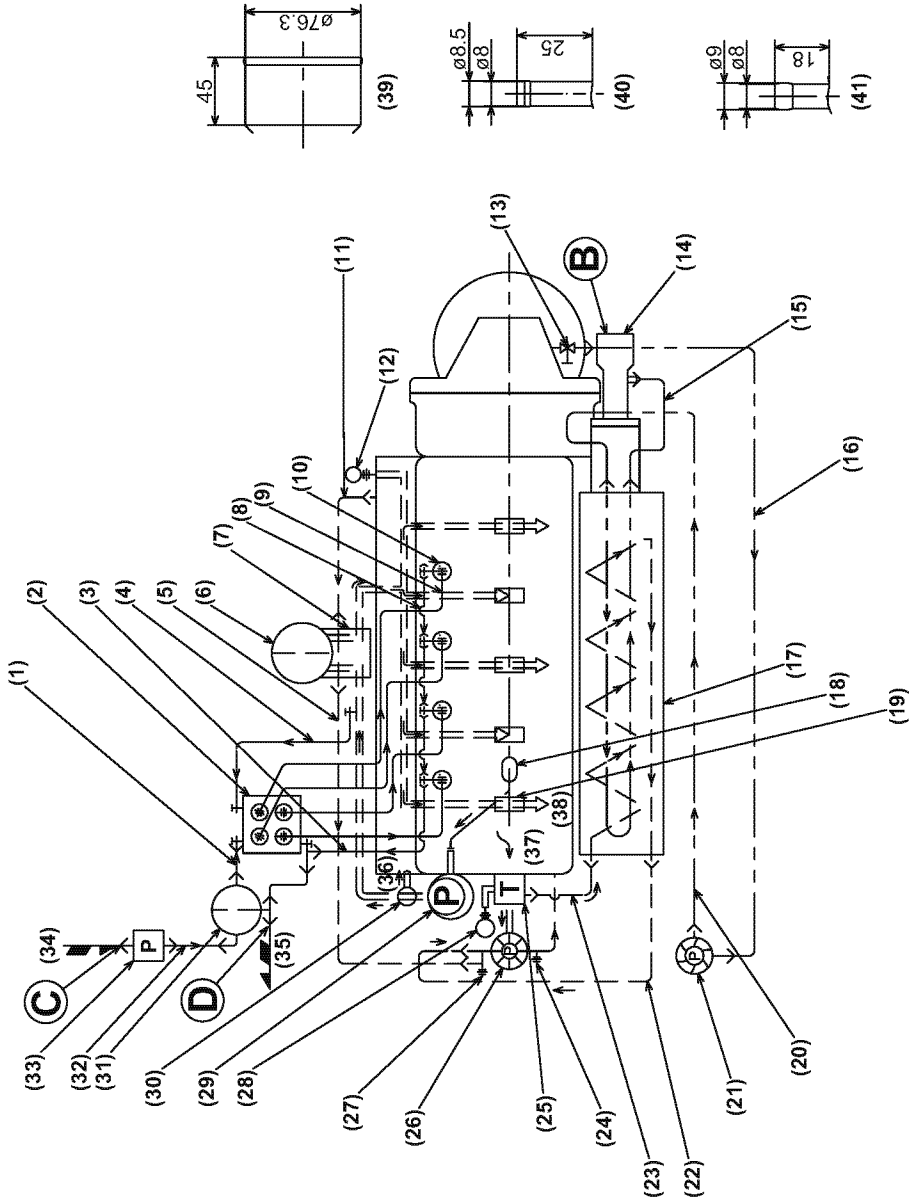


026108-00X00

Figure 6

- 1 – \* 7 x t4.5 Rubber Hose
- 2 – Fuel Injection Pump
- 3 – \* 5 x t4.5 Rubber Hose
- 4 – 4.76 x t0.7 Steel Pipe
- 5 – 9 x t3.5 Rubber Hose
- 6 – Lubricating Oil Filter (cartridge type)
- 7 – Lubricating Oil Cooler
- 8 – \* 5 x t4.5 Rubber Hose
- 9 – Fuel High-Pressure Pipe 6.35 x t2.375 Steel Pipe
- 10 – Fuel Injection Nozzle
- 11 – 9 x t3.5 Rubber Hose
- 12 – Oil Pressure Switch
- 13 – Seawater Inlet
- 14 – Mixing Elbow
- 15 – 25.4 x t4.3 Rubber Hose
- 16 – 25.4 x t4.3 Rubber Hose
- 17 – Heat Exchanger
- 18 – Lubricating Oil Inlet Filter
- 19 – Main Bearing
- 20 – 25.4 x t4.3 Rubber Hose
- 21 – Cooling Water Pump (seawater)
- 22 – 28 x t4 Rubber Hose
- 23 – 28 x t4 Rubber Hose
- 24 – Hot Water Connection Outlet (R3/8)
- 25 – Thermostat
- 26 – Coolant Pump (fresh water)
- 27 – Hot Water Connection Inlet (R3/8)
- 28 – Coolant Temperature Switch
- 29 – Lubricating Oil Pump
- 30 – Pressure Control Valve
- 31 – Fuel Filter (cartridge type)
- 32 – \* 7 x t4.5 Rubber Hose
- 33 – Fuel Feed Pump
- 34 – Fuel Inlet
- 35 – Fuel Overflow
- 36 – To Oil Pan
- 37 – From Cylinder Head
- 38 – To Camshaft
- 39 – Detail of Part A
- 40 – Detail of Part B
- 41 – Detail of Part C
- 42 – Detail of Part D

4JH5E with SD60 Sail Drive



026109-00X00

Figure 7

- 1 – \* 7 x t4.5 Rubber Hose
- 2 – Fuel Injection Pump
- 3 – \* 5 x t4.5 Rubber Hose
- 4 – 4.76 x t0.7 Steel Pipe
- 5 – 9 x t3.5 Rubber Hose
- 6 – Lubricating Oil Filter (cartridge type)
- 7 – Lubricating Oil Cooler
- 8 – \* 5 x t4.5 Rubber Hose
- 9 – Fuel High-Pressure Pipe 6.35 x t2.375 Steel Pipe
- 10 – Fuel Injection Nozzle
- 11 – 9 x t3.5 Rubber Hose
- 12 – Oil Pressure Switch
- 13 – Seacock
- 14 – Mixing Elbow
- 15 – 25.4 x t4.3 Rubber Hose
- 16 – 25.4 x t4.3 Rubber Hose
- 17 – Heat Exchanger
- 18 – Lubricating Oil Inlet Filter
- 19 – Main Bearing
- 20 – 25.4 x t4.3 Rubber Hose
- 21 – Cooling Water Pump
- 22 – 28 x t4 Rubber Hose
- 23 – 28 x t4 Rubber Hose
- 24 – Hot Water Connection Outlet (R3/8)
- 25 – Thermostat
- 26 – Coolant Pump (fresh water)
- 27 – Hot Water Connection Inlet (R3/8)
- 28 – Coolant Temperature Switch
- 29 – Lubricating Oil Pump
- 30 – Pressure Control Valve
- 31 – Fuel Filter (cartridge type)
- 32 – \* 7 x t4.5 Rubber Hose
- 33 – Fuel Feed Pump
- 34 – Fuel Inlet
- 35 – Fuel Overflow
- 36 – To Oil Pan
- 37 – From Cylinder Head
- 38 – To Camshaft
- 39 – Detail of Part B
- 40 – Detail of Part C
- 41 – Detail of Part D

4JH4-TE with ZF30M

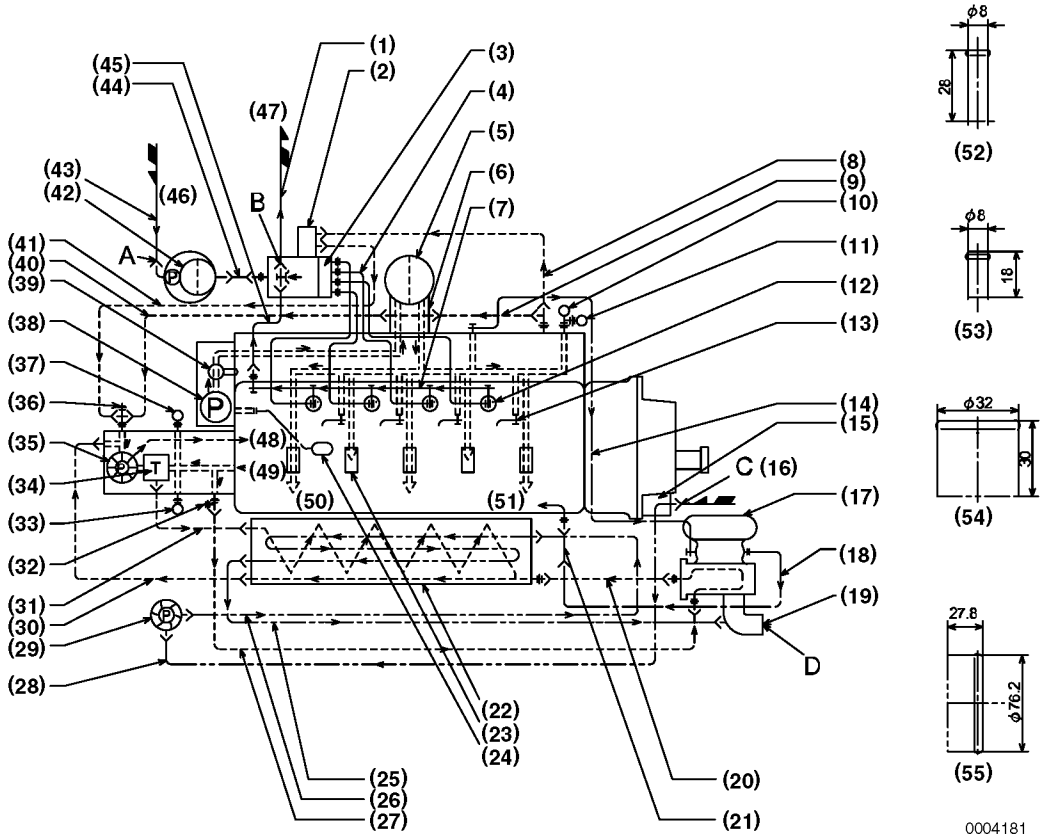


Figure 8

0004181



- |   |                           |
|---|---------------------------|
| 1 – * 7 x t4.5 Rubber Hose                    | 45 – 5 x t4.5 Rubber Hose |
| 2 – W-C S.D.                                  | 46 – Diesel Fuel Inlet    |
| 3 – Fuel Injection Pump                       | 47 – Fuel Overflow        |
| 4 – Fuel High-Pressure Pipe 6.35 x t2.175 STS | 48 – To Block             |
| 5 – Lubrication Oil Filter (cartridge type)   | 49 – From Head            |
| 6 – Lubrication Oil Cooler                    | 50 – To Camshaft          |
| 7 – 4.76 x t0.7 Double-Walled Steel Tube      | 51 – To Oil Pan           |
| 8 – 10 x t4.3 Rubber Hose                     | 52 – Detail of Part A     |
| 9 – 13 x t3.5 Rubber Hose                     | 53 – Detail of Part B     |
| 10 – Oil Pressure Switch                      | 54 – Detail of Part C     |
| 11 – Oil Pressure Sensor (option)             | 55 – Detail of Part D     |
| 12 – Fuel Injection Nozzle                    |                           |
| 13 – Piston Cooling Oil Jet                   |                           |
| 14 – 8 x t0.8 STKM                            |                           |
| 15 – Clutch Lubrication Oil Cooler            |                           |
| 16 – Seawater Inlet                           |                           |
| 17 – Turbocharger                             |                           |
| 18 – 17 x t1.2 STKM                           |                           |
| 19 – Mixing Elbow                             |                           |
| 20 – 8.5 x t3.5 Rubber Hose                   |                           |
| 21 – 17 x t3 Rubber Hose                      |                           |
| 22 – Heat Exchanger                           |                           |
| 23 – Main Bearing                             |                           |
| 24 – Lubrication Oil Inlet Filter             |                           |
| 25 – 25.4 x t4.3 Rubber Hose                  |                           |
| 26 – 25.4 x t4.3 Rubber Hose                  |                           |
| 27 – 7.5 x t2.5 Rubber Hose                   |                           |
| 28 – 25.4 x t4.3 Rubber Hose                  |                           |
| 29 – Cooling Water Pump (seawater)            |                           |
| 30 – 28 x t4 Rubber Hose                      |                           |
| 31 – 28 x t4 Rubber Hose                      |                           |
| 32 – Hot Water Connection Outlet              |                           |
| 33 – Coolant Temperature Switch               |                           |
| 34 – Thermostat                               |                           |
| 35 – Cooling Water Pump (coolant)             |                           |
| 36 – Hot Water Connection Return              |                           |
| 37 – Coolant Temperature Sensor (option)      |                           |
| 38 – Lubrication Oil Pump                     |                           |
| 39 – Pressure Control Valve                   |                           |
| 40 – 13 x t3.5 Rubber Hose                    |                           |
| 41 – 10 x t3 Rubber Hose                      |                           |
| 42 – Diesel Fuel Filter (cartridge type)      |                           |
| 43 – 7 x t4.5 Rubber Hose                     |                           |
| 44 – 7 x t4.5 Rubber Hose                     |                           |

4JH4-TE with KM4A2

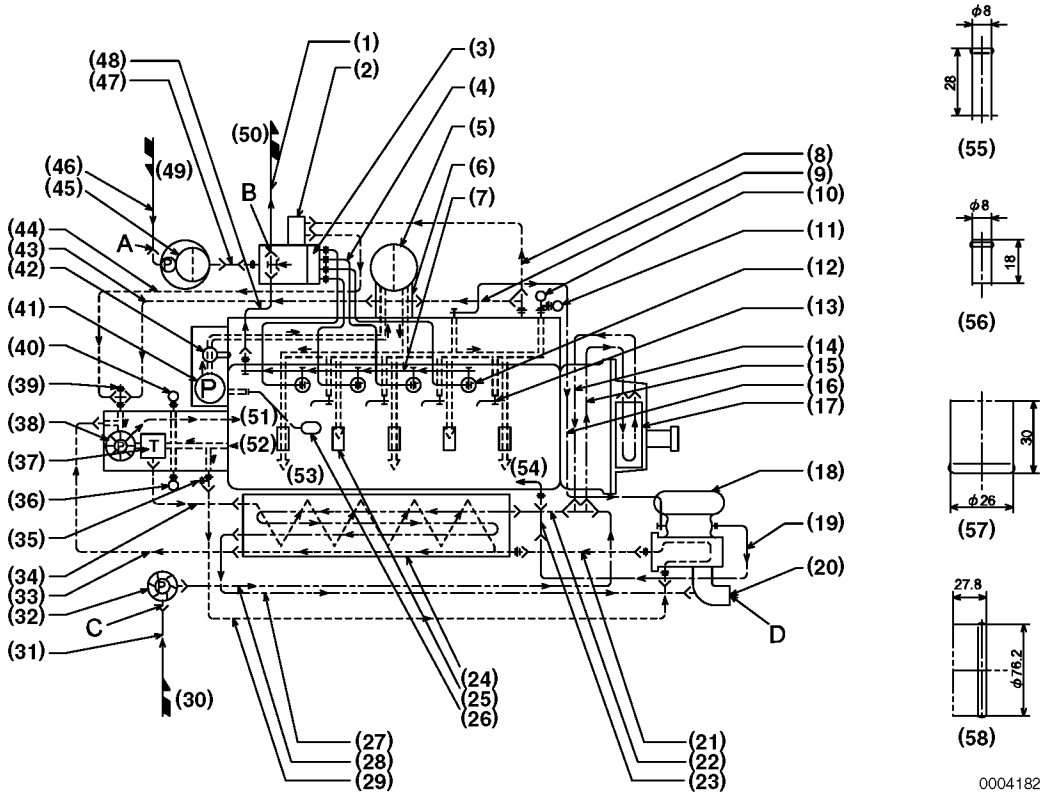


Figure 9

0004182

- 1 – \* 7 x t4.5 Rubber Hose
- 2 – W-C S.D.
- 3 – Fuel Injection Pump
- 4 – Fuel High-Pressure Pipe 6.35 x t2.175 STS
- 5 – Lubrication Oil Filter (cartridge type)
- 6 – Lubrication Oil Cooler
- 7 – 4.76 x t0.7 Double-Walled Steel Tube
- 8 – 10 x t3 Rubber Hose
- 9 – 13 x t4.5 Rubber Hose
- 10 – Oil Pressure Switch
- 11 – Oil Pressure Sensor (option)
- 12 – Fuel Injection Nozzle
- 13 – Piston Cooling Oil Jet
- 14 – 13 x t4 Rubber Hose
- 15 – 13 x t4 Rubber Hose
- 16 – 8 x t0.8 STKM
- 17 – Clutch Lubrication Oil Cooler
- 18 – Turbocharger
- 19 – 17 x t1.2 STKM
- 20 – Mixing Elbow
- 21 – 8.5 x t3.5 Rubber Hose
- 22 – 25.4 x t4.3 Rubber Hose
- 23 – 17 x t3 Rubber Hose
- 24 – Heat Exchanger
- 25 – Main Bearing
- 26 – Lubrication Oil Inlet Filter
- 27 – 25.4 x t4.3 Rubber Hose
- 28 – 25.4 x t4.3 Rubber Hose
- 29 – 7.5 x t2.5 Rubber Hose
- 30 – Seawater Inlet
- 31 – 25.4 x t4.3 Rubber Hose
- 32 – Cooling Water Pump (seawater)
- 33 – 28 x t4 Rubber Hose
- 34 – 28 x t4 Rubber Hose
- 35 – Hot Water Connection Outlet
- 36 – Coolant Temperature Switch
- 37 – Thermostat
- 38 – Cooling Water Pump (coolant)
- 39 – Hot Water Connection Return
- 40 – Coolant Temperature Sensor (option)
- 41 – Lubrication Oil Pump
- 42 – Pressure Control Valve
- 43 – 13 x t3.5 Rubber Hose
- 44 – 10 x t3 Rubber Hose
- 45 – Diesel Fuel Filter (cartridge type)
- 46 – \* 7 x t4.5 Rubber Hose
- 47 – \* 7 x t4.5 Rubber Hose
- 48 – \* 5 x t4.5 Rubber Hose
- 49 – Diesel Fuel Inlet
- 50 – Fuel Overflow
- 51 – To Block
- 52 – From Head
- 53 – To Camshaft
- 54 – To Oil Pan
- 55 – Detail of Part A
- 56 – Detail of Part B
- 57 – Detail of Part C
- 58 – Detail of Part D

4JH4-TE with KM4A / ZF25A

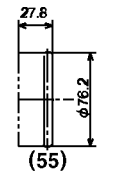
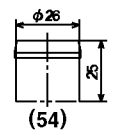
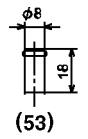
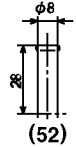
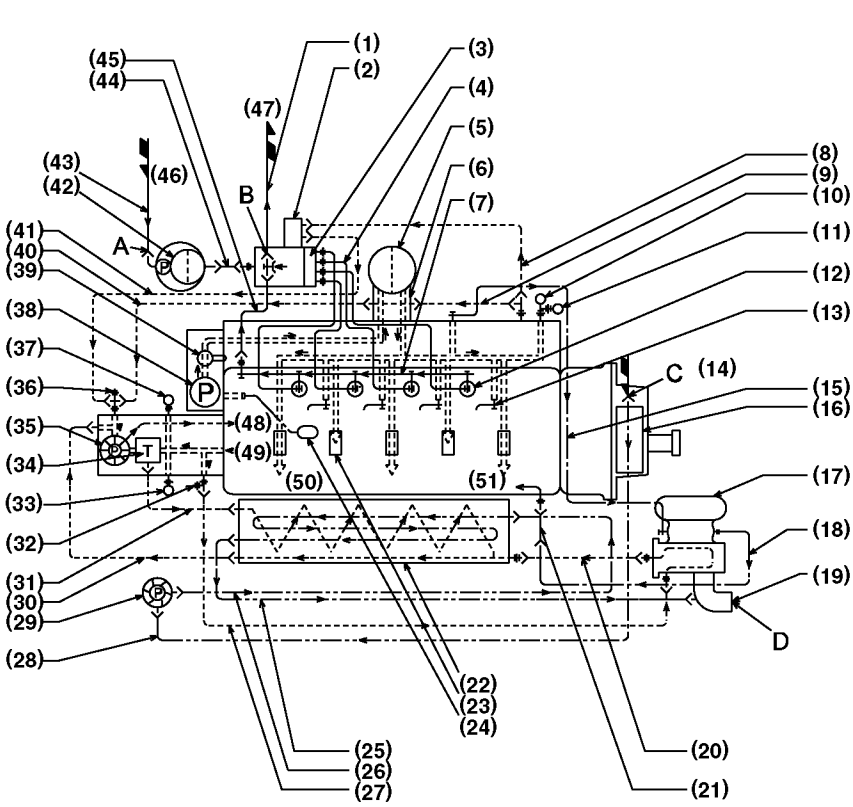


Figure 10

0004183

- |   |                             |
|---|-----------------------------|
| 1 – * 7 x t4.5 Rubber Hose                    | 45 – * 5 x t4.5 Rubber Hose |
| 2 – W-C S.D.                                  | 46 – Diesel Fuel Inlet      |
| 3 – Fuel Injection Pump                       | 47 – Fuel Overflow          |
| 4 – Fuel High-Pressure Pipe 6.35 x t2.175 STS | 48 – To Block               |
| 5 – Lubrication Oil Filter (cartridge type)   | 49 – From Head              |
| 6 – Lubrication Oil Cooler                    | 50 – To Camshaft            |
| 7 – 4.76 x t0.7 Double-Walled Steel Tube      | 51 – To Oil Pan             |
| 8 – 10 x t3 Rubber Hose                       | 52 – Detail of Part A       |
| 9 – 13 x t3.5 Rubber Hose                     | 53 – Detail of Part B       |
| 10 – Oil Pressure Switch                      | 54 – Detail of Part C       |
| 11 – Oil Pressure Sensor                      | 55 – Detail of Part D       |
| 12 – Fuel Injection Nozzle                    |                             |
| 13 – Piston Cooling Oil Jet                   |                             |
| 14 – Seawater Inlet                           |                             |
| 15 – 8 x t0.8 STKM                            |                             |
| 16 – Clutch Lubrication Oil Cooler            |                             |
| 17 – Turbocharger                             |                             |
| 18 – 17 x t1.2 STKM                           |                             |
| 19 – Mixing Elbow                             |                             |
| 20 – 8.5 x t3.5 Rubber Hose                   |                             |
| 21 – 17 x t3 Rubber Hose                      |                             |
| 22 – Heat Exchanger                           |                             |
| 23 – Main Bearing                             |                             |
| 24 – Lubrication Oil Inlet Filter             |                             |
| 25 – 25.4 x t4.3 Rubber Hose                  |                             |
| 26 – 25.4 x t4.3 Rubber Hose                  |                             |
| 27 – 7.5 x t2.5 Rubber Hose                   |                             |
| 28 – 25.4 x t4.3 Rubber Hose                  |                             |
| 29 – Cooling Water Pump (seawater)            |                             |
| 30 – 28 x t4 Rubber Hose                      |                             |
| 31 – 28 x t4 Rubber Hose                      |                             |
| 32 – Hot Water Connection Outlet              |                             |
| 33 – Coolant Temperature Switch               |                             |
| 34 – Thermostat                               |                             |
| 35 – Cooling Water Pump (coolant)             |                             |
| 36 – Hot Water Connection Return              |                             |
| 37 – Coolant Temperature Sensor (option)      |                             |
| 38 – Lubrication Oil Pump                     |                             |
| 39 – Pressure Control Valve                   |                             |
| 40 – 13 x t3.5 Rubber Hose                    |                             |
| 41 – 10 x t3 Rubber Hose                      |                             |
| 42 – Diesel Fuel Filter (cartridge type)      |                             |
| 43 – * 7 x t4.5 Rubber Hose                   |                             |
| 44 – * 7 x t4.5 Rubber Hose                   |                             |

4JH4-TE with SD60 Sail Drive

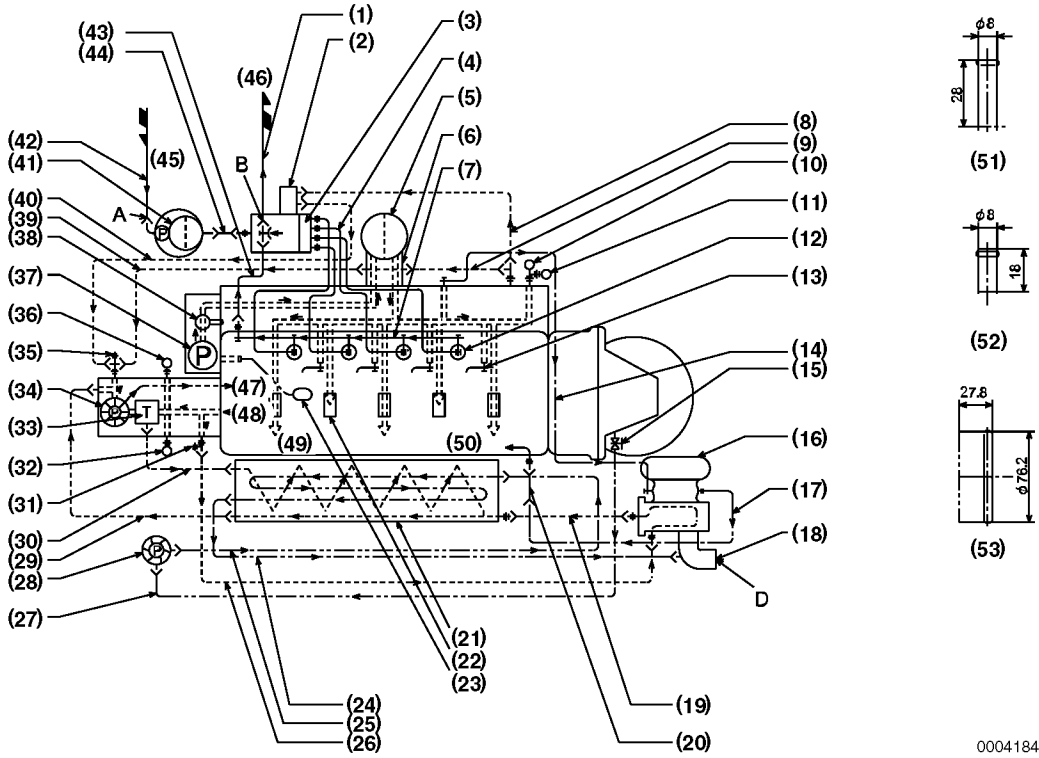


Figure 11

0004184

- |   |                        |
|---|------------------------|
| 1 – * 7 x t4.5 Rubber Hose                    | 45 – Diesel Fuel Inlet |
| 2 – W-C S.D.                                  | 46 – Fuel Overflow     |
| 3 – Fuel Injection Pump                       | 47 – To Block          |
| 4 – Fuel High-Pressure Pipe 6.35 x t2.175 STS | 48 – From Head         |
| 5 – Lubrication Oil Filter (cartridge type)   | 49 – To Camshaft       |
| 6 – Lubrication Oil Cooler                    | 50 – To Oil Pan        |
| 7 – 4.76 x t0.7 Double-Walled Steel Tube      | 51 – Detail of Part A  |
| 8 – 10 x t3 Rubber Hose                       | 52 – Detail of Part B  |
| 9 – 13 x t3.5 Rubber Hose                     | 53 – Detail of Part D  |
| 10 – Oil Pressure Switch                      |                        |
| 11 – Oil Pressure Sensor (option)             |                        |
| 12 – Fuel Injection Nozzle                    |                        |
| 13 – Piston Cooling Oil Jet                   |                        |
| 14 – 8 x t0.8 STKM                            |                        |
| 15 – Seacock                                  |                        |
| 16 – Turbocharger                             |                        |
| 17 – 17 x t1.2 STKM                           |                        |
| 18 – Mixing Elbow                             |                        |
| 19 – 8.5 x t3.5 Rubber Hose                   |                        |
| 20 – 17 x t3 Rubber Hose                      |                        |
| 21 – Heat Exchanger                           |                        |
| 22 – Main Bearing                             |                        |
| 23 – Lubrication Oil Inlet Filter             |                        |
| 24 – 25.4 x t4.3 Rubber Hose                  |                        |
| 25 – 25.4 x t4.3 Rubber Hose                  |                        |
| 26 – 7.5 x t2.5 Rubber Hose                   |                        |
| 27 – 25.4 x t4.3 Rubber Hose                  |                        |
| 28 – Cooling Water Pump (seawater)            |                        |
| 29 – 28 x t4 Rubber Hose                      |                        |
| 30 – 28 x t4 Rubber Hose                      |                        |
| 31 – Hot Water Connection Outlet              |                        |
| 32 – Coolant Temperature Switch               |                        |
| 33 – Thermostat                               |                        |
| 34 – Cooling Water Pump (coolant)             |                        |
| 35 – Hot Water Connection Return              |                        |
| 36 – Coolant Temperature Sensor (option)      |                        |
| 37 – Lubrication Oil Pump                     |                        |
| 38 – Pressure Control Valve                   |                        |
| 39 – 13 x t3.5 Rubber Hose                    |                        |
| 40 – 10 x t3 Rubber Hose                      |                        |
| 41 – Diesel Fuel Filter (cartridge type)      |                        |
| 42 – * 7 x t4.5 Rubber Hose                   |                        |
| 43 – * 7 x t4.5 Rubber Hose                   |                        |
| 44 – * 5 x t4.5 Rubber Hose                   |                        |

4JH4-HTE with KM4A2

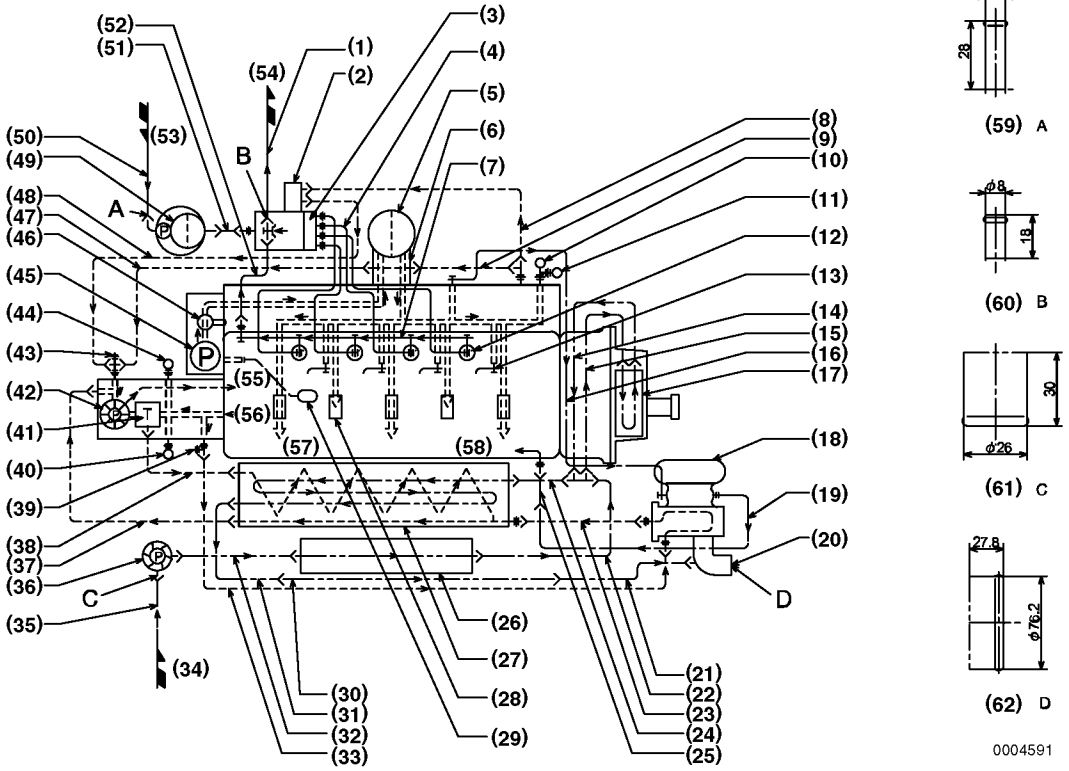
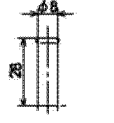
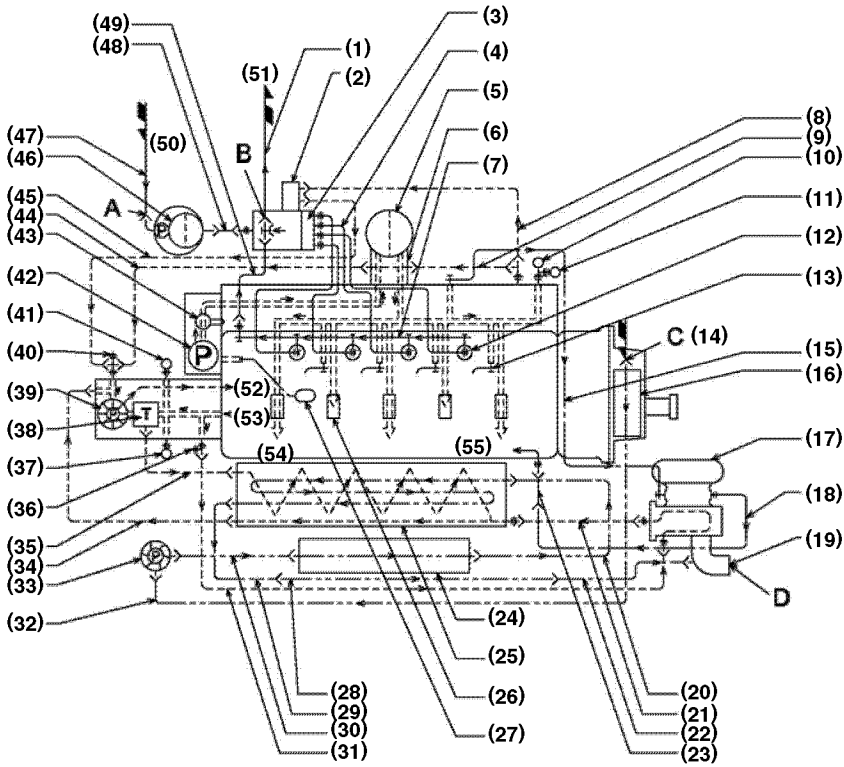


Figure 12

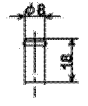


- 1 – \* 7 x t4.5 Rubber Hose
- 2 – W-C S.D.
- 3 – Fuel Injection Pump
- 4 – Fuel High-Pressure Pipe 6.35 x t2.175 STS
- 5 – Lubrication Oil Filter (cartridge type)
- 6 – Lubrication Oil Cooler
- 7 – 4.76 x t0.7 Double-Walled Steel Tube
- 8 – 10 x t3 Rubber Hose
- 9 – 13 x t3.5 Rubber Hose
- 10 – Oil Pressure Switch
- 11 – Oil Pressure Sensor (option)
- 12 – Fuel Injection Nozzle
- 13 – Piston Cooling Oil Jet
- 14 – 13 x t4 Rubber Hose
- 15 – 13 x t4 Rubber Hose
- 16 – 8 x t0.8 STKM
- 17 – Clutch Lubrication Oil Cooler
- 18 – Turbocharger
- 19 – 17 x t1.2 STKM
- 20 – Mixing Elbow
- 21 – 25.4 x t4.3 Rubber Hose
- 22 – 25.4 x t4.3 Rubber Hose
- 23 – 8.5 x t3.5 Rubber Hose
- 24 – 25.4 x t4.3 Rubber Hose
- 25 – 17 x t3 Rubber Hose
- 26 – Air cooler
- 27 – Heat Exchanger
- 28 – Main Bearing
- 29 – Lubrication Oil Inlet Filter
- 30 – 25 x t2 C1201T
- 31 – 25.4 x t4.3 Rubber Hose
- 32 – 25.4 x t4.3 Rubber Hose
- 33 – 7.5 x t2.5 Rubber Hose
- 34 – Seawater Inlet
- 35 – 25.4 x t4.3 Rubber Hose
- 36 – Cooling Water Pump (seawater)
- 37 – 28 x t4 Rubber Hose
- 38 – 28 x t4 Rubber Hose
- 39 – Hot Water Connection Outlet
- 40 – Coolant Temperature Switch
- 41 – Thermostat
- 42 – Cooling Water Pump (coolant)
- 43 – Hot Water Connection Return
- 44 – Coolant Temperature Sensor (option)
- 45 – Lubrication Oil Pump
- 46 – Pressure Control Valve
- 47 – 13 x t3.5 Rubber Hose
- 48 – 10 x t3 Rubber Hose
- 49 – Diesel Fuel Filter (cartridge type)
- 50 – \* 7 x t4.5 Rubber Hose
- 51 – \* 7 x t4.5 Rubber Hose
- 52 – \* 5 x t4.5 Rubber Hose
- 53 – Diesel Fuel Inlet
- 54 – Diesel Fuel Overflow
- 55 – To Block
- 56 – From Head
- 57 – To Camshaft
- 58 – To Oil Pan
- 59 – Detail of Part A
- 60 – Detail of Part B
- 61 – Detail of Part C
- 62 – Detail of Part B

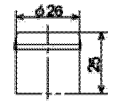
4JH4-HTE with KMH4A / ZF25A



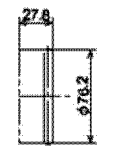
(56) A



(57) B



(58) C



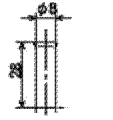
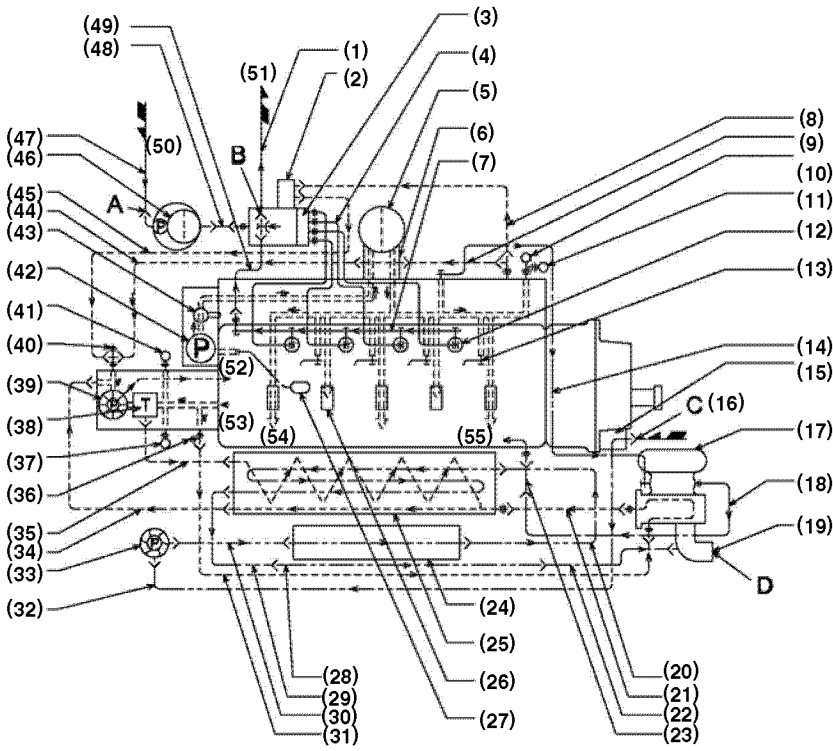
(59) D

0004592

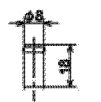
Figure 13

- |   |                             |
|---|-----------------------------|
| 1 – * 7 x t4.5 Rubber Hose                    | 46 – Diesel Fuel Filter     |
| 2 – W-C S.D.                                  | 47 – * 7 x t4.5 Rubber Hose |
| 3 – Fuel Injection Pump                       | 48 – * 7 x t4.5 Rubber Hose |
| 4 – Fuel High-Pressure Pipe 6.35 x t2.175 STS | 49 – * 5 x t4.5 Rubber Hose |
| 5 – Lubrication Oil Filter (cartridge type)   | 50 – Diesel Fuel Inlet      |
| 6 – Lubrication Oil Cooler                    | 51 – Fuel Overflow          |
| 7 – 4.76 x t0.7 Double-Walled Steel Tube      | 52 – To Block               |
| 8 – 10 x t3 Rubber Hose                       | 53 – From Head              |
| 9 – 13 x t3.5 Rubber Hose                     | 54 – To Camshaft            |
| 10 – Oil Pressure Switch                      | 55 – To Oil Pan             |
| 11 – Oil Pressure Sensor (option)             | 56 – Detail of Part A       |
| 12 – Fuel Injection Nozzle                    | 57 – Detail of Part B       |
| 13 – Piston Cooling Oil Jet                   | 58 – Detail of Part C       |
| 14 – Seawater Inlet                           | 59 – Detail of Part D       |
| 15 – 8 x t0.8 STKM                            |                             |
| 16 – Clutch Lubrication Oil Cooler            |                             |
| 17 – Turbocharger                             |                             |
| 18 – 17 x t1.2 STKM                           |                             |
| 19 – Mixing Elbow                             |                             |
| 20 – 25.4 x t4.3 Rubber Hose                  |                             |
| 21 – 8.5 x t3.5 Rubber Hose                   |                             |
| 22 – 25.4 x t4.3 Rubber Hose                  |                             |
| 23 – 17 x t3 Rubber Hose                      |                             |
| 24 – Air cooler                               |                             |
| 25 – Heat Exchanger                           |                             |
| 26 – Main Bearing                             |                             |
| 27 – Lubrication Oil Inlet Filter             |                             |
| 28 – 25 x t2 C1201T                           |                             |
| 29 – 25.4 x t4.3 Rubber Hose                  |                             |
| 30 – 25.4 x t4.3 Rubber Hose                  |                             |
| 31 – 7.5 x t2.5 Rubber Hose                   |                             |
| 32 – 25.4 x t4.3 Rubber Hose                  |                             |
| 33 – Cooling Water Pump (seawater)            |                             |
| 34 – 28 x t4 Rubber Hose                      |                             |
| 35 – 28 x t4 Rubber Hose                      |                             |
| 36 – Hot Water Connection Outlet              |                             |
| 37 – Coolant Temperature Switch               |                             |
| 38 – Thermostat                               |                             |
| 39 – Cooling Water Pump (coolant)             |                             |
| 40 – Hot Water Connection Return              |                             |
| 41 – Coolant Temperature Sensor (option)      |                             |
| 42 – Lubrication Oil Pump                     |                             |
| 43 – Pressure Control Valve                   |                             |
| 44 – 13 x t3.5 Rubber Hose                    |                             |
| 45 – 10 x t3 Rubber Hose                      |                             |

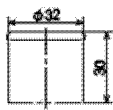
4JH4-HTE with ZF30M



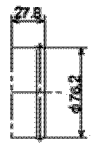
(56) A



(57) B



(58) C



(59) D

0004593

Figure 14

- |   |                             |
|---|-----------------------------|
| 1 – * 7 x t4.5 Rubber Hose                    | 46 – Diesel Fuel Filter     |
| 2 – W-C S.D.                                  | 47 – * 7 x t4.5 Rubber Hose |
| 3 – Fuel Injection Pump                       | 48 – * 7 x t4.5 Rubber Hose |
| 4 – Fuel High-Pressure Pipe 6.35 x t2.175 STS | 49 – * 5 x t4.5 Rubber Hose |
| 5 – Lubrication Oil Filter (cartridge type)   | 50 – Diesel Fuel Inlet      |
| 6 – Lubrication Oil Cooler                    | 51 – Fuel Overflow          |
| 7 – 4.76 x t0.7 Double-Walled Steel Tube      | 52 – To Block               |
| 8 – 10 x t3 Rubber Hose                       | 53 – From Head              |
| 9 – 13 x t3.5 Rubber Hose                     | 54 – To Camshaft            |
| 10 – Oil Pressure Switch                      | 55 – To Oil Pan             |
| 11 – Oil Pressure Sensor (option)             | 56 – Detail of Part A       |
| 12 – Fuel Injection Nozzle                    | 57 – Detail of Part B       |
| 13 – Piston Cooling Oil Jet                   | 58 – Detail of Part C       |
| 14 – Seawater Inlet                           | 59 – Detail of Part D       |
| 15 – 8 x t0.8 STKM                            |                             |
| 16 – Clutch Lubrication Oil Cooler            |                             |
| 17 – Turbocharger                             |                             |
| 18 – 17 x t1.2 STKM                           |                             |
| 19 – Mixing Elbow                             |                             |
| 20 – 25.4 x t4.3 Rubber Hose                  |                             |
| 21 – 8.5 x t3.5 Rubber Hose                   |                             |
| 22 – 25.4 x t4.3 Rubber Hose                  |                             |
| 23 – 17 x t3 Rubber Hose                      |                             |
| 24 – Air cooler                               |                             |
| 25 – Heat Exchanger                           |                             |
| 26 – Main Bearing                             |                             |
| 27 – Lubrication Oil Inlet Filter             |                             |
| 28 – 25 x t2 C1201T                           |                             |
| 29 – 25.4 x t4.3 Rubber Hose                  |                             |
| 30 – 25.4 x t4.3 Rubber Hose                  |                             |
| 31 – 7.5 x t2.5 Rubber Hose                   |                             |
| 32 – 25.4 x t4.3 Rubber Hose                  |                             |
| 33 – Cooling Water Pump (seawater)            |                             |
| 34 – 28 x t4 Rubber Hose                      |                             |
| 35 – 28 x t4 Rubber Hose                      |                             |
| 36 – Hot Water Connection Outlet              |                             |
| 37 – Coolant Temperature Switch               |                             |
| 38 – Thermostat                               |                             |
| 39 – Cooling Water Pump (coolant)             |                             |
| 40 – Hot Water Connection Return              |                             |
| 41 – Coolant Temperature Sensor (option)      |                             |
| 42 – Lubrication Oil Pump                     |                             |
| 43 – Pressure Control Valve                   |                             |
| 44 – 13 x t3.5 Rubber Hose                    |                             |
| 45 – 10 x t3 Rubber Hose                      |                             |

**This Page Intentionally Left Blank**

## WIRING DIAGRAMS

| Color Coding |                   | Engine Harness             |
|--------------|-------------------|----------------------------|
| R            | Red               | +                          |
| B            | Black             | -                          |
| W            | White             | Ignition                   |
| L            | Blue              | Air Heater / Glow (option) |
| RB           | Red / Black       | Alternator Exciter         |
| LB           | Blue / Black      | Alternator Charge Alarm    |
| YW           | Yellow / White    | Engine Oil Pressure Alarm  |
| YB           | Yellow / Black    | Engine Oil Pressure        |
| YG           | Yellow /<br>Green | Sail Drive Seal            |
| WL           | White / Blue      | Water Temperature Alarm    |
| WB           | White / Black     | Water Temperature          |
| V            | Purple            | ACC Power                  |
| BW           | Blue / White      | Fuel Tank Level            |
| GR           | Green / Red       | Fuel filter alarm          |
| O            | Orange            | Pulse for Tachometer       |
| WBr          | White / Brown     | Electric Stop              |

| Allowable Length by Cross Sectional Area of<br>Battery Cable |  |
|--|--|
| Section of Cable<br>mm <sup>2</sup> (in. <sup>2</sup> )      | Allowable Length<br>L = 1 + 2 + 3 m (ft) |
| 15 (0.023)   | < 0.86 (0.26)                            |
| 20 (0.031)   | < 1.3 (0.40)                             |
| 30 (0.046)   | < 2.3 (0.70)                             |
| 40 (0.062)   | < 2.8 (0.85)                             |
| 50 (0.077)   | < 3.5 (1.07)                             |
| 60 (0.093)   | < 4.1 (1.25)                             |

## 3JH5E, 3JH5AE, 4JH5E with B20/C30 (optional) type instrument panel

05J2824-01EN00

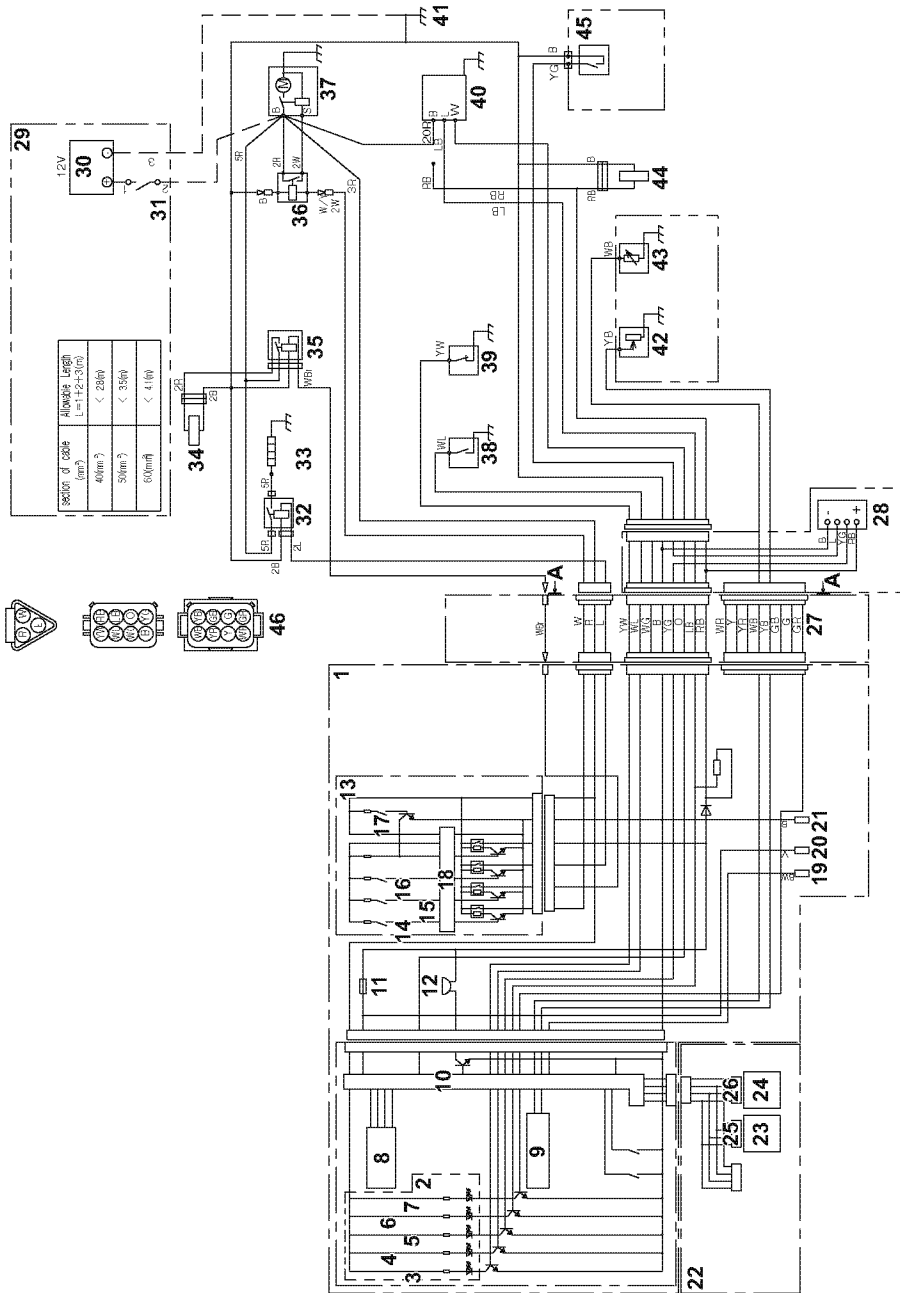


Figure 15

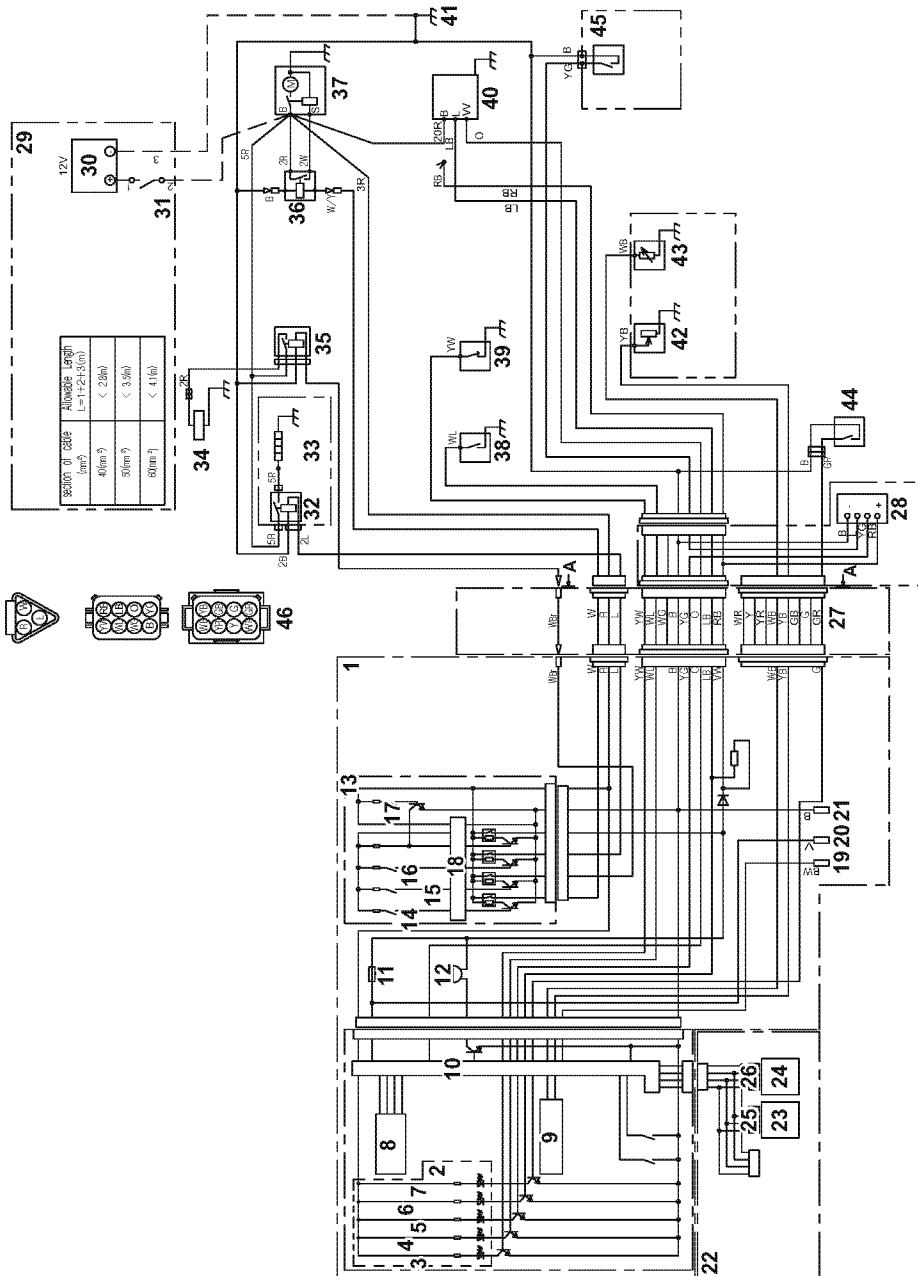


3JH5E, 3JH5AE, 4JH5E with B20/C30  
(optional) type instrument panel

- 1 – Instrument panel C20
- 2 – Alarm lamps (3 to 7)
- 3 – Engine oil low pressure indicator
- 4 – Coolant high temperature indicator
- 5 – Water in sail drive seal indicator
- 6 – Battery low charge indicator
- 7 – Water in fuel filter indicator
- 8 – Tachometer
- 9 – Segmented display
- 10 – Control unit (tacho gauge)
- 11 – Fuse 3 A
- 12 – Buzzer
- 13 – Switch module (14 to 18)
- 14 – Start switch
- 15 – Stop switch
- 16 – Glow switch
- 17 – Power switch
- 18 – Control unit (switch module)
- 19 – Fuel tank level sensor input
- 20 – ACC power
- 21 – ACC GND
- 22 – Panel kit, C30 (Medallion) (option)
- 23 – Coolant temperature gauge
- 24 – Engine oil pressure gauge
- 25 – Control unit (coolant temperature gauge)
- 26 – Control unit (engine oil pressure gauge)
- 27 – Wire harness
- 28 – Water in sail drive seal sensor amplifier (sail drive only)
- 29 – Procured by customer
- 30 – Battery
- 31 – Battery switch
- 32 – Air heater relay
- 33 – Air heater
- 34 – Engine stop solenoid
- 35 – Stop relay
- 36 – Starter relay
- 37 – Starter
- 38 – Coolant temperature switch
- 39 – Engine oil pressure switch

- 40 – Alternator
- 41 – Ground
- 42 – Oil pressure sender
- 43 – Coolant temperature sender
- 44 – Fuel feed pump
- 45 – Water in sail drive seal sensor (sail drive only)
- 46 – Details of coupler (wire harness, view from A-A)

## 4JH4-TE, 4JH4-HTE with B20/C30 (optional) type instrument panel



053916-01B000

Figure 16

**4JH4-TE, 4JH4-HTE with B20/C30  
(optional) type instrument panel**

- 1 – Instrument panel C20
- 2 – Alarm lamps (3 to 7)
- 3 – Engine oil low pressure indicator
- 4 – Coolant high temperature indicator
- 5 – Water in sail drive seal indicator
- 6 – Battery low charge indicator
- 7 – Water in fuel filter indicator
- 8 – Tachometer
- 9 – Segmented display
- 10 – Control unit (tacho gauge)
- 11 – Fuse 3 A
- 12 – Buzzer
- 13 – Switch module (14 to 18)
- 14 – Start switch
- 15 – Stop switch
- 16 – Glow switch
- 17 – Power switch
- 18 – Control unit (switch module)
- 19 – Fuel tank level sensor input
- 20 – ACC power
- 21 – ACC GND
- 22 – Panel kit, C30 (Medallion) (option)
- 23 – Coolant temperature gauge
- 24 – Engine oil pressure gauge
- 25 – Control unit (coolant temperature gauge)
- 26 – Control unit (engine oil pressure gauge)
- 27 – Wire harness
- 28 – Water in sail drive seal sensor amplifier (sail drive only)
- 29 – Procured by customer
- 30 – Battery
- 31 – Battery switch
- 32 – Air heater relay
- 33 – Air heater
- 34 – Engine stop solenoid
- 35 – Stop relay
- 36 – Starter relay
- 37 – Starter
- 38 – Coolant temperature switch
- 39 – Engine oil pressure switch

- 40 – Alternator
- 41 – Ground
- 42 – Oil pressure sender
- 43 – Coolant temperature sender
- 44 – Fuel filter switch
- 45 – Water in sail drive seal sensor (sail drive only)
- 46 – Details of coupler (wire harness, view from A-A)

**This Page Intentionally Left Blank**

# WARRANTY USA ONLY

## YANMAR CO., LTD. LIMITED EMISSION CONTROL SYSTEM WARRANTY - USA ONLY

### EPA and ARB Emission control Label for 3JH5AE

| EMISSION CONTROL INFORMATION   |                            |
|--|----------------------------|
| THIS ENGINE COMPLIES WITH U.S.EPA MARINE AND CALIFORNIA OFF-ROAD REGULATIONS FOR 2020 M.Y. DIESEL ENGINES.<br>ULTRA LOW SULFUR DIESEL FUEL ONLY. |                            |
| ENGINE FAMILY: LYDXN1.64D3N  | DISPLACEMENT: 1.642 LITERS |
| ENGINE MODEL: 3JH5AE   | E.C.S.: EM DFI             |
| FUEL RATE: 31.4MM <sup>3</sup> /STROKE @ 28.7kW / 3000RPM (19≤kW<37)   |                            |
| EPA STANDARDS CO:5.5g/kW-hr PM:0.20g/kW-hr<br>EPA F.E.L.NOx+HC:7.5g/kW-hr  |                            |
| APPLICATION:VARIABLE-SPEED PROPULSION ENGINES USED WITH<br>FIXED-PITCH PROPELLERS.   |                            |
| <b>YANMAR</b>  | YANMAR CO.,LTD.            |

129271-07720-L

**Figure 1**

*Note: From 2012, the 4JH4-HTE engine does not comply with the EPA emission control standards. From 2014, the 3JH5E, 4JH5E, and 4JH4-TE engines do not comply with the EPA emission control standards.*

**This Page Intentionally Left Blank**

# YANMAR EMISSION CONTROL SYSTEM WARRANTY STATEMENT

---

## YOUR WARRANTY RIGHTS AND OBLIGATIONS:

Yanmar Co., Ltd. (Yanmar) is pleased to explain emission control system warranty on your 2020, 2021 or 2022 model year marine compression-ignition (CI) engine. New marine CI engines must be designed, built and equipped to meet stringent anti-smog standards. Yanmar must warrant the emission control system on your marine CI engine for the periods of time listed below provided there has been no abuse, neglect or improper maintenance of your engine.

Your emission control system may include parts such as the fuel injection system, the air induction system and other emission-related assemblies.

Where a warrantable condition exists, Yanmar will repair your marine CI engine at no cost to you including diagnosis, parts and labor.

## Yanmar's warranty coverage:

The 2020, 2021 or 2022 model year marine CI engines are warranted for a period of five (5) years or 3000 hours of operation, whichever occurs first.

| Engine Model             | Warranty Period  |
|--------------------------|--|
| 3JH5AE<br>(19 ≤ kW < 37) | <b>60 months or 3,000 hours of use, whichever comes first.</b> |

If any emission-related part on your marine CI engine is found to be defective during the applicable warranty period, the part will be replaced by Yanmar.

When a measurement device of use hours is not equipped, warranties apply a period of use months.

This warranty is transferable to each subsequent purchaser for the duration of the warranty period. Yanmar recommends that repair or replacement of any warranted parts be performed at an authorized Yanmar dealer or distributor.

# YANMAR EMISSION CONTROL SYSTEM WARRANTY STATEMENT

---

Warranted parts not scheduled for replacement as required maintenance in the *Operation Manual* shall be warranted for the warranty period. Warranted parts scheduled for replacement as required maintenance in the operation manual are warranted for the period of time prior to the first scheduled replacement. Any part repaired or replaced under warranty shall be warranted for the remaining warranty period.

During the warranty period, Yanmar is liable for damages to other engine components caused by the failure of any warranted part during the warranty period.

Any replacement part which is functionally identical to the original equipment part in all respects may be used in the maintenance or repair of your engine, and shall not reduce Yanmar's warranty obligations. Add-on or modified parts that are not exempted may not be used. The use of any non-exempted add-on or modified parts shall be grounds for disallowing a warranty.

## Warranted Parts:

This warranty covers engine components that are a part of the emission control system of the engine as delivered by Yanmar to the original retail purchaser. Such components may include the following:

- Fuel Injection System
- Intake Manifold
- Exhaust Manifold
- Positive Crankcase Ventilation (PCV) System

Since emissions-related parts may vary slightly between models, certain models may not contain all of these parts and other models may contain the functional equivalents.

## Exclusions:

Failures other than those arising from defects in material and / or workmanship are not covered by this warranty. The warranty does not extend to the following: malfunctions caused by abuse, misuse, improper adjustment, modification, alteration, tampering, disconnection, improper or inadequate maintenance or use of non-recommended fuels and lubricating oils; accident-caused damage, and replacement of expendable items made in connection with scheduled maintenance. Yanmar disclaims any responsibility for incidental or consequential damages such as loss of time, inconvenience, loss of use of equipment / engine or commercial loss.



## **Owners Warranty Responsibilities:**

- As the marine CI engine owner, you are responsible for the performance of the required maintenance listed in your operation manual. Yanmar recommends that you retain all receipts covering maintenance on your marine CI engine, but Yanmar cannot deny warranty solely for the lack of receipts or for your failure to ensure the performance of all scheduled maintenance.
- Your marine CI engine is designed to operate on diesel fuel only. Use of any other fuel may result in your marine CI engine no longer operating in compliance with applicable emission requirements.
- You are responsible for initiating the warranty process. You are responsible for presenting your marine engine to an authorized Yanmar dealer or distributor as soon as a problem exists.

## **Customer Assistance:**

If you have any questions regarding your warranty rights and responsibilities or would like information on the nearest authorized Yanmar dealer or distributor, you should consult Yanmar America Corporation for assistance.

### **Yanmar America Corporation**

Toll free telephone:

1-855-416-7091 or 1-800-872-2867

E-mail: [CS\\_support@yanmar.com](mailto:CS_support@yanmar.com)

Website: [us.yanmar.com](http://us.yanmar.com)





**Declaration of Conformity for Recreational Craft Propulsion Engines (inboard engines and stern drive engines without integral exhaust) with the requirements of Directive 2013/53/EU**  
(To be completed by manufacturer or, if mandated, authorised representative)

Name of engine manufacturer: Yanmar Co., Ltd.

Address: 1-32, Chayamachi, Kita-ku, Osaka

Town: \_\_\_\_\_ Post Code: 530-8311 Country: Japan

Name of Authorised Representative: Yanmar Marine International B.V.

Address: Brugplein 11

Town: Almere Post Code: 1332 BS Country: the Netherlands

Name of Notified Body for **exhaust emission assessment**: Société Nationale de Certification et d'Homologation

Address: 11, route de Luxembourg

Town: Sandweiler Post Code: L-5230 Country: Luxembourg ID Number: 0499

Conformity assessment module used for exhaust emissions:  B+C/C1  B+D  B+E  B+F  G  H  
or engine type-approved according to:  Directive 97/68/EC  EC Regulation No 595/2009

Other Community Directives applied: 2014/30/EU

**DESCRIPTION OF ENGINE TYPE(s)**

Main Propulsion ExhaustType:

- With integral exhaust  
 Without integral exhaust

Combustion Type:

- Internal combustion, Diesel (CI)  
 Internal combustion, Petrol (SI)  
 Other

Combustion cycle:

- 2 stroke  
 4 stroke

**IDENTIFICATION OF ENGINE(S) COVERED BY THIS DECLARATION OF CONFORMITY**

| Name of engine model or engine family:                      | Unique engine identification number(s) or engine family code(s) | EC Type-examination certificate or type-approval certificate number |
|---|---|---|
|   |   | SNCH*2013/53*2013/53*   |
| Engine family: RCD2-2YM15X1<br>Engine models: 2YM15, 3YM20  |   | 0049*00   |
| Engine family: RCD2-3YM30X1<br>Engine models: 3YM30AE       |   | 0052*00   |
| Engine family: RCD2-3JH5X1<br>Engine models: 3JH5E, 3JH5AE  |   | 0059*00   |
| Engine family: RCD2-4JH57X1<br>Engine models: 4JH57, 4JH45  |   | 0055*00   |
| Engine family: RCD2-4JH11X1<br>Engine models: 4JH110, 4JH80 |   | 0050*00   |
| Engine family: RCD2-3JH40X1<br>Engine models: 3JH40         |   | 0102*00   |

This declaration of conformity is issued under the sole responsibility of the manufacturer. I declare on behalf of the manufacturer that the recreational craft propulsion engine(s) mentioned above fulfil(s) the requirements specified in Article 4 (1) and Annex I of Directive 2013/53/EU.

Name / function: Shiori Nagata, President  
(identification of the person empowered to sign on behalf of the engine manufacturer or his authorised representative)

Signature and title:  President  
(or an equivalent marking)

Date and place of issue: (yy/mm/dd) 17/06/06, Yanmar Marine International B.V.

| Essential requirements<br><br>(reference to relevant articles in Annex IB & IC of the Directive)            | Harmonised standards<br>Full Application | Harmonised standards<br>Partial application, see tech. file | Other reference documents <sup>1</sup><br>Full Application | Other reference documents<br>Partial Application, see tech. file | Other proof of conformity<br>See technical file | Specify the harmonised <sup>2</sup> standards<br>or other reference documents used<br><br>(with year of publication like "EN ISO 8666:2002") |
|---|--|---|--|--|---|--|
|   |  |   |  |  |   |  |
| <b>Annex I.A - Design and Construction of products</b>  |  |   |  |  |   |  |
| Inboard Engine (Annex I A. 5.1.1)   | <input type="checkbox"/>                 | <input type="checkbox"/>                                    | <input type="checkbox"/>                                   | <input type="checkbox"/>   | <input type="checkbox"/>                        |  |
| Ventilation (Annex I A.5.1.2)   | <input type="checkbox"/>                 | <input type="checkbox"/>                                    | <input type="checkbox"/>                                   | <input type="checkbox"/>   | <input type="checkbox"/>                        |  |
| Exposed parts (Annex I A.5.1.3)   | <input type="checkbox"/>                 | <input type="checkbox"/>                                    | <input type="checkbox"/>                                   | <input type="checkbox"/>   | <input type="checkbox"/>                        |  |
| Fuel system - General (Annex I A.5.2.1)   | <input type="checkbox"/>                 | <input type="checkbox"/>                                    | <input type="checkbox"/>                                   | <input type="checkbox"/>   | <input type="checkbox"/>                        |  |
| Electrical System (Annex I A.5.3)   | <input type="checkbox"/>                 | <input type="checkbox"/>                                    | <input type="checkbox"/>                                   | <input type="checkbox"/>   | <input type="checkbox"/>                        |  |
| Steering System (Annex I A.5.4)   | <input type="checkbox"/>                 | <input type="checkbox"/>                                    | <input type="checkbox"/>                                   | <input type="checkbox"/>   | <input type="checkbox"/>                        |  |
| Fire protection - General (Annex I A.5.6.1)   | <input type="checkbox"/>                 | <input type="checkbox"/>                                    | <input type="checkbox"/>                                   | <input type="checkbox"/>   | <input type="checkbox"/>                        |  |
| Discharge prevention (Annex I A.5.8)  | <input type="checkbox"/>                 | <input type="checkbox"/>                                    | <input type="checkbox"/>                                   | <input type="checkbox"/>   | <input type="checkbox"/>                        |  |
| <b>Annex I.B – Exhaust Emissions</b>  |  |   |  |  |   |  |
| Propulsion Engine Identification (Annex I B.1)  | <input type="checkbox"/>                 | <input type="checkbox"/>                                    | <input type="checkbox"/>                                   | <input type="checkbox"/>   | <input type="checkbox"/>                        |  |
| Exhaust Emission Requirements (Annex I B. 2)  | <input checked="" type="checkbox"/>      | <input type="checkbox"/>                                    | <input type="checkbox"/>                                   | <input type="checkbox"/>   | <input type="checkbox"/>                        | EN ISO 18854: 2015   |
| Durability (Annex I B.3)  | <input type="checkbox"/>                 | <input type="checkbox"/>                                    | <input type="checkbox"/>                                   | <input type="checkbox"/>   | <input type="checkbox"/>                        |  |
| Owner's manual (Annex I B.4)  | <input type="checkbox"/>                 | <input type="checkbox"/>                                    | <input type="checkbox"/>                                   | <input type="checkbox"/>   | <input type="checkbox"/>                        |  |
| <b>Annex I.C – Noise Emissions</b>  |  |   |  |  |   |  |
| See Declaration of Conformity of the recreational craft in which the engine(s)<br>has (have) been installed |  |   |  |  |   |  |

<sup>1</sup> Such as non-harmonised standards, rules, regulations, guidelines, etc.

<sup>2</sup> Standards published in EU Official Journal

**This Page Intentionally Left Blank**

# YANMAR CO., LTD.

## ■ Large Power Products Management Division

### Quality Assurance Division

5-3-1, Tsukaguchi-honmachi, Amagasaki  
Hyogo, 661-0001, Japan  
Phone: +81-6-6428-3137 Fax: +81-6-6421-5549  
<https://www.yanmar.com/>

## ■ Yanmar Marine International B.V.

Brugplein 11, 1332 BS Almere-de Vaart, Netherlands  
Phone: +31-36-5493534 Fax: +31-36-5493219  
<http://www.yanmarmarine.com/>

---

### Overseas Office

---

## ■ Yanmar Europe B.V. (YEU)

Brugplein 11, 1332 BS Almere-de Vaart, Netherlands  
Phone: +31-36-5493200 Fax: +31-36-5493209  
<http://www.yanmar.com/eu/>

## ■ Yanmar Asia (Singapore) Corporation Pte. Ltd. (YASC)

4 Tuas Lane, Singapore 638613  
Phone: +65-6861-3855 Fax: +65-6862-5189  
<https://www.yanmar.com/sg/>

## ■ Yanmar America Corporation (YA)

101 International Parkway,  
Adairsville, GA 30103, U.S.A.  
Phone: +1-770-877-9894 Fax: +1-770-877-9009  
<http://www.yanmar.com/us/>

## ■ Yanmar Engine (Shanghai) Co., Ltd.

Room 1101-1106, No.757 Mengzi Road,  
Huangpu District, Shanghai 200023 PRC  
Phone: +86-21-2312-0638 Fax: +86-21-6880-8090  
<https://www.yanmar.com/cn/>

As of August 1st, 2019

## OPERATION MANUAL

3JH5E, 3JH5AE, 4JH5E,  
4JH4-TE, 4JH4-HTE

1st edition: August 2009  
4th edition: January 2017  
5th edition: December 2017  
5th edition 1st rev.: April 2018  
6th edition: December 2019

Issued by: YANMAR CO., LTD. Large Power Products Management Division

Edited by: YANMAR TECHNICAL SERVICE CO., LTD.

**YANMAR**

**YANMAR CO., LTD.**

<https://www.yanmar.com>

0AJHM-EN0025  
2019.12(YTSK)